

Powr-Flite®

PARTS LIST

SELF-CONTAINED CARPET EXTRACTOR

PFX900S

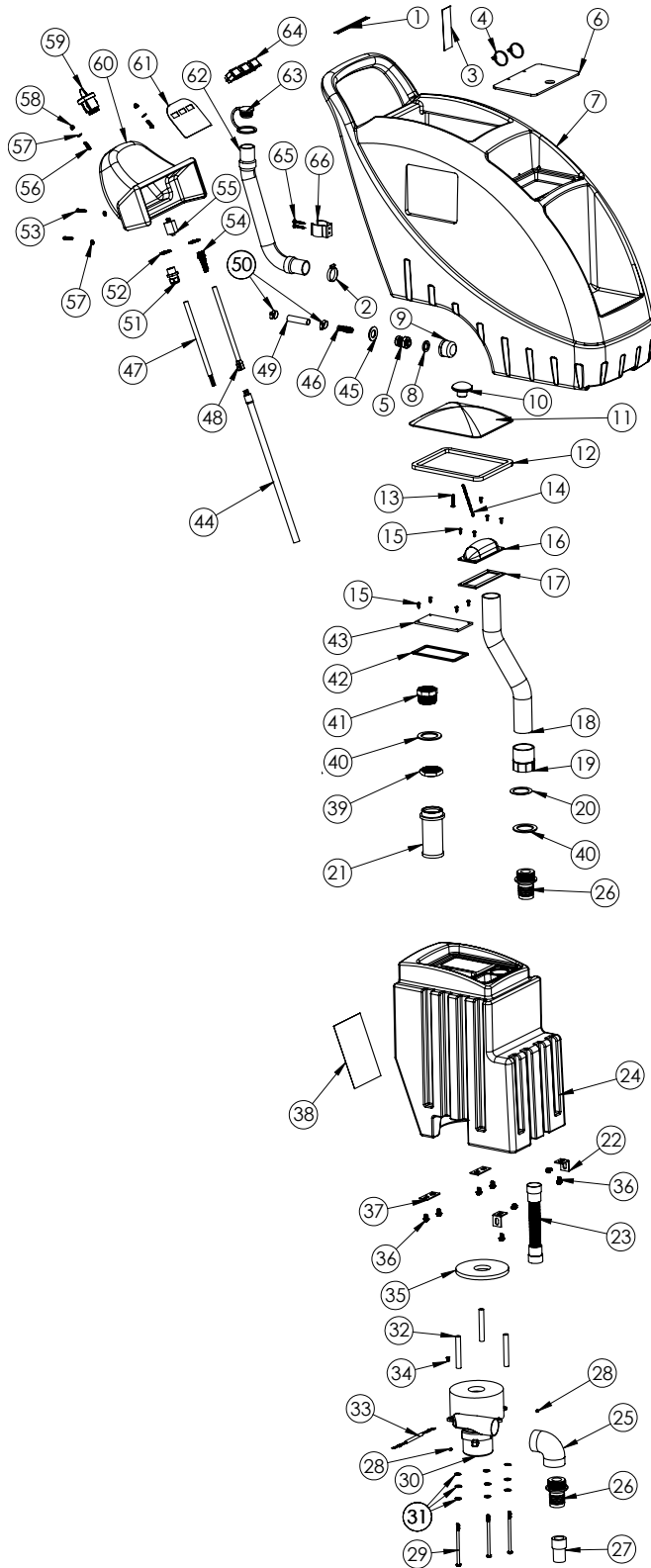


**WARNING: OPERATOR MUST READ AND UNDERSTAND THIS MANUAL
COMPLETELY BEFORE OPERATING THIS EQUIPMENT.**

Save These Instructions

SCHEMATICS - PARTS LISTS

TANK ASSEMBLY



SCHEMATICS - PARTS LISTS

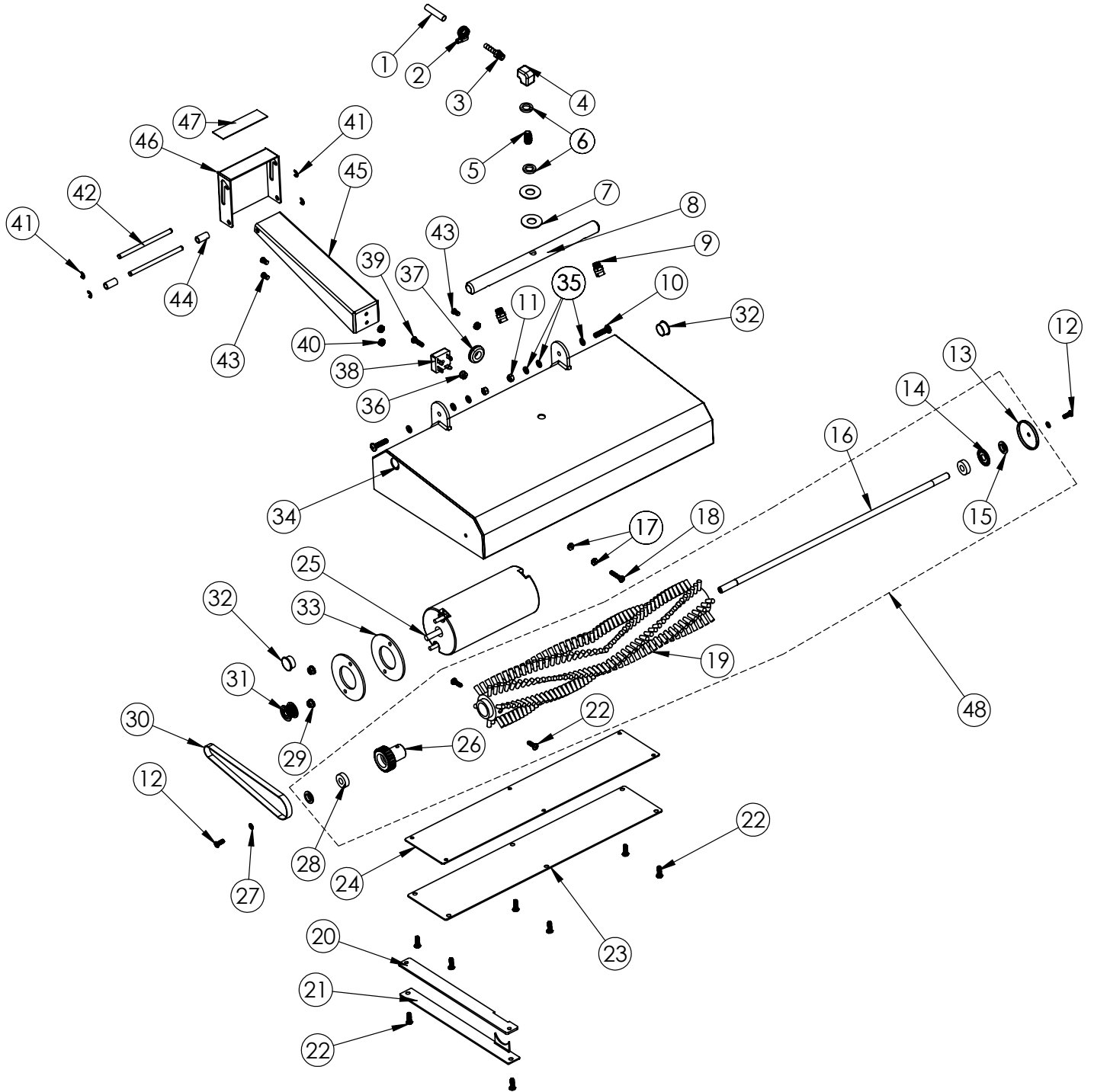
No.	Part No.	Qty	Description
1	X9134	1	Brush Warning Label
2	7DL005	1	Hose Clamp
3	X9125-1	1	Tank Capacity Label
4	X8150	2	Cable Tie 11"
5	PX48	1	Brass Bulkhead Fitting 3/4
6	X9081	1	Solution Tank Lid
7	X9042REPRO	1	Solution Tank
8	PX48G	1	Gasket
9	X9294	1	Pump Protection Filter
10	X9110	1	Large Dome Lid Knob
11	X9034-C	1	Large Dome Lid With Gasket
12	X9120-2	1	Large Dome Lid Spacer Gasket
13	7BS001	1	Screw 10-24 x 1/2
14	X9068	1	Chain
15	X8261SS	9	Screw #6 x 1/2
16	X9033	1	Small Dome
17	X9071	1	Small Dome Gasket
18	X9129	1	Vacuum Stack Assembly
19	PX63	1	Plastic Coupler 1-1/2" Slip x 1-1/2" FPT
20	18886	1	Washer
21	X9053	1	Float Cage & Heavy Ball
22	X9086	2	Tank Mount Bracket
23	X9092	1	Vacuum Hose 1.5" x 21"
24	X9041REPRO	1	Recovery Tank
25	PX11A	1	Plastic Elbow
26	PX25	2	Plastic Bulkhead Fitting
27	K1123	1	Expander 1-1/4" To 1-1/2"
28	X8222	2	Set Screw 1/4-20 x 3/16
29	X8288	3	Bolt 1/4-20 x 4-1/2"
30	72365B	1	Vacuum Motor 3 Stage 115V
31	X8858	9	Washer
32	72605a	3	Spacer .25" x 4"
33	X9841	1	Wiring Harness
34	x8284	1	Screw 8-32 x 3/8"
35	X9120-1	1	Vacuum Motor Gasket
36	X8209S	8	Screw 1/4-20 x 1/2"
37	X9085	2	Tank Mount Bracket
38	X9057	1	Operating Instruction Label
39	PX46	1	Nut
40	PX14A	2	Gasket

SCHEMATICS - PARTS LISTS

No.	Part No.	Qty	Description
41	X9075	1	Threaded Bushing
42	X9084	1	Gasket
43	X9080	1	Float Cover
44	32217	1	Cord 14/3 X 50' (Yellow)
45	72274A	1	Washer
46	7AT004	1	Barb 1/2 Hose 1/4 Male
47	X9067	1	Cable Assembly
48	72315A	1	Pigtail Cord (Yellow)
49	70079C	22"	Hose 1/2 Wire Reinforced (Inches)
50	7DL008	2	Hose Clamp
51	PD8	1	Strain Relief
52	X8008N	2	Lock Nut
53	X9135	2	Screw 10-32 x 7/8"
54	X8008P	1	Plastic Strain Relief
55	X1192	1	Circuit Breaker 2.5 Amp
56	7BR005	2	Screw 10-32 x 3/4"
57	7CM003	4	Washer
58	7DN004	2	Nut
59	X9200	1	3 Position Switch w/ Paddle 15A 125V
60	X9043REPRO	1	Housing Cover
61	X9093	1	Switch Panel Label
62	PAS37	1	Drain Hose
63	PAS36	1	Drain Hose Plug
64	X9007	3	Rocker Switch
65	X9098	2	Screw #10 x 1"
66	72173A	1	Spring Clip
	X1770		Recovery Tank Kit W/O Drain Hose, Cap, And Clamp

SCHEMATICS - PARTS LISTS

BRUSH ASSEMBLY



SCHEMATICS - PARTS LISTS

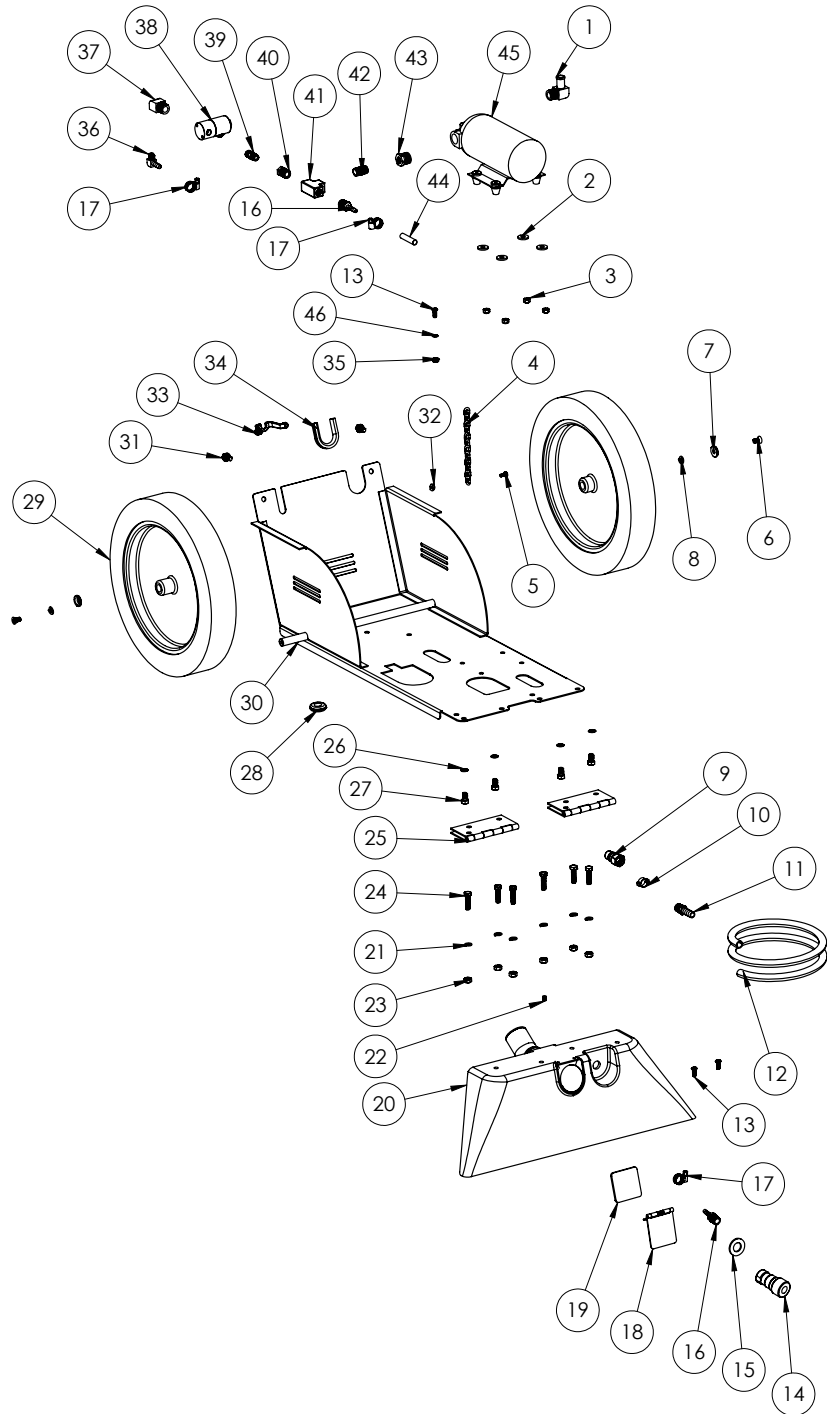
No.	Part No.	Qty	Description
1	71817A	1	Hose
2	7DL003	1	Hose Clamp
3	PC66	1	Barb 1/4H x 1/8M
4	7AK003	1	Elbow Union 1/8 NPT
5	PC45	1	1/8 Close Nipple
6	X8293	2	Nylon Washer
7	7CM004	2	Washer
8	X9021	1	Spray Manifold
9	X9139	2	Nozzle And Body
10	7CU003	2	Screw 1/4-20 x 1
11	X8237	2	Lock Nut
12	71651A	2	Screw 10-32 x 1/2
13	X9020	1	Thread Guard
14	X9019	1	Bearing Shield
15	X9018	2	Nylon Bearing Spacer
16	X9017	1	Brush Axle
17	X8241	2	Nut
18	7CU001	1	Screw 10-24 x 1
19	X9070	1	Brushroll 3 Dia. X 18 Chevron
20	X9150	1	Belt Cover Gasket
21	X9015B	1	Belt Cover
22	X9118	10	Screw 10-32 x 5/8
23	X9015A	1	Brush Motor Cover
24	X9126	1	Brush Motor Cover Gasket
25	X9002	1	Motor 115 VDC
26	X9117	1	Brush Pulley 24 Teeth
27	7CY001	2	Lock Washer, #10 Int Tooth
28	X9001	2	Bearing
29	X9169	2	Nut
30	X9004	1	Drive Belt
31	X9116	1	Drive Pulley w/2 Set Screws
32	X9174	2	Plug
33	X9099	2	Motor Spacer
34	X9015	1	Brush Housing Weldment Assy

SCHEMATICS - PARTS LISTS

No.	Part No.	Qty	Description
35	72241A	6	Nylon Washer
36	X8830	1	Nyloc Nut
37	X9100	1	1/2 Grommet
38	X1193	1	Rectifier 35 Amp
39	7BR005	1	Screw 10-32 x 3/4
40	7BF008	3	Nut
41	X9114	4	E Ring
42	X9030	2	Brush Foot Pedal Pin
43	7BH004	3	Screw 10-32 x 3/8
44	X9027	2	Brush Lift Pedal Spacer
45	X9107	1	Brush Lift Pedal Bracket
46	X9026	1	Brush Lift Pedal
47	X9122	1	Safety Walk Tape 1 x 60 Black
48	X9438	1	Complete Brush Assembly

SCHEMATICS - PARTS LISTS

BASE ASSEMBLY



SCHEMATICS - PARTS LISTS

No.	Part No.	Qty	Description
1	71507A	1	Elbow 1/2 H - 3/8 MPT
2	72667A	4	Rubber Washer
3	X8237	4	Nyloc Nut
4	X9144	1	Chain
5	72091A	1	Screw 10-24 x 3/8"
6	X8265	2	Screw 1/4-20 x 3/4"
7	X8020	2	Countersunk Washer
8	X8212	2	Lock Washer
9	PX5	1	Quick Connect 1/4 Male/Male
10	PX61A	1	1 Ear Clamp
11	PX85	1	Barb 1/4 X 3/8 Male/Male
12	PX3H	1	Solution Hose, 300PSI
13	71651A	3	Screw 10-32 x 1/2"
14	PX6	1	QD Coupler Female
15	19616	1	Washer
16	7AT003	2	Hose Barb 1/4 H - 1/4 M NPT
17	7DL003	3	Hose Clamp
18	X9096	1	Flip Door/Hinge & Spring
19	X9097	1	Flip Door Gasket
20	X9009A	1	Vacuum Shoe And Tube
21	7CL002	6	Lock Washer
22	X8222	1	Set Screw, 1/4-20 x 3/16"
23	7CN001	6	Nut
24	X8282	6	Bolt 1/4-20 x 1"
25	X9014	2	Tank Hinge
26	7CY002	4	Lock Washer Int Tooth
27	X8209	4	Screw 1/4-20 x 1/2"
28	X9100	1	Grommet
29	X9066	2	Wheel 12" x 1-3/4" Non-Marking
30	X9012	1	Chassis Weldment
31	X8209S	2	Screw 1/4-20 x 1/2"
32	X8241	1	Nut
33	X9111	1	Cord Clamp
34	X9109	1	Grommet

SCHEMATICS - PARTS LISTS

No.	Part No.	Qty	Description
35	7BF008	1	Nut
36	7AT006	1	Barb Elbow (90) 1/4-1/8
37	SW139	1	Elbow Street 1/8 90 Degree Brass
38	SW132	1	Solenoid 120V 250Psi
39	7CX001	1	Nipple Hex 1/8X1/8
40	7AG002	1	Bushing 1/4 - 1/8 NPT
41	7AV001	1	Tee Union 1/4 Npt
42	PX32	1	Nipple Close 1/4 Brass
43	PC20	1	Reducer 3/8" To 1/4"
44	71817A	22"	Hose, 1/4"
45	AQ120	1	Pump 120 PSI
46	7CY001	1	Lock Washer, #10 Int Tooth

For warranty information go to www.Powr-Flite.com

Powr-Flite[®]

A Tacony Company

3101 Wichita Court • Fort Worth, TX 76140-1755

1-800-880-2913 • Fax: 1-817-551-0719