

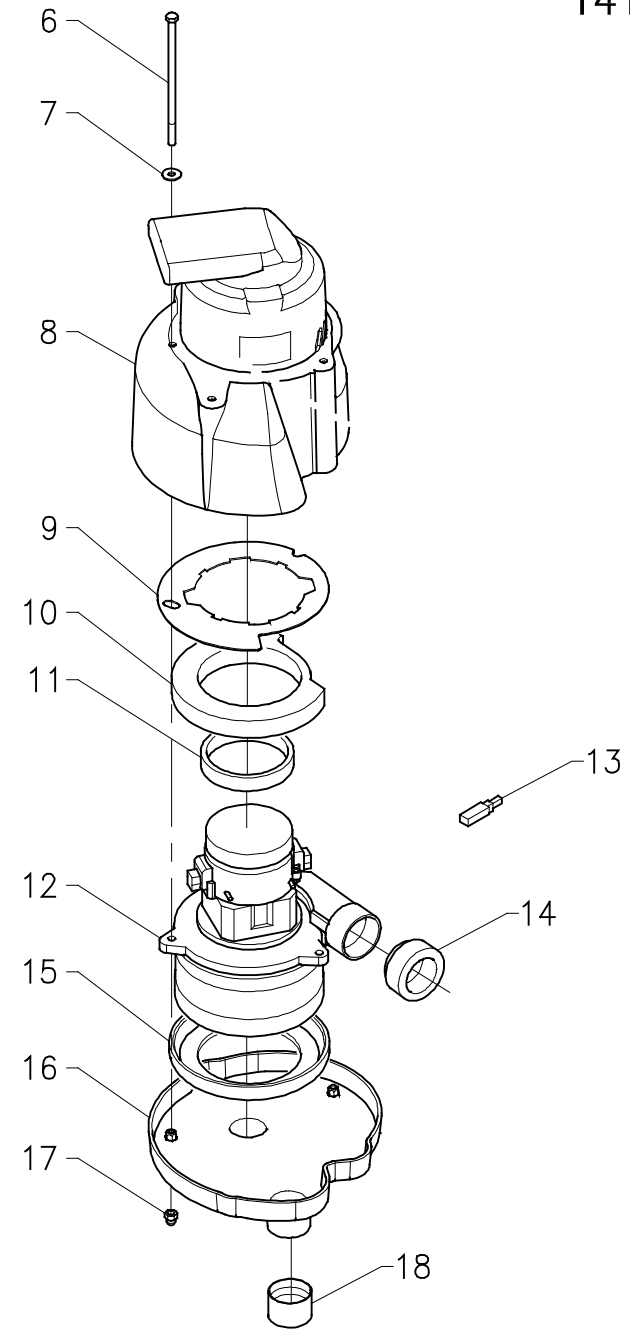
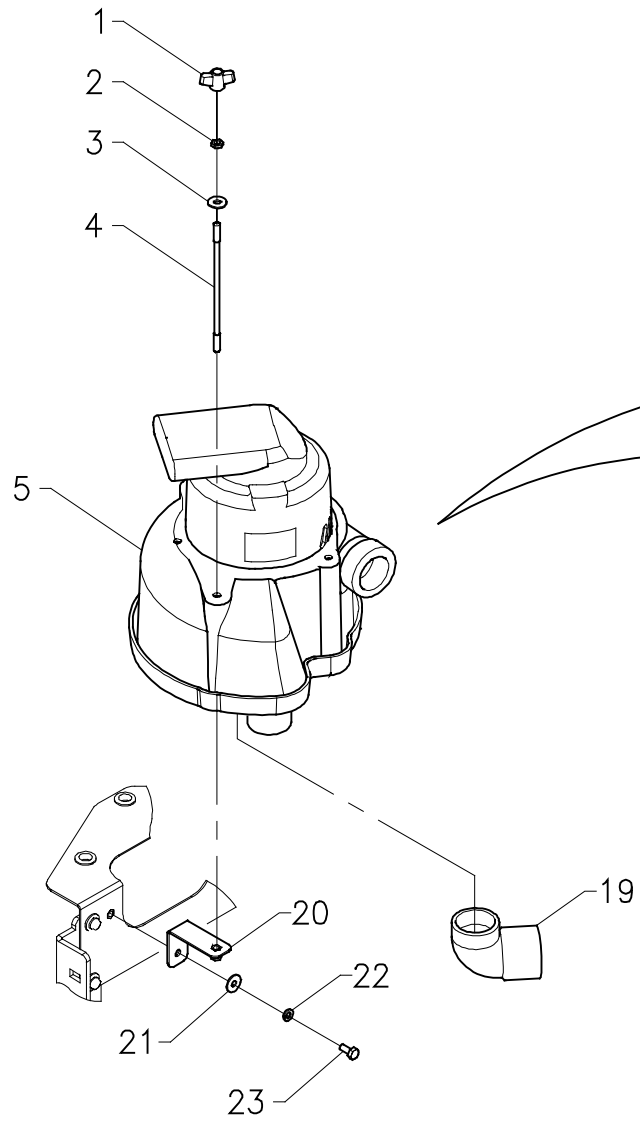


Opal80

Spare Parts Catalogue

Adiatek / Ecostory

July 2020

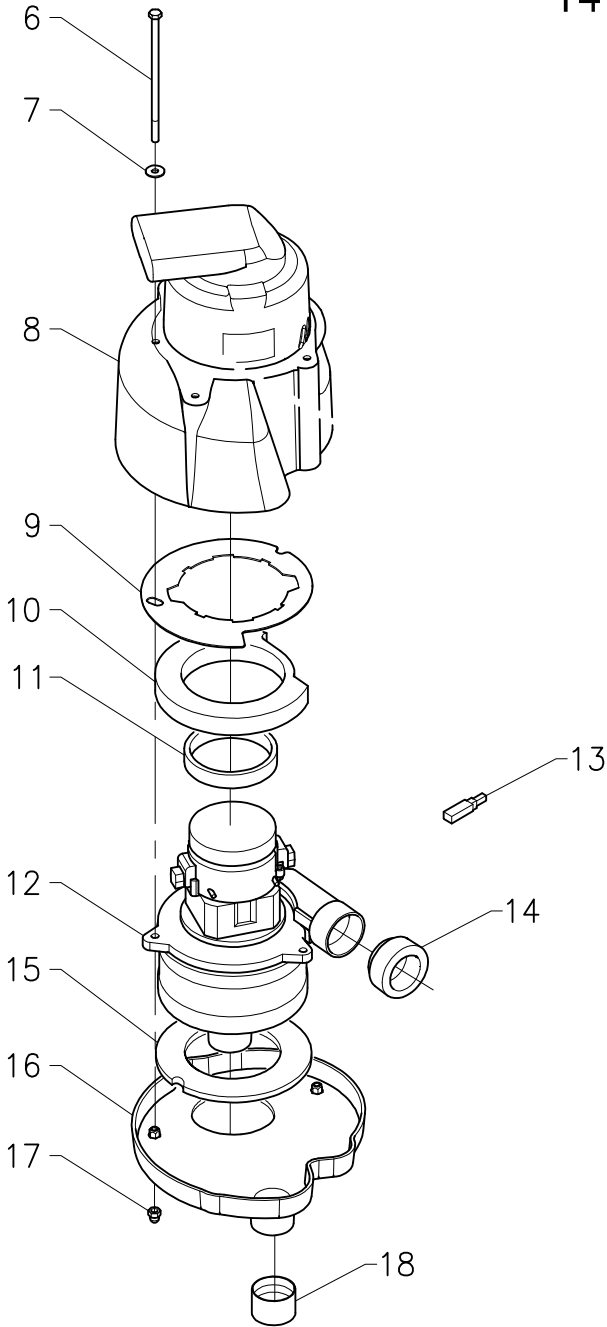
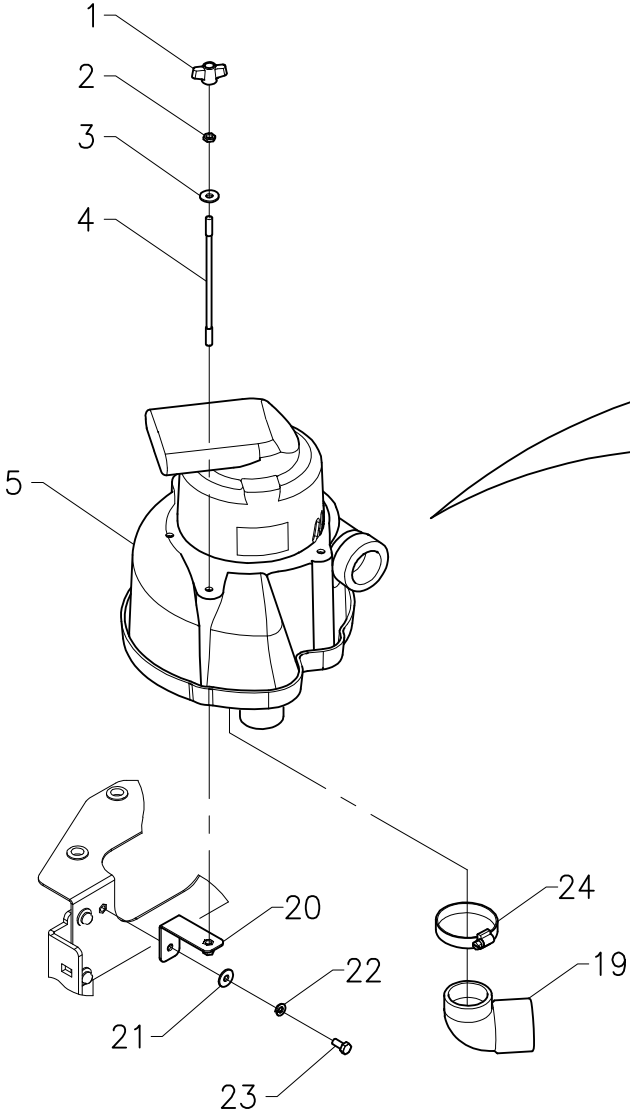


GRUPPO ASPIRAZIONE

SUCTION ASSEMBLY • GROUPE DE L'ASPIRATION • GRUPPE ABSAUGUNG • GRUPO ASPIRACIÓN

1410-30 R00

| Pos. | S/N | Codice | Q.tà | Denominazione | Description | Description | Benennung | Descripción |
|------|-----|----------|------|-----------------------------------|------------------------------|-----------------------------|----------------------------|-------------------------------|
| 1 | | 61706002 | 1 | GALLETTO GB34 M6 | WING NUT | ECROU PAPILLON | FLÜGELMUTTER | MARIPOSA |
| 2 | | 60210601 | 1 | DADO M6 - DIN 439 INOX | NUT INOX | ECROU INOX | MUTTER INOX | TUERCA INOX |
| 3 | | 60306007 | 1 | RONDELLA Ø6x18 - UNI 6593 | WASHER | RONDELLE | UNTERLAGSCHEIBE | ARANDELA |
| 4 | | 20610140 | 1 | COLONNETTA M6x150 | STUD BOLT | COLONNETTE | GEWINDEBOLZEN | PRISIONERO |
| 5 | | V1410001 | 1 | ASSIEME MOTORE ASPIRAZIONE | SUCTION MOTOR ASSEMBLY | GROUPE MOTEUR D'ASPIRATION | GRUPPE SAUGMOTOR | GRUPO MOTOR DE ASPIRACIÓN |
| 6 | | 60110637 | 4 | VITE M6x140 TE - UNI 5737 | SCREW | VIS | SCHRAUBE | TORNILLO |
| 7 | | 60306007 | 4 | RONDELLA Ø6x18 - UNI 6593 | WASHER | RONDELLE | UNTERLAGSCHEIBE | ARANDELA |
| 8 | | 20810020 | 1 | CUFFIA ASPIRATORE 3 STADI | SUCTION MOTOR CASING | PROTECTEUR MOTEUR D'ASP. | ABDECKUNG SAUGMOTOR | COBERTURA MOTOR ASPIRACIÓN |
| 9 | | 20110080 | 1 | LAMIERA INTERNA PROTEZIONE ASP. | INNER PROTECTION RING | ANNEAU INTER. PROTECTION | INNERER SCHUTZRING | CHAPA INTERIOR DE PROTECCIÓN |
| 10 | | 48106020 | 1 | ANTIVIBRANTE ASPIRATORE | VIBRATION-DAMP.SUCTION MOT. | ANTIVIBRANT MOTEUR D'ASP. | DÄMMSCHICHT SAUGMOTOR | ANTIVIBRANTE MOTOR ASPIR. |
| 11 | | 48101010 | 1 | SEPARATORE ASPIRATORE | SEPARATOR SUCTION MOTOR | SEPARATEUR MOTEUR D'ASP. | SEPARATOR SAUGMOTOR | SEPARADOR MOTOR DE ASP. |
| 12 | | 49320080 | 1 | MOTORE ASP. 24V 570W H.1600 CONV. | SUCTION MOTOR | MOTEUR D'ASPIRATION | SAUGMOTOR | MOTOR DE ASPIRACIÓN |
| 13 | | 63608112 | | SPAZZOLA MOTORE | CARBON BRUSH MOTOR | CHARBON DE MOTEUR | KOHLEBÜRSTE MOTOR | ESCOBILLA MOTOR |
| 14 | | 20810040 | 1 | MANICOTTO TUBO SCARICO | COUPLER | MANCHON | MUFFE | MANGUITO |
| 15 | | 47804010 | 1 | GUARNIZIONE ASPIRATORE | SUCTION MOTOR GASKET | JOINT MOTEUR D'ASPIRATION | DICHTUNGSRING SAUGMOTOR | GUARNICIÓN MOTOR ASP. |
| 16 | | 21410140 | 1 | BASE CUFFIA ASPIRATORE + INSERTI | SUCTION MOTOR BASE + INSERTS | BASE MOTEUR D'ASP.+ ENCARTS | BASIS SAUGMOTOR + EINSÄTZE | BASE MOTOR DE ASP. + INSERTOS |
| 17 | | 60230601 | 4 | DADO M6 CIECO CALOTTA NYLON | CAP NUT NYLON | ECROU BORGNE NYLON | HUTMUTTER NYLON | TUERCA SIN SALIDA NYLON |
| 18 | | 62030008 | 1 | TAPPO 40x27 PT 40 | CAP | BOUCHON | DECKEL | TAPA |
| 19 | | 62320020 | 1 | RACCORDO CURVO | BENT ELBOW | COUDE COURBE | WINKELVERSCHRAUBUNG | RACOR CURVO |
| 20 | | 21410060 | 1 | ANGOLARE ASPIRATORE | ANGULAR SUCTION MOTOR | ANGULAIRE MOTEUR D'ASP. | WINKEL SAUGMOTOR | ANGULAR MOTOR DE ASPIRACIÓN |
| 21 | | 60306008 | 1 | RONDELLA Ø6x18 - UNI 6593 INOX | WASHER INOX | RONDELLE INOX | UNTERLAGSCHEIBE INOX | ARANDELA INOX |
| 22 | | 60506007 | 1 | ROND. Ø6 GROWER - DIN 7980 INOX | LOCK WASHER INOX | RONDELLE FREIN INOX | ZAHNSCHEIBE INOX | ARANDELA DENTADA INOX |
| 23 | | 60110606 | 1 | VITE M6x14 TE - UNI 5739 INOX | SCREW INOX | VIS INOX | SCHRAUBE INOX | TORNILLO INOX |

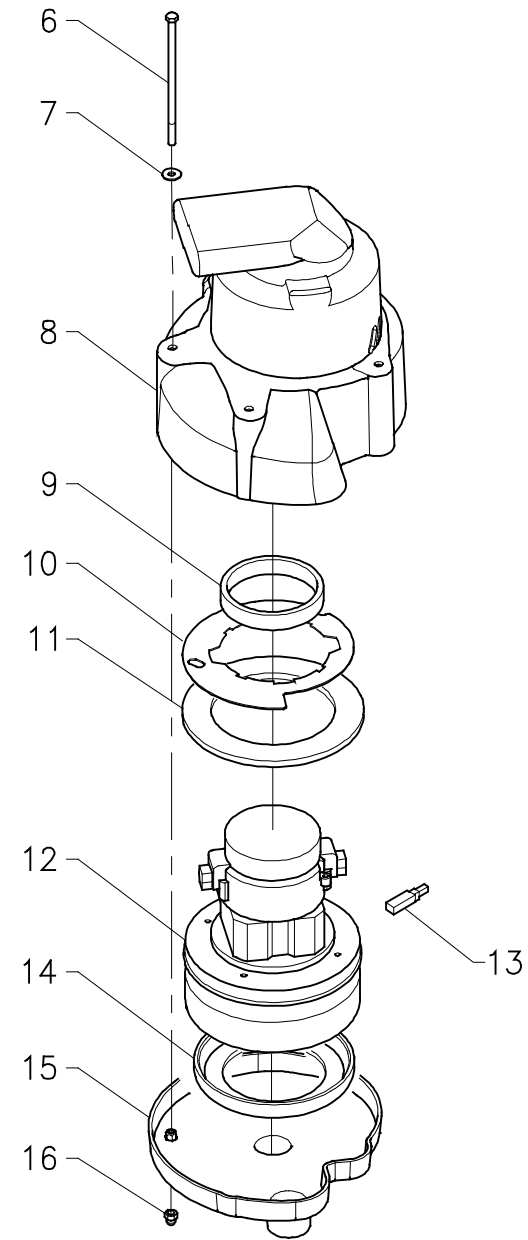
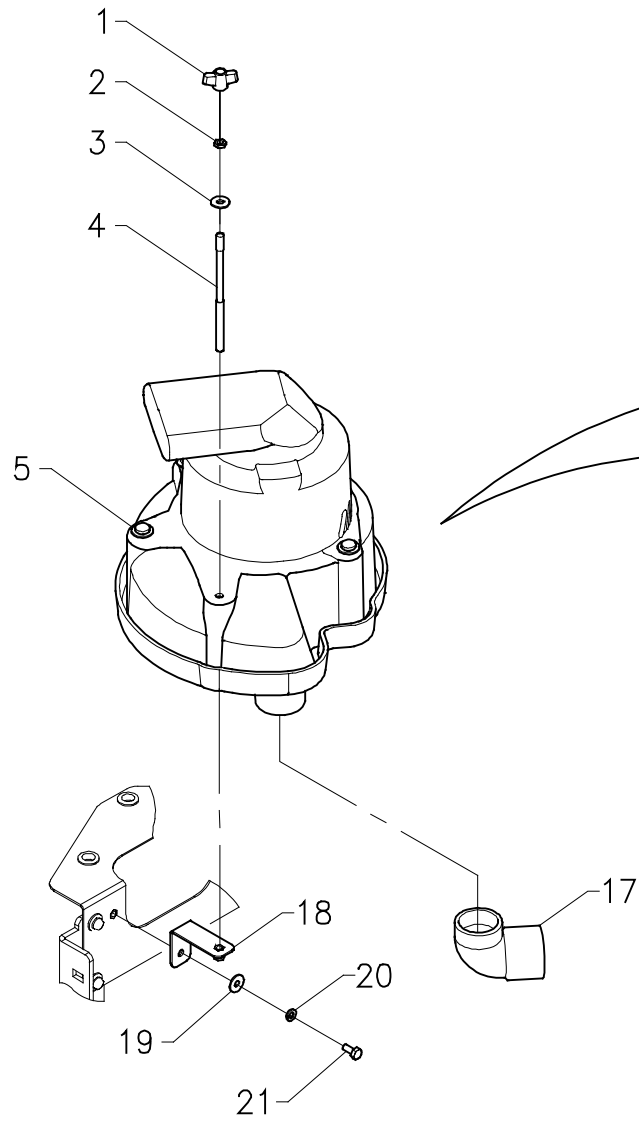


GRUPPO ASPIRAZIONE

SUCTION ASSEMBLY • GROUPE DE L'ASPIRATION • GRUPPE ABSAUGUNG • GRUPO ASPIRACIÓN

1410-30 R01

| Pos. | S/N | Codice | Q.tà | Denominazione | Description | Description | Benennung | Descripción |
|------|-----|----------|------|-----------------------------------|------------------------------|-----------------------------|----------------------------|-------------------------------|
| 1 | | 61706002 | 1 | GALLETTO GB34 M6 | WING NUT | ECROU PAPILLON | FLÜGELMUTTER | MARIPOSA |
| 2 | | 60210601 | 1 | DADO M6 - DIN 439 INOX | NUT INOX | ECROU INOX | MUTTER INOX | TUERCA INOX |
| 3 | | 60306007 | 1 | RONDELLA Ø6x18 - UNI 6593 | WASHER | RONDELLE | UNTERLAGSCHEIBE | ARANDELA |
| 4 | | 20610140 | 1 | COLONNETTA M6x150 | STUD BOLT | COLONNETTE | GEWINDEBOLZEN | PRISIONERO |
| 5 | | V1410001 | 1 | ASSIEME MOTORE ASPIRAZIONE | SUCTION MOTOR ASSEMBLY | GROUPE MOTEUR D'ASPIRATION | GRUPPE SAUGMOTOR | GRUPO MOTOR DE ASPIRACIÓN |
| 6 | | 60110637 | 4 | VITE M6x140 TE - UNI 5737 | SCREW | VIS | SCHRAUBE | TORNILLO |
| 7 | | 60306007 | 4 | RONDELLA Ø6x18 - UNI 6593 | WASHER | RONDELLE | UNTERLAGSCHEIBE | ARANDELA |
| 8 | | 20810020 | 1 | CUFFIA ASPIRATORE 3 STADI | SUCTION MOTOR CASING | PROTECTEUR MOTEUR D'ASP. | ABDECKUNG SAUGMOTOR | COBERTURA MOTOR ASPIRACIÓN |
| 9 | | 20110080 | 1 | LAMIERA INTERNA PROTEZIONE ASP. | INNER PROTECTION RING | ANNEAU INTER. PROTECTION | INNERER SCHUTZRING | CHAPA INTERIOR DE PROTECCIÓN |
| 10 | | 48106020 | 1 | ANTIVIBRANTE ASPIRATORE | VIBRATION-DAMP.SUCTION MOT. | ANTIVIBRANT MOTEUR D'ASP. | DÄMMSCHICHT SAUGMOTOR | ANTIVIBRANTE MOTOR ASPIR. |
| 11 | | 48101010 | 1 | SEPARATORE ASPIRATORE | SEPARATOR SUCTION MOTOR | SEPARATEUR MOTEUR D'ASP. | SEPARATOR SAUGMOTOR | SEPARADOR MOTOR DE ASP. |
| 12 | | 49320160 | 1 | MOTORE ASP. 24V 570W H.1800 CONV. | SUCTION MOTOR | MOTEUR D'ASPIRATION | SAUGMOTOR | MOTOR DE ASPIRACIÓN |
| 13 | | 63608115 | | SPAZZOLA MOTORE | CARBON BRUSH MOTOR | CHARBON DE MOTEUR | KOHLEBÜRSTE MOTOR | ESCOBILLA MOTOR |
| 14 | | 20810040 | 1 | MANICOTTO TUBO SCARICO | COUPLER | MANCHON | MUFFE | MANGUITO |
| 15 | | 48115010 | 1 | GUARNIZIONE ASPIRATORE | SUCTION MOTOR GASKET | JOINT MOTEUR D'ASPIRATION | DICHTUNGSRING SAUGMOTOR | GUARNICIÓN MOTOR ASP. |
| 16 | | 21410150 | 1 | BASE CUFFIA ASPIRATORE + INSERTI | SUCTION MOTOR BASE + INSERTS | BASE MOTEUR D'ASP.+ ENCARTS | BASIS SAUGMOTOR + EINSÄTZE | BASE MOTOR DE ASP. + INSERTOS |
| 17 | | 60230601 | 4 | DADO M6 CIECO CALOTTA NYLON | CAP NUT NYLON | ECROU BORGNE NYLON | HUTMUTTER NYLON | TUERCA SIN SALIDA NYLON |
| 18 | | 62030008 | 1 | TAPPO 40x27 PT 40 | CAP | BOUCHON | DECKEL | TAPA |
| 19 | | 62320020 | 1 | RACCORDO CURVO | BENT ELBOW | COUDE COURBE | WINKELVERSCHRAUBUNG | RACOR CURVO |
| 20 | | 21410060 | 1 | ANGOLARE ASPIRATORE | ANGULAR SUCTION MOTOR | ANGULAIRE MOTEUR D'ASP. | WINKEL SAUGMOTOR | ANGULAR MOTOR DE ASPIRACIÓN |
| 21 | | 60306008 | 1 | RONDELLA Ø6x18 - UNI 6593 INOX | WASHER INOX | RONDELLE INOX | UNTERLAGSCHEIBE INOX | ARANDELA INOX |
| 22 | | 60506007 | 1 | ROND. Ø6 GROWER - DIN 7980 INOX | LOCK WASHER INOX | RONDELLE FREIN INOX | ZAHNSCHEIBE INOX | ARANDELA DENTADA INOX |
| 23 | | 60110606 | 1 | VITE M6x14 TE - UNI 5739 INOX | SCREW INOX | VIS INOX | SCHRAUBE INOX | TORNILLO INOX |
| 24 | | 61930005 | 1 | FASCETTA STRINGITUBO MM.38-50 | CLAMP HOSE WRENCH | COLLIER SERRE-TUYAU | BRIDE SCHLAUCHKLEMME | ABRAZADERA BLOQUEO TUBO |

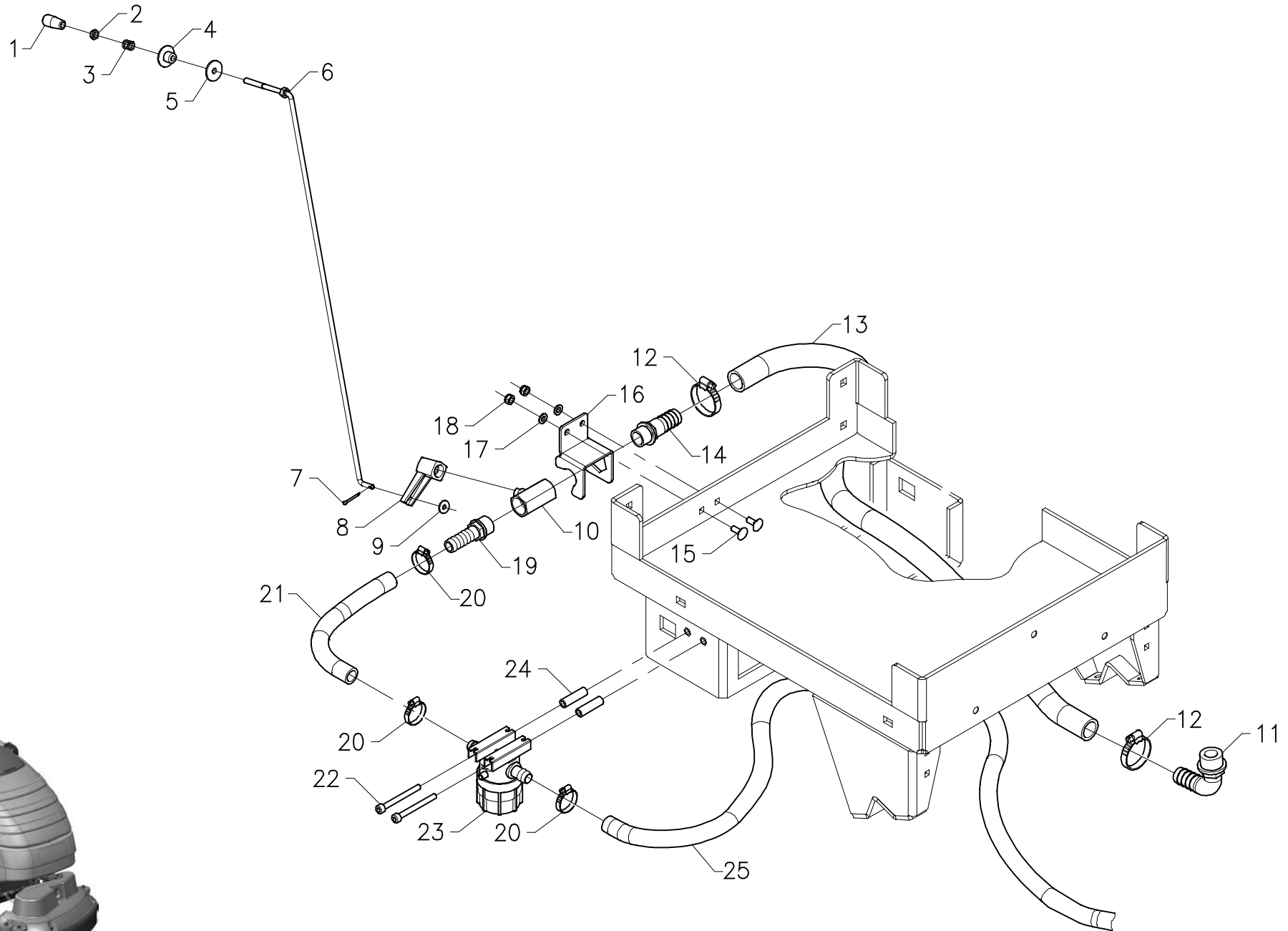


GRUPPO ASPIRAZIONE - TROJAN

SUCTION ASSEMBLY - TROJAN • GROUPE DE L'ASPIRATION - TROJAN • GRUPPE ABSAUGUNG - TROJAN • GRUPO ASPIRACIÓN - TROJAN

1410-31 R00

| Pos. | S/N | Codice | Q.tà | Denominazione | Description | Description | Benennung | Descripción |
|------|-----|----------|------|----------------------------------|------------------------------|-----------------------------|----------------------------|-------------------------------|
| 1 | | 61706002 | 1 | GALLETTO GB34 M6 | WING NUT | ECROU PAPILLON | FLÜGELMUTTER | MARIPOSA |
| 2 | | 60210601 | 1 | DADO M6 - DIN 439 INOX | NUT INOX | ECROU INOX | MUTTER INOX | TUERCA INOX |
| 3 | | 60306007 | 1 | RONDELLA Ø6x18 - UNI 6593 | WASHER | RONDELLE | UNTERLAGSCHEIBE | ARANDELA |
| 4 | | 20110220 | 1 | COLONNETTA M6x117 | STUD BOLT | COLONNETTE | GEWINDEBOLZEN | PRISIONERO |
| 5 | | | 1 | ASSIEME MOTORE ASPIRAZIONE | SUCTION MOTOR ASSEMBLY | GROUPE MOTEUR D'ASPIRATION | GRUPPE SAUGMOTOR | GRUPO MOTOR DE ASPIRACIÓN |
| 6 | | 60140616 | 4 | VITE M6x100 TCTC - UNI 7687 | SCREW | VIS | SCHRAUBE | TORNILLO |
| 7 | | 60306007 | 4 | RONDELLA Ø6x18 - UNI 6593 | WASHER | RONDELLE | UNTERLAGSCHEIBE | ARANDELA |
| 8 | | 20110250 | 1 | CUFFIA ASPIRATORE 2 STADI | SUCTION MOTOR CASING | PROTECTEUR MOTEUR D'ASP. | ABDECKUNG SAUGMOTOR | COBERTURA MOTOR ASPIRACIÓN |
| 9 | | 48103010 | 1 | SEPARATORE ASPIRATORE | SEPARATOR SUCTION MOTOR | SEPARATEUR MOTEUR D'ASP. | SEPARATOR SAUGMOTOR | SEPARADOR MOTOR DE ASP. |
| 10 | | 20110080 | 1 | LAMIERA INTERNA PROTEZIONE ASP. | INNER PROTECTION RING | ANNEAU INTER. PROTECTION | INNERER SCHUTZRING | CHAPA INTERIOR DE PROTECCIÓN |
| 11 | | 20110090 | 1 | ANTIVIBRANTE ASPIRATORE | VIBRATION-DAMP.SUCTION MOT. | ANTIVIBRANT MOTEUR D'ASP. | DÄMMSCHICHT SAUGMOTOR | ANTIVIBRANTE MOTOR ASPIR. |
| 12 | | 49320020 | 1 | MOTORE ASP. 24V H1200 2 STADI | SUCTION MOTOR | MOTEUR D'ASPIRATION | SAUGMOTOR | MOTOR DE ASPIRACIÓN |
| 13 | | 63608112 | 2 | SPAZZOLA MOTORE 8x11 NERO | CARBON BRUSH MOTOR BLACK | CHARBON DE MOTEUR NOIR | KOHLEBÜRSTE MOTOR SCHWARZ | ESCOBILLA MOTOR NEGRO |
| 14 | | 47804010 | 1 | GUARNIZIONE ASPIRATORE | SUCTION MOTOR GASKET | JOINT MOTEUR D'ASPIRATION | DICHTUNGSRING SAUGMOTOR | GUARNICIÓN MOTOR ASP. |
| 15 | | 21410140 | 1 | BASE CUFFIA ASPIRATORE + INSERTI | SUCTION MOTOR BASE + INSERTS | BASE MOTEUR D'ASP.+ ENCARTS | BASIS SAUGMOTOR + EINSÄTZE | BASE MOTOR DE ASP. + INSERTOS |
| 16 | | 60230601 | 4 | DADO M6 CIECO CALOTTA NYLON | CAP NUT NYLON | ECROU BORGNE NYLON | HUTMUTTER NYLON | TUERCA SIN SALIDA NYLON |
| 17 | | 62320020 | 1 | RACCORDO CURVO | BENT ELBOW | COUDE COURBE | WINKELVERSCHRAUBUNG | RACOR CURVO |
| 18 | | 21410060 | 1 | ANGOLARE ASPIRATORE | ANGULAR SUCTION MOTOR | ANGULAIRE MOTEUR D'ASP. | WINKEL SAUGMOTOR | ANGULAR MOTOR DE ASPIRACIÓN |
| 19 | | 60306008 | 1 | RONDELLA Ø6x18 - UNI 6593 INOX | WASHER INOX | RONDELLE INOX | UNTERLAGSCHEIBE INOX | ARANDELA INOX |
| 20 | | 60506007 | 1 | ROND. Ø6 GROWER - DIN 7980 INOX | LOCK WASHER INOX | RONDELLE FREIN INOX | ZAHNSCHEIBE INOX | ARANDELA DENTADA INOX |
| 21 | | 60110606 | 1 | VITE M6x14 TE - UNI 5739 INOX | SCREW INOX | VIS INOX | SCHRAUBE INOX | TORNILLO INOX |

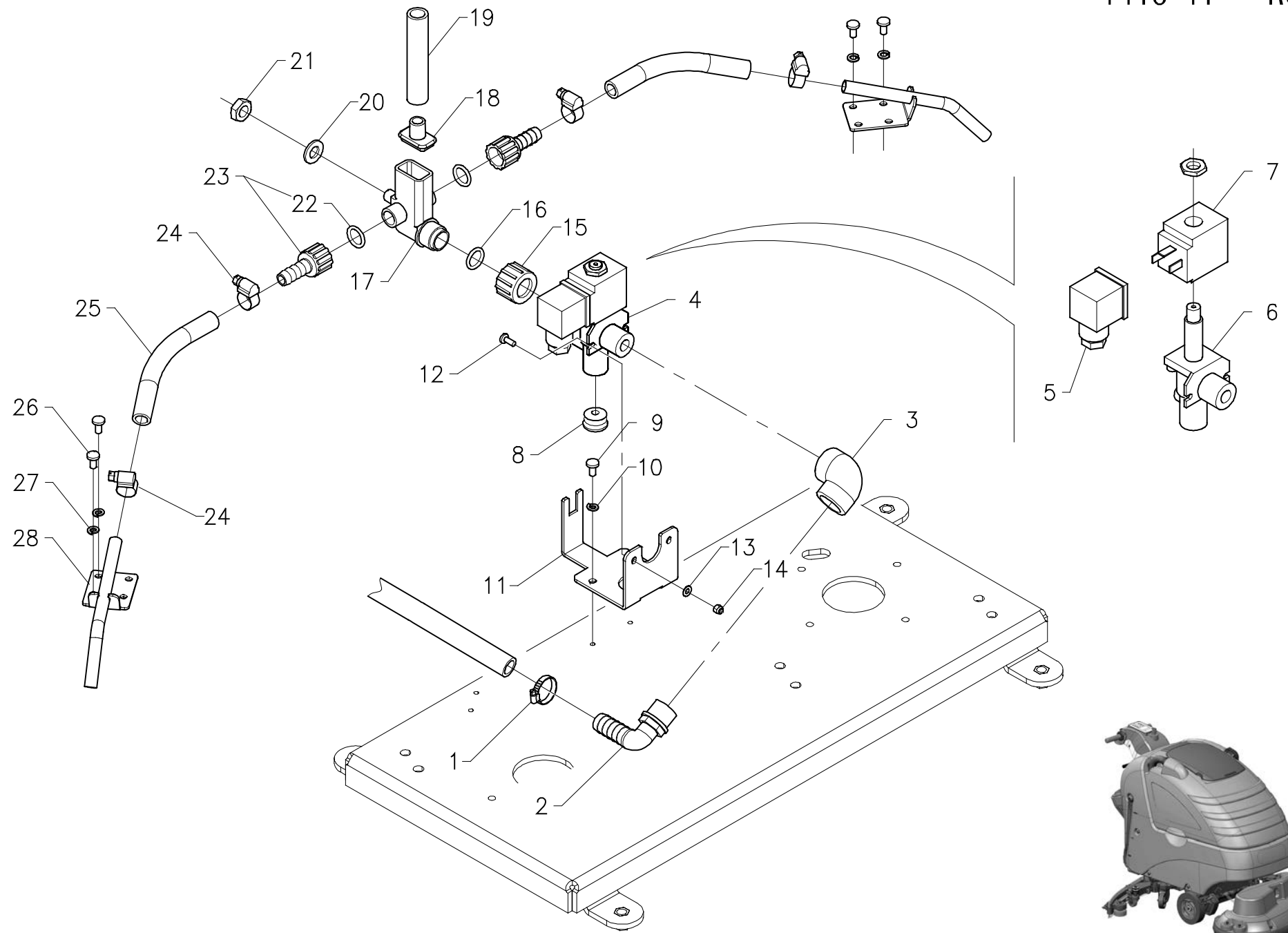


GRUPPO IDRICO - FILTRO E RUBINETTO

WATER UNIT-FILTER AND SOLUTION VALVE • GROUPE HYDRIQUE-FILTRE ET ROBINET • WASSERGRUPPE-FILTER UND WASSERHAHN • GRUPO HÍDRICO-FILTRO Y GRIFO

1410-40 R00

| Pos. | S/N | Codice | Q.tà | Denominazione | Description | Description | Benennung | Descripción |
|------|--------|----------------------|------|----------------------------------|----------------------------|--------------------------|----------------------------|----------------------------|
| 1 | | 61810004 | 1 | MANOPOLA CILINDRICA M6 | CYLINDRICAL KNOB | POIGNEE CYLINDRIQUE | ZYLINDRISCHER HANDGRIFF | POMO CILINDRICO |
| 2 | | 60210606 | 1 | DADO M6 - UNI 5587 INOX | NUT INOX | ECROU INOX | MUTTER INOX | TUERCA INOX |
| 3 | | 47210050 | 1 | MOLLA COMPRESIONE INOX | COMPRESSION SPRING INOX | RESSORT DE COMPR. INOX | DRUCKFEDER INOX | RESORTE DE COMPR. INOX |
| 4 | | 20110190 | 1 | GUIDA ASTA RUBINETTO | GUIDE SOLUTION VALVE ROD | GUIDE TIGE DE ROBINET | FÜHRUNG WASSERHAHNSTANGE | GUIA VARILLO GRIFO |
| 5 | | 60306010 | 1 | RONDELLA Ø6x24 - UNI 6593 | WASHER | RONDELLE | UNTERLAGSCHEIBE | ARANDELA |
| 6 | | 21410040 | 1 | ASTA COMANDO RUBINETTO | ROD SOLUTION VALVE CONTROL | TIGE COMMANDE DE ROBINET | STANGE WASSERHAHN BETÄTIG. | VARILLO MANDO DE GRIFO |
| 7 | | 60702002 | 1 | COPIGLIA Ø2x20 INOX - UNI 1336 | SPLIT PIN INOX | GOUPILLE INOX | SPLINT INOX | PASADOR INOX |
| 8 | | 20310050 | 1 | LEVA RUBINETTO CORTA | SOLUTION VALVE LEVER SHORT | LEVIER DE ROBINET COURT | HEBEL WASSERHAHN KURZ | PALANCA GRIFO CORTA |
| 9 | | 60305006 | 1 | RONDELLA Ø5x20 - UNI 6593B INOX | WASHER INOX | RONDELLE INOX | UNTERLAGSCHEIBE INOX | ARANDELA INOX |
| 10 | | 62310002 | 1 | CORPO RUBINETTO 1/2 | SOLUTION VALVE BODY | CORPS DU ROBINET | KÖRPER WASSERHAHN | CUERPO GRIFO |
| 11 | | 62340270 | 1 | PORTAGOMMA CURVO 3/4x20 | BENT FITTING | RACCORD COURBE | SCHLAUCHANSCHLUSS GEBOGEN | EMPALME CURVO |
| 12 | | 61930002 | 2 | FASCETTA STRINGITUBO MM.15-24x12 | CLAMP HOSE WRENCH | COLLIER SERRE-TUYAU | BRIDE SCHLAUCHKLEMME | ABRAZADERA BLOQUEO TUBO |
| 13 | | | 1 | TUBO Ø20x640 SPIRALE ACCIAIO | HOSE | TUYAU | SCHLAUCH | TUBO DE GOMA |
| 14 | | 62340100 | 1 | PORTAGOMMA DIRITTO 1/2x20 | STRAIGHT FITTING | RACCORD DROITE | SCHLAUCHANSCHLUSS GERADE | EMPALME RECTO |
| 15 | | 60100603 | 2 | VITE M6x16 TTQST - UNI 5732 INOX | SCREW INOX | VIS INOX | SCHRAUBE INOX | TORNILLO INOX |
| 16 | TROJAN | 21401090 21401220 | 1 | STAFFA RUBINETTO | SUPPORT SOLUTION VALVE | ATTAQUE ROBINET | HALTERUNG WASSERHAHN | SOPORTE FIJADOR GRIFO |
| 17 | | 60306005 | 2 | RONDELLA Ø6x12 - UNI 6592 INOX | WASHER INOX | RONDELLE INOX | UNTERLAGSCHEIBE INOX | ARANDELA INOX |
| 18 | | 60220602 | 2 | DADO M6 AUTOBL. - UNI 7474 INOX | LOCK NUT INOX | ECROU AUTOBLOQUANT INOX | STOPMUTTER INOX | TUERCA AUTOBLOQUEANTE INOX |
| 19 | | 62340081 | 1 | PORTAGOMMA DIRITTO 1/2x15 OTTONE | STRAIGHT FITTING BRASS | RACCORD DROIT LAITON | SCHLAUCHANSCHL.GER.MESSING | EMPALME RECTO LATÓN |
| 20 | | 61930009 | 3 | FASCETTA STRINGITUBO MM.12-22x9 | CLAMP HOSE WRENCH | COLLIER SERRE-TUYAU | BRIDE SCHLAUCHKLEMME | ABRAZADERA BLOQUEO TUBO |
| 21 | | 47630290 | 1 | TUBO Ø14x230 SPIRALE ACCIAIO | HOSE | TUYAU | SCHLAUCH | TUBO DE GOMA |
| 22 | | 60130616 | 2 | VITE M6x60 TCEI - UNI 5931 INOX | SCREW INOX | VIS INOX | SCHRAUBE INOX | TORNILLO INOX |
| 23 | | 47900220 | 1 | FILTRO CON PORTAGOMMA | FILTER WITH FITTING | FILTRE AVEC RACCORD | FILTER MIT ANSCHLUSS | FILTRO CON EMPALME |
| 24 | | 62406023 | 2 | DISTANZIALE PLASTICA | PLASTIC SPACER | ENTRETOISE PLASTIQUE | DISTANZHÜLSE PLASTIK | DISTANCIADOR PLÁSTICO |
| 25 | | 47630340 | 1 | TUBO Ø14x820 SPIRALE ACCIAIO | HOSE | TUYAU | SCHLAUCH | TUBO DE GOMA |

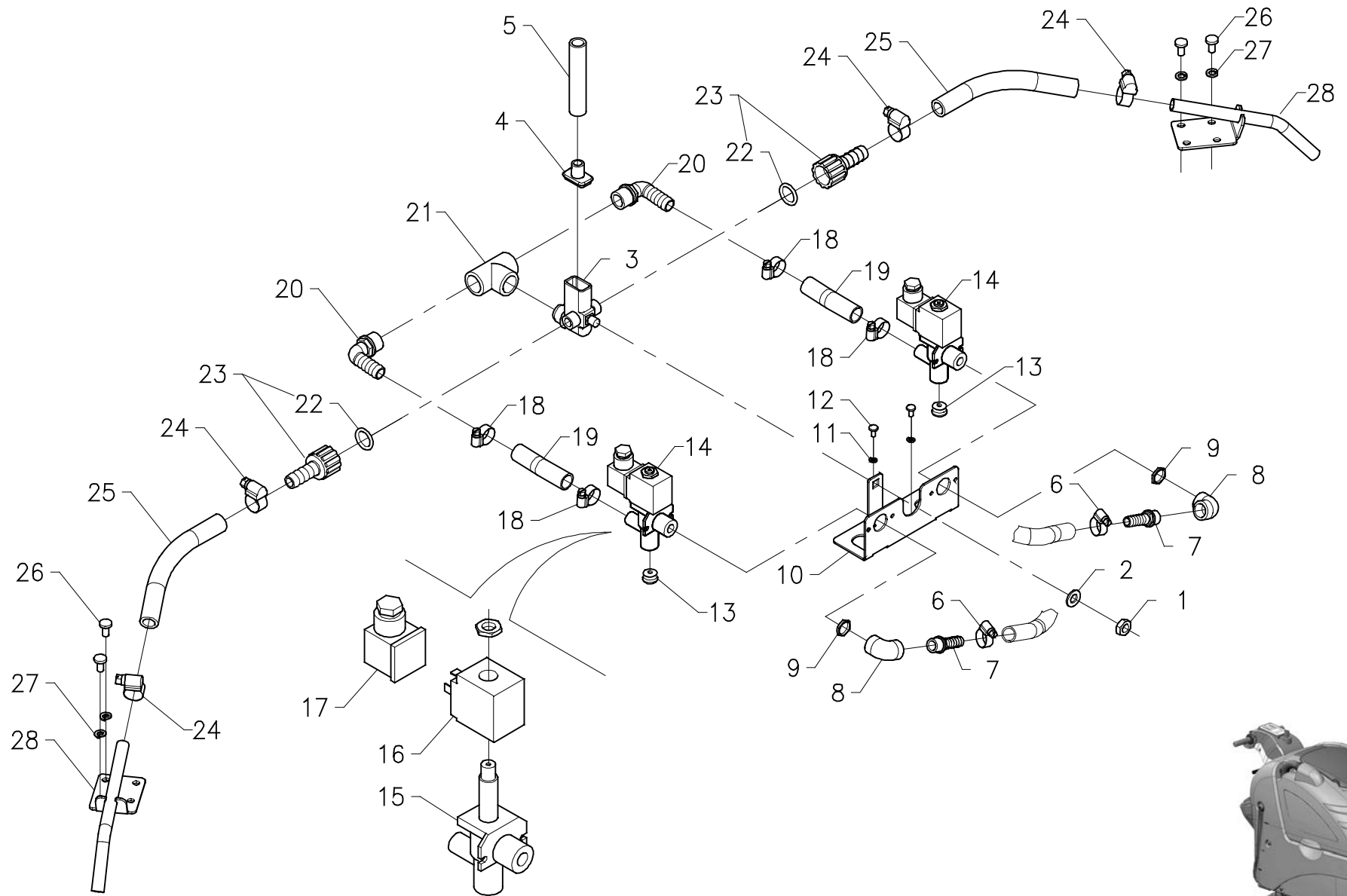


GRUPPO IDRICO - BASAMENTO

WATER UNIT - BRUSHES BASE • GROUPE HYDRIQUE - EMBASE DES BROSSES • WASSERGRUPPE - BÜRSTENGEHÄUSE • GRUPO HÍDRICO - BANCADA CEPILLOS

1410-41 R00

| Pos. | S/N | Codice | Q.tà | Denominazione | Description | Description | Benennung | Descripción |
|------|-----|----------|------|------------------------------------|-------------------------|-------------------------|---------------------------|----------------------------|
| 1 | | 61930009 | 1 | FASCETTA STRINGITUBO 12-22x9 | CLAMP HOSE WRENCH | COLLIER SERRE-TUYAU | BRIDE SCHLAUCHKLEMME | ABRAZADERA BLOQUEO TUBO |
| 2 | | 62340040 | 1 | PORTAGOMMA CURVO 1/2x16 M | BENT FITTING | RACCORD COURBE | SCHLAUCHANSCHLUSS GEBOGEN | EMPALME CURVO |
| 3 | | 62320050 | 1 | RACCORDO CURVO 90° 1/2 F.F. | BENT FITTING | RACCORD COURBE | VERSCHRAUBUNG GEBOGEN | EMPALME CURVO |
| 4 | | 47532040 | 1 | ELETTRIVALVOLA COMPLETA 24V | SOLENOID VALVE ASSEMBLY | ELECTROVANNE COMPLETE | MAGNETVENTIL KOMPLETT | ELECTROVÁLVULA COMPLETA |
| 5 | | 47592010 | 1 | CONNETTORE QUADRATO | SQUARE CONNECTOR | CONNECTEUR CARRE | VIERKANTVERBINDER | CONECTOR CUADRADO |
| 6 | | 47512020 | 1 | CORPO ELETTRIVALVOLA | SOLENOID VALVE BODY | CORPS D'ELECTROVANNE | KÖRPER MAGNETVENTIL | CUERPO ELECTROVÁLVULA |
| 7 | | 47522010 | 1 | BOBINA ELETTRIVALVOLA 24V | COIL | BOBINE | SPULE | BOBINA |
| 8 | | 62030007 | 1 | TAPPO SALVAFILETTO TSF/14,5 | CAP | CAPUCHON | STÖPSEL | TAPÓN |
| 9 | | 60140510 | 2 | VITE M5x10 TCTC - UNI 7687 INOX | SCREW INOX | VIS INOX | SCHRAUBE INOX | TORNILLO INOX |
| 10 | | 60505003 | 2 | RONDELLA Ø5 DENT.- DIN 6798/A INOX | LOCK WASHER INOX | RONDELLE FREIN INOX | ZAHNSCHEIBE INOX | ARANDELA DENTADA INOX |
| 11 | | 21402010 | 1 | STAFFA ELETTRIVALVOLA | SUPPORT SOLENOID VALVE | ATTAQUE D'ELECTROVANNE | BÜGEL MAGNETVENTIL | SOPORTE ELECTROVÁLVULA |
| 12 | | 60140403 | 2 | VITE M4x12 TCTC - UNI 7687 | SCREW | VIS | SCHRAUBE | TORNILLO |
| 13 | | 60304002 | 2 | RONDELLA Ø4x9 - UNI 6592 | WASHER | RONDELLE | UNTERLAGSCHEIBE | ARANDELA |
| 14 | | 60220403 | 2 | DADO M4 AUTOBL. - UNI 7474 INOX | LOCK NUT INOX | ECROU AUTOBLOQUANT INOX | STOPMUTTER INOX | TUERCA AUTOBLOQUEANTE INOX |
| 15 | | 62340070 | 1 | GHIERA FILETTATA 1/2" | RING NUT | EMBOUT | NUTMUTTER | TUERCA ANULAR |
| 16 | | 61301301 | 1 | OR 3056 NBR | O-RING NBR | JOINT NBR | O-RING NBR | JUNTA ANULAR NBR |
| 17 | | 20102400 | 1 | DISTRIBUTORE ACQUA | DISTRIBUTOR | DISTRIBUTEUR | VERTEILER | DISTRIBUIDOR |
| 18 | | 20802030 | 1 | TAPPO DISTRIBUTORE | COVER | COUVERCLE | DECKEL | TAPA |
| 19 | | 47630640 | 1 | TUBO Ø12x85 POLIETILENE | HOSE | TUYAU | SCHLAUCH | TUBO DE GOMA |
| 20 | | 60510002 | 1 | RONDELLA Ø10 DENT.-DIN 6798/A INOX | LOCK WASHER INOX | RONDELLE FREIN INOX | ZAHNSCHEIBE INOX | ARANDELA DENTADA INOX |
| 21 | | 60211007 | 1 | DADO M10 - UNI 5589 INOX | NUT INOX | ECROU INOX | MUTTER INOX | TUERCA INOX |
| 22 | | 62370013 | 2 | GUARNIZIONE | GASKET | JOINT | DICHTUNG | JUNTA |
| 23 | | 62340280 | 2 | PORTAGOMMA DRITTO 3/8"x12 | STRAIGHT FITTING | RACCORD DROIT | SCHLAUCHANSCHLUSS GERADE | EMPALME RECTO |
| 24 | | 61930003 | 4 | FASCETTA STRINGITUBO 11-17x9 | CLAMP HOSE WRENCH | COLLIER SERRE-TUYAU | BRIDE SCHLAUCHKLEMME | ABRAZADERA BLOQUEO TUBO |
| 25 | | | 2 | TUBO Ø10x130 SPIRALE ACCIAIO | HOSE | TUYAU | SCHLAUCH | TUBO DE GOMA |
| 26 | | 60140510 | 4 | VITE M5x10 TCTC - UNI 7687 INOX | SCREW INOX | VIS INOX | SCHRAUBE INOX | TORNILLO INOX |
| 27 | | 60505003 | 4 | RONDELLA Ø5 DENT.- DIN 6798/A INOX | LOCK WASHER INOX | RONDELLE FREIN INOX | ZAHNSCHEIBE INOX | ARANDELA DENTADA INOX |
| 28 | | 21402020 | 2 | TUBO USCITA ACQUA | TUBE WATER OUTLET | TUBE SORTIE D'EAU | WASSERROHR | TUBO DE AGUA |

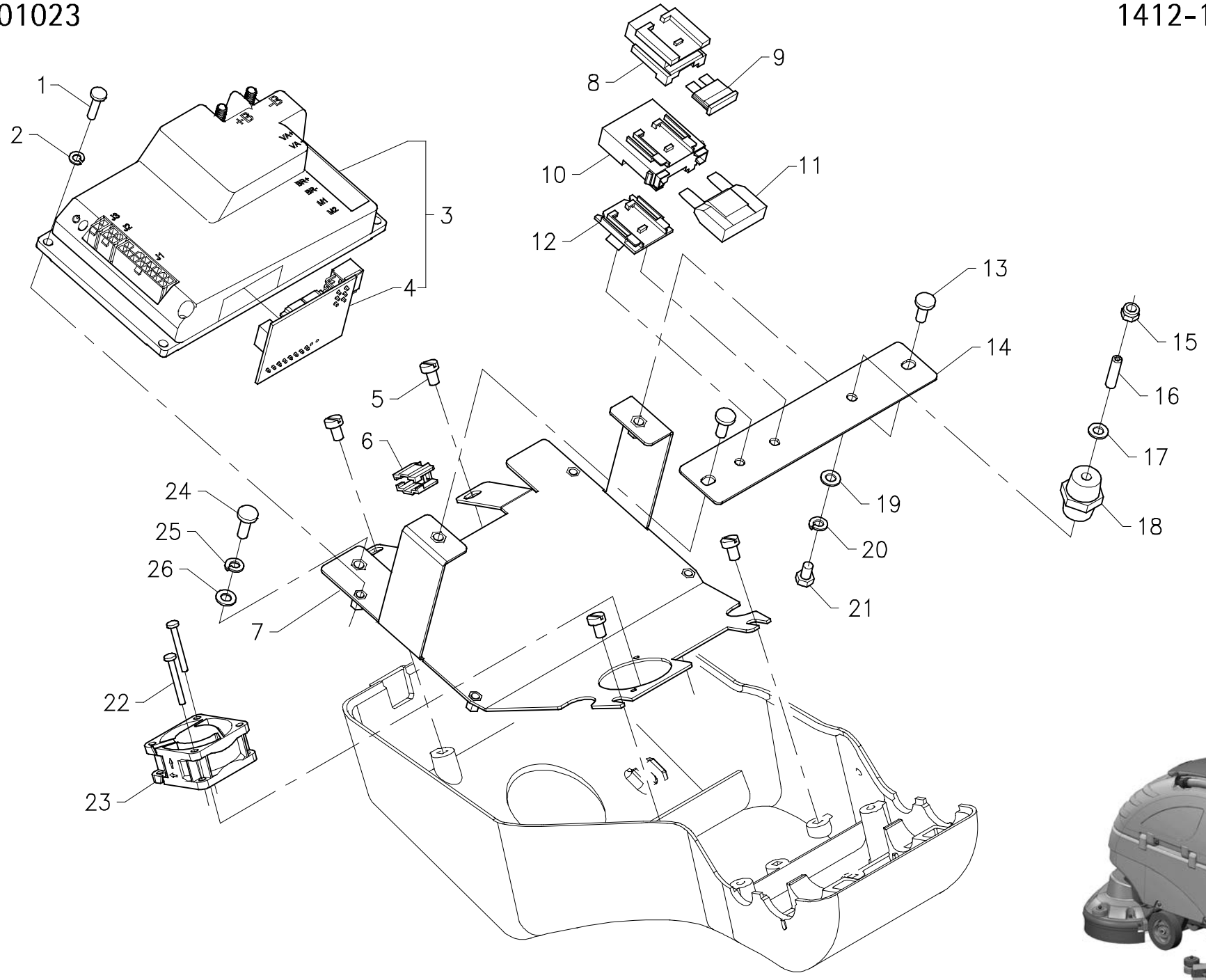


GRUPPO IDRICO - BASAMENTO 3S

WATER UNIT - BRUSHES BASE 3S • GROUPE HYDRIQUE - EMBASE DES BROSSES 3S • WASSERGRUPPE - BÜRSTENGEHÄUSE3S • GRUPO HÍDRICO - BANCADA CEPILLOS 3S

1410-51 R00

| Pos. | S/N | Codice | Q.tà | Denominazione | Description | Description | Benennung | Descripción |
|------|-----|----------|------|------------------------------------|-------------------------|-------------------------|---------------------------|-------------------------|
| 1 | | 60211007 | 1 | DADO M10 - UNI 5589 INOX | NUT INOX | ECROU INOX | MUTTER INOX | TUERCA INOX |
| 2 | | 60510002 | 1 | RONDELLA Ø10 DENT.-DIN 6798/A INOX | LOCK WASHER INOX | RONDELLE FREIN INOX | ZAHNSCHEIBE INOX | ARANDELA DENTADA INOX |
| 3 | | 20102400 | 1 | DISTRIBUTORE ACQUA | DISTRIBUTOR | DISTRIBUTEUR | VERTEILER | DISTRIBUIDOR |
| 4 | | 20802030 | 1 | TAPPO DISTRIBUTORE | COVER | COUVERCLE | DECKEL | TAPA |
| 5 | | 47630640 | 1 | TUBO Ø12x85 POLIETILENE | HOSE | TUYAU | SCHLAUCH | TUBO DE GOMA |
| 6 | | 61930009 | 2 | FASCETTA STRINGITUBO 12-22x9 | CLAMP HOSE WRENCH | COLLIER SERRE-TUYAU | BRIDE SCHLAUCHKLEMME | ABRAZADERA BLOQUEO TUBO |
| 7 | | 62340080 | 2 | PORTAGOMMA DIRITTO 1/2x16 | STRAIGHT FITTING | RACCORD DROITE | SCHLAUCHANSCHLUSS GERADE | EMPALME RECTO |
| 8 | | 62320050 | 2 | RACCORDO CURVO 90° 1/2 F.F. | BENT FITTING | RACCORD COURBE | VERSCHRAUBUNG GEBOGEN | EMPALME CURVO |
| 9 | | 62370011 | 2 | CONTRODADO OTTONE G1/2" | ADJUSTER NUT BRASS | ECROU DE REGLAGE LAITON | RÄNDELMUTTER MESSING | CONTRATUERCA LATÓN |
| 10 | | 21402120 | 1 | STAFFA ELETTROVALVOLA | SUPPORT SOLENOID VALVE | ATTAQUE D'ELECTROVANNE | BÜGEL MAGNETVENTIL | SOPORTE ELECTROVÁLVULA |
| 11 | | 60505003 | 2 | RONDELLA Ø5 DENT.- DIN 6798/A INOX | LOCK WASHER INOX | RONDELLE FREIN INOX | ZAHNSCHEIBE INOX | ARANDELA DENTADA INOX |
| 12 | | 60140510 | 2 | VITE M5x10 TCTC - UNI 7687 INOX | SCREW INOX | VIS INOX | SCHRAUBE INOX | TORNILLO INOX |
| 13 | | 62030007 | 2 | TAPPO SALVAFILETTO TSF/14,5 | CAP | CAPUCHON | STÖPSEL | TAPÓN |
| 14 | | 47532040 | 2 | ELETTROVALVOLA COMPLETA 24V | SOLENOID VALVE ASSEMBLY | ELECTROVANNE COMPLETE | MAGNETVENTIL KOMPLETT | ELECTROVÁLVULA COMPLETA |
| 15 | | 47512020 | 2 | CORPO ELETTROVALVOLA | SOLENOID VALVE BODY | CORPS D'ELECTROVANNE | KÖRPER MAGNETVENTIL | CUERPO ELECTROVÁLVULA |
| 16 | | 47522010 | 2 | BOBINA ELETTROVALVOLA 24V | COIL | BOBINE | SPULE | BOBINA |
| 17 | | 47592010 | 2 | CONNETTORE QUADRATO | SQUARE CONNECTOR | CONNECTEUR CARRE | VIERKANTVERBINDER | CONECTOR CUADRADO |
| 18 | | 61930009 | 4 | FASCETTA STRINGITUBO 12-22x9 | CLAMP HOSE WRENCH | COLLIER SERRE-TUYAU | BRIDE SCHLAUCHKLEMME | ABRAZADERA BLOQUEO TUBO |
| 19 | | | 2 | TUBO Ø14x80 SPIRALE ACCIAIO | HOSE | TUYAU | SCHLAUCH | TUBO DE GOMA |
| 20 | | 62340040 | 2 | PORTAGOMMA CURVO 1/2x16 M | BENT FITTING | RACCORD COURBE | SCHLAUCHANSCHLUSS GEBOGEN | EMPALME CURVO |
| 21 | | 62330040 | 1 | RACCORDO A "T" 1/2" | T-FITTING | RACCORD A T | T-VERSCHRAUBUNG | RACOR A T |
| 22 | | 62370013 | 2 | GUARNIZIONE | GASKET | JOINT | DICHTUNG | JUNTA |
| 23 | | 62340280 | 2 | PORTAGOMMA DRITTO 3/8"x12 | STRAIGHT FITTING | RACCORD DROIT | SCHLAUCHANSCHL.GER. | EMPALME RECTO |
| 24 | | 61930003 | 4 | FASCETTA STRINGITUBO 11-17x9 | CLAMP HOSE WRENCH | COLLIER SERRE-TUYAU | BRIDE SCHLAUCHKLEMME | ABRAZADERA BLOQUEO TUBO |
| 25 | | | 2 | TUBO Ø10x130 SPIRALE ACCIAIO | HOSE | TUYAU | SCHLAUCH | TUBO DE GOMA |
| 26 | | 60140510 | 4 | VITE M5x10 TCTC - UNI 7687 INOX | SCREW INOX | VIS INOX | SCHRAUBE INOX | TORNILLO INOX |
| 27 | | 60505003 | 4 | RONDELLA Ø5 DENT.- DIN 6798/A INOX | LOCK WASHER INOX | RONDELLE FREIN INOX | ZAHNSCHEIBE INOX | ARANDELA DENTADA INOX |
| 28 | | 21402020 | 2 | TUBO USCITA ACQUA | TUBE WATER OUTLET | TUBE SORTIE D'EAU | WASSERROHR | TUBO DE AGUA |

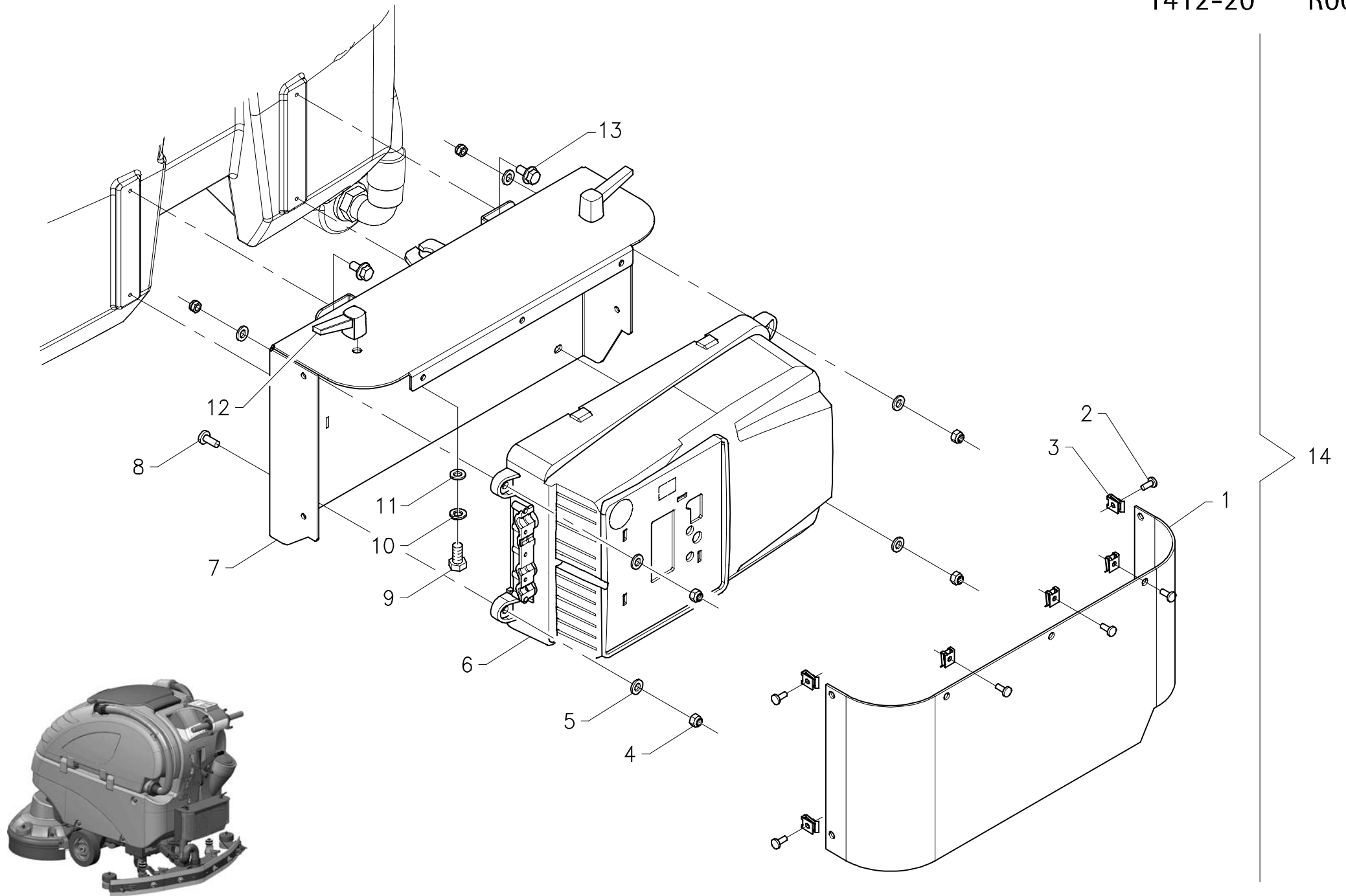


GRUPPO IMPIANTO ELETTRICO

ELECTRICAL LAYOUT ASSEMBLY • GROUPE INSTALLATION ELECTRIQUE • GRUPPE ELEKTRISCHE ANLAGE • GRUPO INSTALACIÓN ELÉCTRICA

1412-10 R01

| Pos. | S/N | Codice | Q.tà | Denominazione | Description | Description | Benennung | Descripción |
|------|-----|----------|------|-------------------------------------|-------------------------------|------------------------------|----------------------------|-----------------------------|
| 1 | | 60140404 | 4 | VITE M4x16 TCTC - UNI 7687 | SCREW | VIS | SCHRAUBE | TORNILLO |
| 2 | | 60504001 | 4 | RONDELLA Ø4 DENT. - DIN 6798/A | LOCK WASHER | RONDELLE FREIN | ZAHNSCHEIBE | ARANDELA DENTADA |
| 3 | | 49701210 | 1 | SCHEDA CHOPPER | CHOPPER CARD | FICHE ELECTRONIQUE | ELEKTRONIKKARTE | FICHA CHOPPER |
| 4 | | 49720006 | 1 | SCHEDINA MARTINETTO | CHECK CARD ACTUATOR | FICHE VERIN | KONTROLLKARTE SPINDELMOTOR | FICHA GATO |
| 5 | | 60140502 | 4 | VITE M5x8 TCTC - UNI 8112 | SCREW | VIS | SCHRAUBE | TORNILLO |
| 6 | | 63714003 | 1 | CLIPS PORTA FASCETTE | CLIP CLAMP HOLDER | CLIP PORTE-COLLIERS | KLIPP BRIDEHALTER | CLIP PORTA-ABRAZADERA |
| 7 | | 21412030 | 1 | PANNELLO IMPIANTO ELETTRICO | PANEL ELECTRICAL INSTALLATION | PANNEAU INSTALLATION ELECTR. | BLECH ELEKTRISCHE ANLAGE | PANEL INSTALACIÓN ELÉCTRICA |
| 8 | | 62800001 | 1 | PORTAFUSIBILE 1 VIA TERMINALI FAST. | FUSEHOLDER 1-WAY | PORTE-FUSIBLE 1-VOIE | SICHERUNGSHALTER 1-WEG | PORTAFUSIBILE 1-VIA |
| 9 | | 62800301 | 1 | FUSIBILE 3A A FASTON | FUSE | FUSIBLE | SICHERUNG | FUSIBILE |
| 10 | | 62800002 | 1 | PORTAMAXIFUSIBILE 1 VIA TERM.FAST. | MAXIFUSEHOLDER 1-WAY | PORTE-MAXIFUSIBLE 1-VOIE | MAXISICHERUNGSHALTER 1-WEG | PORTAMAXIFUSIBILE 1-VIA |
| 11 | | 62808002 | 1 | MAXIFUSIBILE 80A A FASTON | MAXIFUSE | MAXIFUSIBLE | MAXISICHERUNG | MAXIFUSIBILE |
| 12 | | 63717002 | 1 | PIASTRINA FISS. MAXI-PORTAFUSIBILI | FIXING PLAQUE | PLAQUETTE DE FIXATION | BEFESTIGUNGSAUFLAGE | PLAQUETA DE FIJACIÓN |
| 13 | | 60140504 | 2 | VITE M5x14 TCTC - UNI 7687 | SCREW | VIS | SCHRAUBE | TORNILLO |
| 14 | | 21412040 | 1 | PANNELLO COMPONENTI ELETTRICI | PANEL ELECTRIC COMPONENTS | PANNEAU PIECES ELECTRIQUES | BLECH ELEKTRISCHE TEILE | PANEL PIEZAS ELÉCTRICAS |
| 15 | | 60220502 | 1 | DADO M5 AUTOBL. - UNI 7474 | LOCK NUT | ECROU AUTOBLOQUANT | STOPMUTTER | TUERCA AUTOBLOQUEANTE |
| 16 | | 60160503 | 1 | GRANO M5x20 E.I. - UNI 5923 | DOWEL | VIS CYLINDRIQUE | MADENSCHRAUBE | TORNILLO PRISIONERO |
| 17 | | 60305001 | 1 | RONDELLA Ø5x10 - UNI 6592 | WASHER | RONDELLE | UNTERLAGSCHEIBE | ARANDELA |
| 18 | | 63706001 | 1 | ISOLATORE M5x20 F.F. | INSULATOR | ISOLATEUR | ISOLATOR | AISLADOR |
| 19 | | 60305001 | 1 | RONDELLA Ø5x10 - UNI 6592 | WASHER | RONDELLE | UNTERLAGSCHEIBE | ARANDELA |
| 20 | | 60505001 | 1 | RONDELLA Ø5 DENT. - DIN 6798/A | LOCK WASHER | RONDELLE FREIN | ZAHNSCHEIBE | ARANDELA DENTADA |
| 21 | | 60110501 | 1 | VITE M5x8 TE - UNI 5739 | SCREW | VIS | SCHRAUBE | TORNILLO |
| 22 | | 60140305 | 2 | VITE M3x25 TCTC - UNI 7687 | SCREW | VIS | SCHRAUBE | TORNILLO |
| 23 | | 63719007 | 1 | VENTOLA 24V Ø40 | FAN | VENTILATEUR | FLÜGELRAD | VENTILADOR |
| 24 | | 60140504 | 1 | VITE M5x14 TCTC - UNI 7687 | SCREW | VIS | SCHRAUBE | TORNILLO |
| 25 | | 60505002 | 1 | RONDELLA Ø5 GROWER - UNI 127B | LOCK WASHER | RONDELLE FREIN | ZAHNSCHEIBE | ARANDELA DENTADA |
| 26 | | 60305001 | 1 | RONDELLA Ø5x10 - UNI 6592 | WASHER | RONDELLE | UNTERLAGSCHEIBE | ARANDELA |

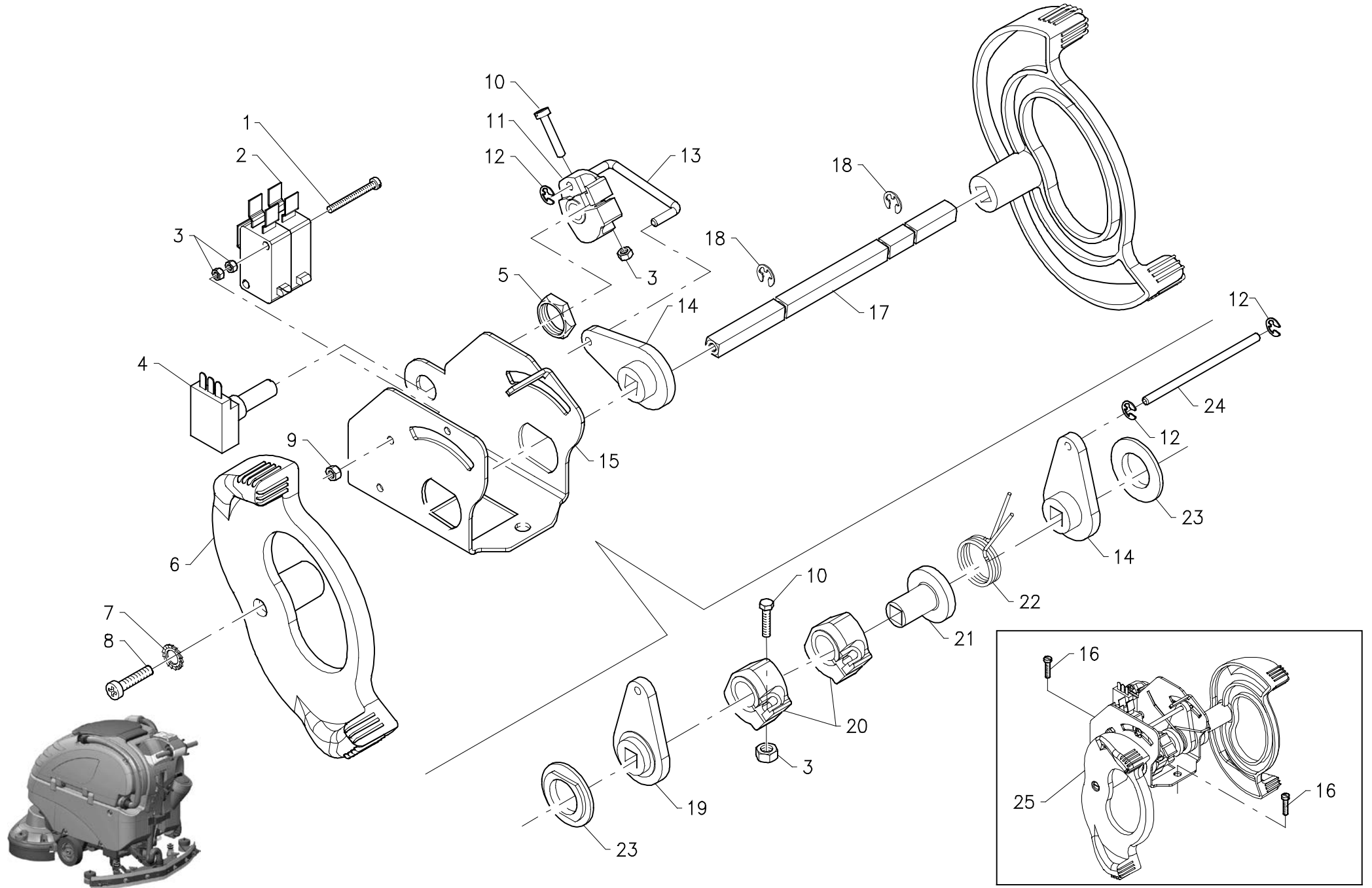


GRUPPO CARICA BATTERIE – CBHF2 24V 35A

BATTERY RECHARGER ASSEMBLY • GROUPE DE CHARGEUR DES BATTERIES • GRUPPE LADEGERÄT BATTERIEN • GRUPO CARGADOR DE LAS BATERÍAS

1412-20 R00

| Pos. | S/N | Codice | Q.tà | Denominazione | Description | Description | Benennung | Descripción |
|------|----------|----------|------|--|----------------------------|----------------------------|----------------------------|------------------------------|
| 1 | | 21412020 | 1 | PARASPRUZZI | SPLASH GUARD | BAVETTE DE PROTECTION | SPRITZGUMMI | PARASALPICADURAS |
| 2 | | 60140407 | 7 | VITE M4x10 TCTC - UNI 7687 ZINC. NERA | SCREW ZINC-C. BLACK | VIS GALVANISEE NOIR | SCHRAUBE VERZINKT SCHWARZ | TORNILLO NEGRO |
| 3 | | 60250401 | 7 | DADO RAPIDO A CLIPS M4 | CLIP NUT | ECROU A CLIPS | KLIPPMUTTER | TUERCA A CLIP |
| 4 | | 60220502 | 4 | DADO M5 AUTOBL. - UNI 7474 | LOCK NUT | ECROU AUTOBLQUANT | STOPMUTTER | TUERCA AUTOBLOQUEANTE |
| 5 | | 60305001 | 4 | RONDELLA Ø5x10 - UNI 6592 | WASHER | RONDELLE | UNTERLAGSCHEIBE | ARANDELA |
| 6 | | 64602018 | 1 | CARICABATTERIE 24V 35A | BATTERY RECHARGER | CHARGEUR BATTERIES | LADEGERÄT | CARGADOR BATERÍAS |
| 7 | | 21412010 | 1 | SUPPORTO CARICABATTERIE | SUPPORT RECHARGER | SUPPORT DU CHARGEUR | HALTERUNG LADEGERÄT | SOPORTE CARGADOR |
| 8 | | 60140505 | 4 | VITE M5x16 TCTC - UNI 7687 | SCREW | VIS | SCHRAUBE | TORNILLO |
| 9 | | 60110604 | 2 | VITE M6x12 TE - UNI 5739 | SCREW | VIS | SCHRAUBE | TORNILLO |
| 10 | | 60506004 | 2 | RONDELLA Ø6 GROWER RINF.-ASA B27 | LOCK WASHER | RONDELLE FREIN | ZAHNSCHEIBE | ARANDELA DENTADA |
| 11 | | 60306003 | 2 | RONDELLA Ø6x12 - UNI 6592 | WASHER | RONDELLE | UNTERLAGSCHEIBE | ARANDELA |
| 12 | | 61820002 | 2 | LEVA DI BLOCCAGGIO KFB 42 M6 | BLOCKING LEVER | LEVIER DE BLOCAGE | BLOCKIERUNGSHABEL | PALANCA DE BLOQUEO |
| 13 | | 60110609 | 4 | VITE M6x12 TE FLANGIATA DENT.-DIN 6921 | SCREW FLANGED | VIS A BRIDE | SCHRAUBE GEFLANSCHT | TORNILLO EMPALMADO |
| 14 | V1400001 | | 1 | KIT CARICABATTERIE A BORDO | ON BOARD CHARGER ASSY | CHARGEUR INCORPORE COMPLET | EINBAULADEGERÄT KOMPLETT | CARGADOR BATERÍAS COMPLETO |
| | V1400002 | | | KIT CARICABATTERIE A BORDO USA | ON BOARD CHARGER ASSY USA | CHARGEUR INCORPORE USA | EINBAULADEGERÄT KOMPL. USA | CARGADOR BATERÍAS COMPL. USA |
| | V1400003 | | | KIT CARICABATTERIE A BORDO AUSTRALIA | ON BOARD CHARGER AUSTRALIA | CHARGEUR INCORP. AUSTRALIA | EINBAULADEGERÄT AUSTRALIEN | CARGADOR BATERÍAS AUSTRALIA |

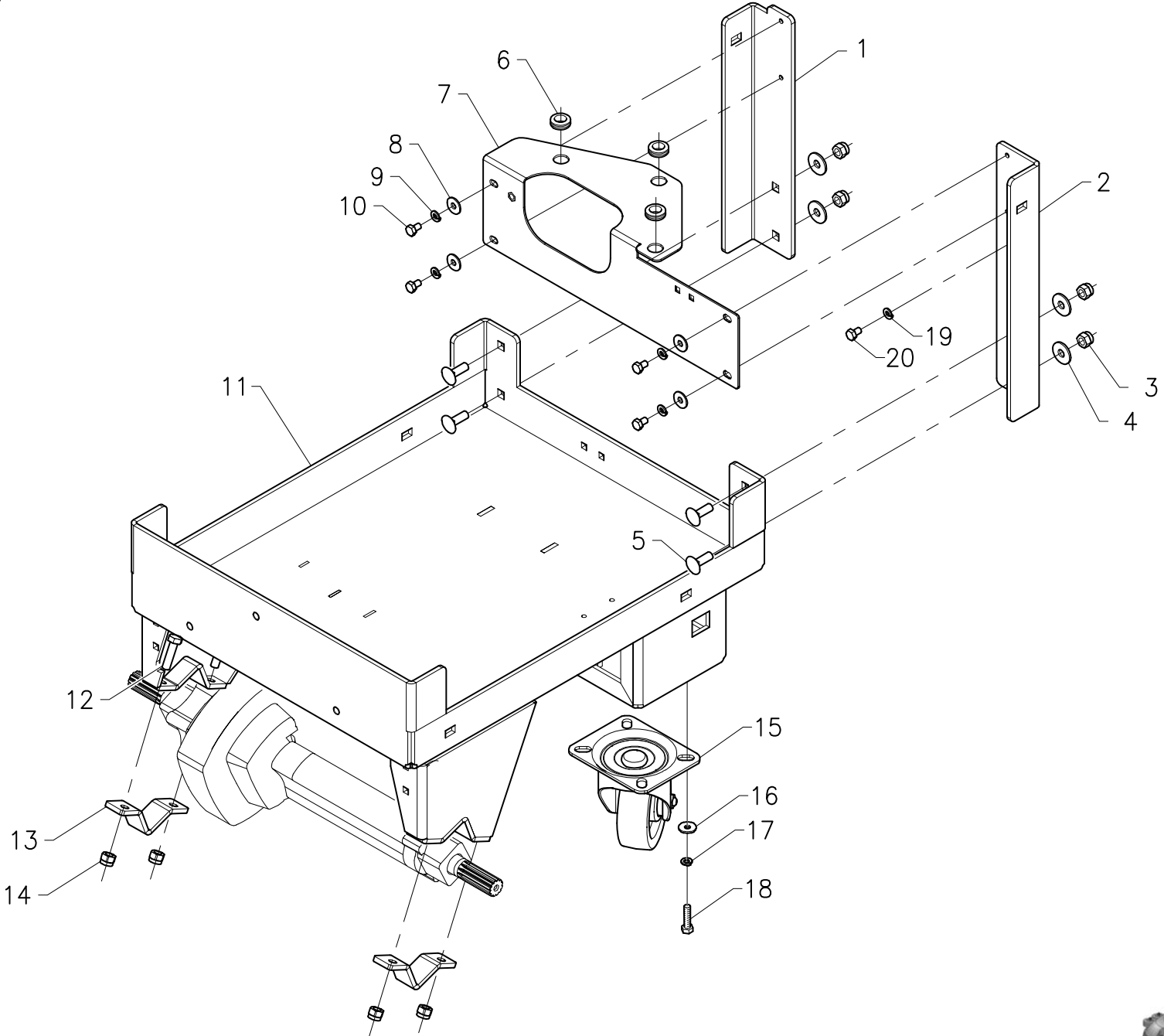


GRUPPO COMANDO MARCIA

TRACTION CONTROL ASSEMBLY • GROUPE COMMANDE DE TRACTION • GRUPPE ANTRIEBSBETÄTIGUNG • GRUPO MANDO DE MARCHA

1413-10 R00

| Pos. | S/N | Codice | Q.tà | Denominazione | Description | Description | Benennung | Descripción |
|------|-----|----------|------|----------------------------------|-------------------------|---------------------------|-----------------------------|---------------------------|
| 1 | | 60140307 | 2 | VITE M3x35 TCTC - UNI 7687 | SCREW | VIS | SCHRAUBE | TORNILLO |
| 2 | | 63409001 | 2 | MICROINTERRUTTORE 3x22 10A | MICROSWITCH | MICROINTERRUPTEUR | MIKROSCHALTER | MICROINTERRUPTOR |
| 3 | | 60210302 | 7 | DADO M3 - UNI 5587 OTTONE | NUT BRASS | ECROU LAITON | MESSINGMUTTER | TUERCA LATÓN |
| 4 | | 63415006 | 1 | POTENZIOMETRO ROTATIVO 2,5K | ROTATIVE POTENTIOMETER | POTENTIOMETRE ROTATIF | ROTATIONS-POTENTIOMETER | POTENCIÓMETRO ROTATIVO |
| 5 | | 63499004 | 1 | DADO PER POTENZIOMETRO 2,5K | NUT FOR POTENTIOMETER | ECROU POUR POTENTIOMETRE | MUTTER FÜR POTENTIOMETER | TUERCA PARA POTENCIÓMETRO |
| 6 | | 20113010 | 2 | MANETTA COMANDO MARCIA | LEVER DRIVE CONTROL | MANETTE COMMANDE MARCHÉ | HEBEL FAHRBETÄTIGUNG | MANETA MANDO MARCHA |
| 7 | | 60503002 | 2 | RONDELLA DENT. Ø3 - DIN 6798/A | LOCK WASHER | RONDELLE FREIN | ZAHNSCHEIBE | ARANDELA DENTADA |
| 8 | | 60140301 | 2 | VITE M3x10 TCTC - UNI 7687 | SCREW | VIS | SCHRAUBE | TORNILLO |
| 9 | | 60220301 | 2 | DADO M3 - AUTOBL. UNI 7473 | LOCK NUT | ECROU AUTOBLOQUANT | STOPMUTTER | TUERCA AUTOBLOQUEANTE |
| 10 | | 60140304 | 3 | VITE M3x14 TCTC - UNI 7687 | SCREW | VIS | SCHRAUBE | TORNILLO |
| 11 | | 20113110 | 1 | LEVA POTENZIOMETRO | LEVER POTENTIOMETER | LEVIER POTENTIOMETRE | HEBEL POTENTIOMETER | PALANCA POTENCIÓMETRO |
| 12 | | 61140002 | 3 | ANELLO AUTOBLOCCANTE ZA 3 | SELFLOCKING RING | ANNEAU AUTOBLOQUANT | SELBSTSPERRENDER RING | ANILLO AUTOBLOQUEANTE |
| 13 | | 20113080 | 1 | TIRANTE COMANDO MARCIA | TIE ROD DRIVE CONTROL | TIRANT COMMANDE DE MARCHÉ | SPANNSTANGE FAHRBETÄTIGUNG | TIRANTE MANDO MARCHA |
| 14 | | 20113050 | 2 | LEVA LATO MOLLA | LEVER SPRING SIDE | LEVIER COTE DE RESSORT | HEBEL FEDERSEITE | PALANCA LADO RESORTE |
| 15 | | 20113030 | 1 | SUPPORTO COMANDO MARCIA | SUPPORT DRIVE CONTROL | SUPPORT COMMANDE MARCHÉ | HALTERUNG FAHRBETÄTIGUNG | SOPORTE MANDO MARCHA |
| 16 | | 60140502 | 2 | VITE M5x8 TCTC - UNI 8112 | SCREW | VIS | SCHRAUBE | TORNILLO |
| 17 | | 20113040 | 1 | ALBERO CAMME | CAMSHAFT | ARBRE A CAMES | NOCKENWELLE | ÁRBOL DE LEVAS |
| 18 | | 61140001 | 2 | ANELLO DI ARRESTO RS5 - DIN 6799 | STOP RING | BAGUE D'ARRET | STOPRING | ANILLO DE PARADA |
| 19 | | 20113060 | 1 | LEVA | LEVER | LEVIER | HEBEL | PALANCA |
| 20 | | 20113070 | 2 | CAMMA MICRO COMANDO MARCIA | MICRO CAM DRIVE CONTROL | CAME MICRO COMM. MARCHÉ | NOCKEN MIKRO FAHRBETÄTIGUNG | LEVA MICRO MANDO MARCHA |
| 21 | | 47101120 | 1 | BOCCOLA | BUSHING | BAGUE | BUCHSE | CASQUILLO |
| 22 | | 47230020 | 1 | MOLLA COMANDO MARCIA | SPRING DRIVE CONTROL | RESSORT COMMANDE MARCHÉ | FEDER FAHRBETÄTIGUNG | RESORTE MANDO MARCHA |
| 23 | | 47101080 | 2 | BOCCOLA | BUSHING | BAGUE | BUCHSE | CASQUILLO |
| 24 | | 20113090 | 1 | FERMO MOLLA INOX | SPRING STOP INOX | ARRET DE RESSORT INOX | FEDERSPERRUNG INOX | SEGURO DE RESORTE INOX |
| 25 | | V0113501 | 1 | ASSIEME COMANDO MARCIA | ASSEMBLY DRIVE CONTROL | GROUPE COMMANDE DE MARCHÉ | FAHRBETÄTIGUNG KOMPLETT | GRUPO MANDO DE MARCHA |

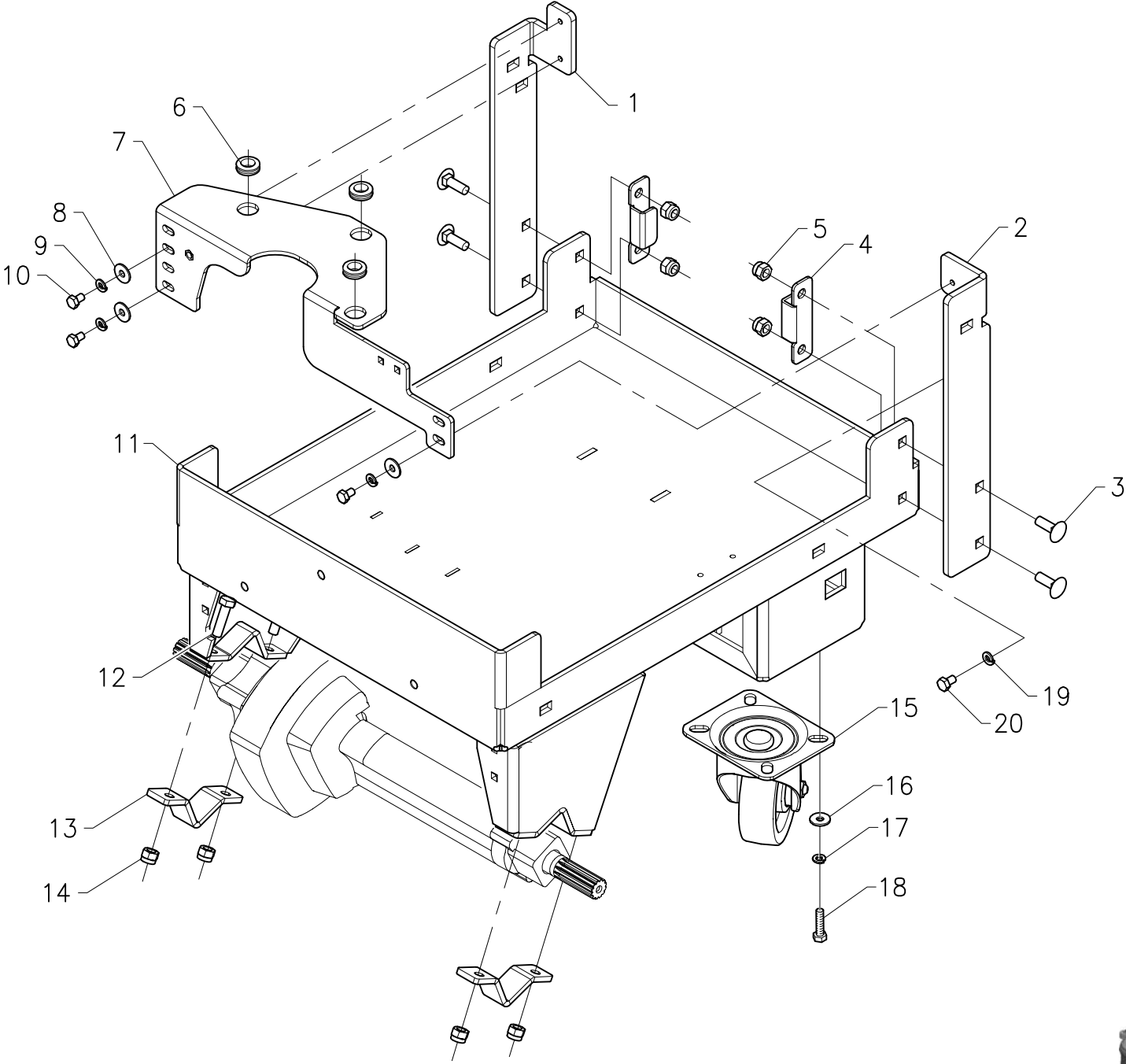


GRUPPO TELAIO

ASSY FRAME • GROUPE DE CHASSIS • GRUPPE RAHMEN • GRUPO BASTIDOR

1401-10 R01

| Pos. | S/N | Codice | Q.tà | Denominazione | Description | Description | Benennung | Descripción |
|------|-----|----------|------|-------------------------------------|-----------------------|-----------------------------|----------------------|-----------------------------|
| 1 | | 21401020 | 1 | MONTANTE DESTRO | FRAME POST RIGHT | MONTANT DROITE | SEITENSTÜCK RECHTS | MONTANTE DERECHO |
| 2 | | 21401030 | 1 | MONTANTE SINISTRO | FRAME POST LEFT | MONTANT GAUCHE | SEITENSTÜCK LINKS | MONTANTE IZQUIERDO |
| 3 | | 60220804 | 4 | DADO M8 AUTOBL. - UNI 7473 INOX | LOCK NUT INOX | ECROU AUTOBLOQUANT INOX | STOPMUTTER INOX | TUERCA AUTOBLOQUEANTE INOX |
| 4 | | 60308007 | 4 | RONDELLA Ø8x24 - UNI 6593 INOX | WASHER INOX | RONDELLE INOX | UNTERLAGSCHEIBE INOX | ARANDELA INOX |
| 5 | | 60100804 | 4 | VITE M8x25 TTQST - UNI 5732 | SCREW | VIS | SCHRAUBE | TORNILLO |
| 6 | | 63713005 | 3 | PASSACAVO | FAIRLEAD | PASSE-CABLE | KABELDURCHGANG | GUIACABLE |
| 7 | | 21401040 | 1 | SUPPORTO ASPIRATORE | SUPPORT SUCTION MOTOR | SUPPORT MOTEUR D'ASPIRATION | HALTERUNG SAUGMOTOR | SOPORTE MOTOR DE ASPIRACIÓN |
| 8 | | 60306008 | 4 | RONDELLA Ø6x18 - UNI 6593 INOX | WASHER INOX | RONDELLE INOX | UNTERLAGSCHEIBE INOX | ARANDELA INOX |
| 9 | | 60506007 | 4 | RONDELLA Ø6 GROWER-DIN 7980 INOX | LOCK WASHER INOX | RONDELLE FREIN INOX | ZAHNSCHEIBE INOX | ARANDELA DENTADA INOX |
| 10 | | 60110602 | 4 | VITE M6x10 TE - UNI 5739 INOX | SCREW INOX | VIS INOX | SCHRAUBE INOX | TORNILLO INOX |
| 11 | | 46114100 | 1 | TELAIO | FRAME | CHASSIS | RAHMEN | BASTIDOR |
| 12 | | 60110808 | 4 | VITE M8x25 TE - UNI 5739 INOX | SCREW INOX | VIS INOX | SCHRAUBE INOX | TORNILLO INOX |
| 13 | | 21401050 | 2 | MORSETTO MOTORIDUTTORE | HOLDFAST GEARED MOTOR | ETAU MOTO-REDUCTEUR | KLEMME GETRIEBEMOTOR | MORDAZA MOTORREDUCTOR |
| 14 | | 60220804 | 4 | DADO M8 AUTOBL. - UNI 7473 INOX | LOCK NUT INOX | ECROU AUTOBLOQUANT INOX | STOPMUTTER INOX | TUERCA AUTOBLOQUEANTE INOX |
| 15 | | 46531040 | 2 | RUOTA PIVOTANTE Ø100x30 | CASTOR WHEEL | ROUE PIVOTANTE | LENKROLLE | RUEDA PIVOTANTE |
| 16 | | 60308003 | 8 | RONDELLA Ø8x17 - UNI 6592 INOX | WASHER INOX | RONDELLE INOX | UNTERLAGSCHEIBE INOX | ARANDELA INOX |
| 17 | | 60508006 | 8 | RONDELLA Ø8 GROWER-DIN 127B INOX | LOCK WASHER INOX | RONDELLE FREIN INOX | ZAHNSCHEIBE INOX | ARANDELA DENTADA INOX |
| 18 | | 60110808 | 8 | VITE M8x25 TE - UNI 5739 INOX | SCREW INOX | VIS INOX | SCHRAUBE INOX | TORNILLO INOX |
| 19 | | 60506003 | 1 | RONDELLA DENT. Ø6 - DIN 6798/A INOX | LOCK WASHER INOX | RONDELLE FREIN INOX | ZAHNSCHEIBE INOX | ARANDELA DENTADA INOX |
| 20 | | 60110602 | 1 | VITE M6x10 TE - UNI 5739 INOX | SCREW INOX | VIS INOX | SCHRAUBE INOX | TORNILLO INOX |

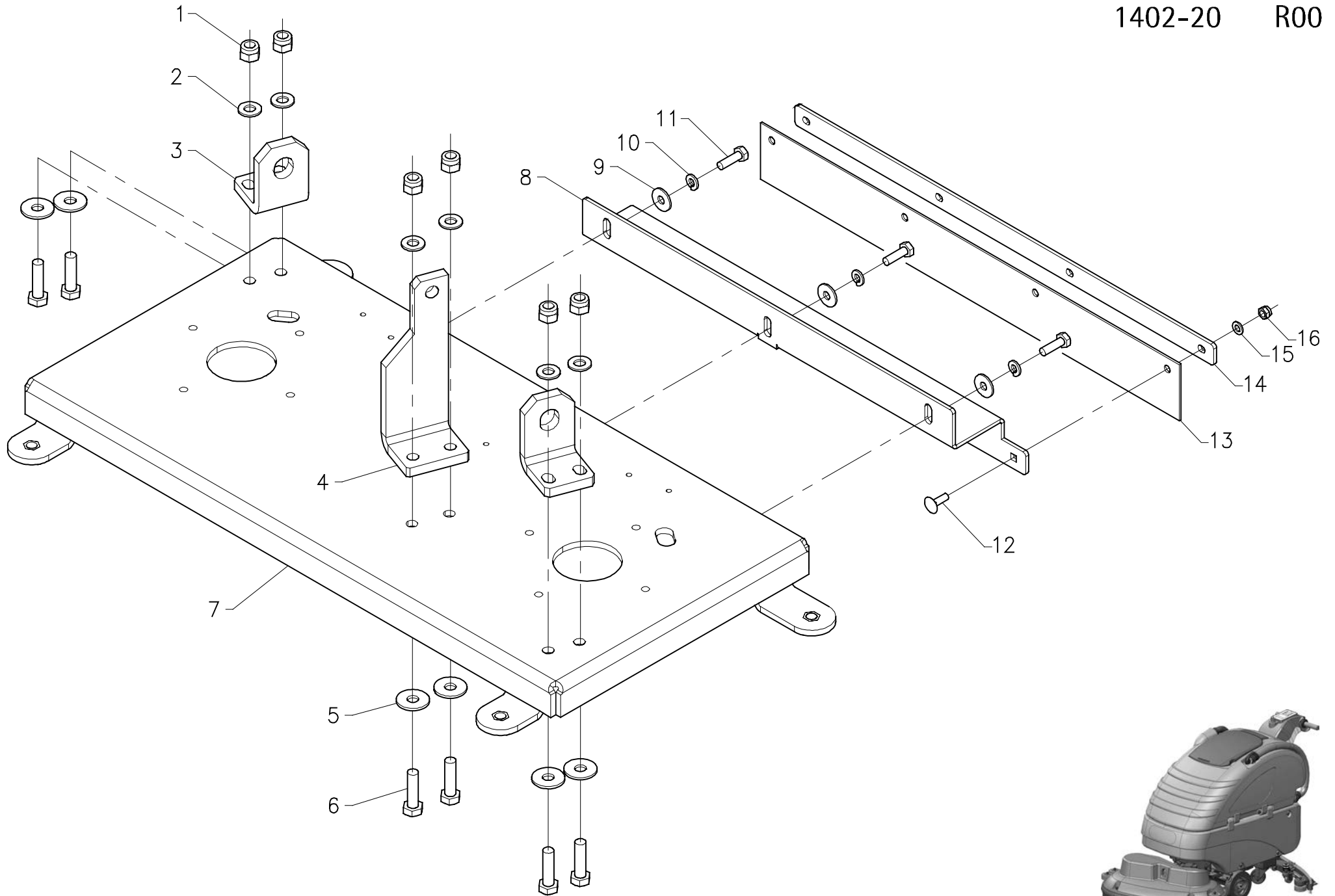


GRUPPO TELAIO - TROJAN

ASSY FRAME - TROJAN • GROUPE DE CHASSIS - TROJAN • GRUPPE RAHMEN - TROJAN • GRUPO BASTIDOR - TROJAN

1401-20 R01

| Pos. | S/N | Codice | Q.tà | Denominazione | Description | Description | Benennung | Descripción |
|------|-----|----------|------|-------------------------------------|-----------------------|-----------------------------|----------------------|-----------------------------|
| 1 | | 21401200 | 1 | MONTANTE DESTRO | FRAME POST RIGHT | MONTANT DROITE | SEITENSTÜCK RECHTS | MONTANTE DERECHO |
| 2 | | 21401210 | 1 | MONTANTE SINISTRO | FRAME POST LEFT | MONTANT GAUCHE | SEITENSTÜCK LINKS | MONTANTE IZQUIERDO |
| 3 | | 60100804 | 4 | VITE M8x25 TTQST - UNI 5732 | SCREW | VIS | SCHRAUBE | TORNILLO |
| 4 | | 21401230 | 2 | FERMO BATTERIE | BATTERY STOP | ARRET BATTERIES | BATTERIEBLOCKIERUNG | CERROJO BATERÍAS |
| 5 | | 60220804 | 4 | DADO M8 AUTOBL. - UNI 7473 INOX | LOCK NUT INOX | ECROU AUTOBLOQUANT INOX | STOPMUTTER INOX | TUERCA AUTOBLOQUEANTE INOX |
| 6 | | 63713006 | 3 | PASSACAVO | FAIRLEAD | PASSE-CABLE | KABELDURCHGANG | GUIACABLE |
| 7 | | 21401240 | 1 | SUPPORTO ASPIRATORE | SUPPORT SUCTION MOTOR | SUPPORT MOTEUR D'ASPIRATION | HALTERUNG SAUGMOTOR | SOPORTE MOTOR DE ASPIRACIÓN |
| 8 | | 60306008 | 3 | RONDELLA Ø6x18 - UNI 6593 INOX | WASHER INOX | RONDELLE INOX | UNTERLAGSCHEIBE INOX | ARANDELA INOX |
| 9 | | 60506007 | 3 | RONDELLA Ø6 GROWER-DIN 7980 INOX | LOCK WASHER INOX | RONDELLE FREIN INOX | ZAHNSCHEIBE INOX | ARANDELA DENTADA INOX |
| 10 | | 60110606 | 3 | VITE M6x14 TE - UNI 5739 INOX | SCREW INOX | VIS INOX | SCHRAUBE INOX | TORNILLO INOX |
| 11 | | 46114200 | 1 | TELAIO | FRAME | CHASSIS | RAHMEN | BASTIDOR |
| 12 | | 60110808 | 4 | VITE M8x25 TE - UNI 5739 INOX | SCREW INOX | VIS INOX | SCHRAUBE INOX | TORNILLO INOX |
| 13 | | 21401050 | 2 | MORSETTO MOTORIDUTTORE | HOLDFAST GEARED MOTOR | ETAU MOTO-REDUCTEUR | KLEMME GETRIEBEMOTOR | MORDAZA MOTORREDUCTOR |
| 14 | | 60220804 | 4 | DADO M8 AUTOBL. - UNI 7473 INOX | LOCK NUT INOX | ECROU AUTOBLOQUANT INOX | STOPMUTTER INOX | TUERCA AUTOBLOQUEANTE INOX |
| 15 | | 46531040 | 2 | RUOTA PIVOTANTE Ø100x30 | CASTOR WHEEL | ROUE PIVOTANTE | LENKROLLE | RUEDA PIVOTANTE |
| 16 | | 60308003 | 8 | RONDELLA Ø8x17 - UNI 6592 INOX | WASHER INOX | RONDELLE INOX | UNTERLAGSCHEIBE INOX | ARANDELA INOX |
| 17 | | 60508006 | 8 | RONDELLA Ø8 GROWER-DIN 127B INOX | LOCK WASHER INOX | RONDELLE FREIN INOX | ZAHNSCHEIBE INOX | ARANDELA DENTADA INOX |
| 18 | | 60110808 | 8 | VITE M8x25 TE - UNI 5739 INOX | SCREW INOX | VIS INOX | SCHRAUBE INOX | TORNILLO INOX |
| 19 | | 60506003 | 1 | RONDELLA DENT. Ø6 - DIN 6798/A INOX | LOCK WASHER INOX | RONDELLE FREIN INOX | ZAHNSCHEIBE INOX | ARANDELA DENTADA INOX |
| 20 | | 60110602 | 1 | VITE M6x10 TE - UNI 5739 INOX | SCREW INOX | VIS INOX | SCHRAUBE INOX | TORNILLO INOX |

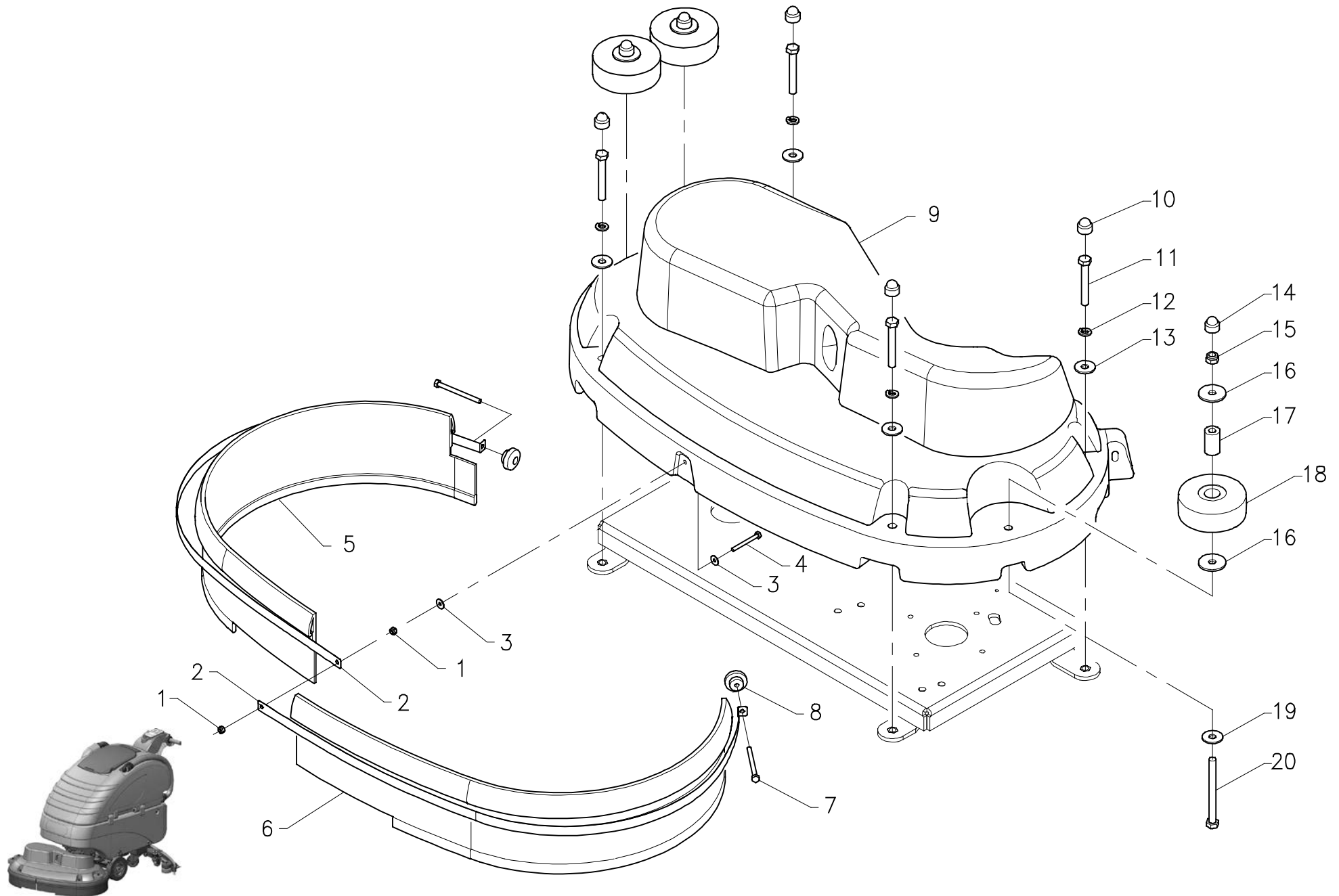


GRUPPO BASAMENTO OPAL 80

BRUSHES BASE ASSEMBLY • GROUPE D'EMBASE DES BROSSES • GRUPPE BÜRSTENGEHÄUSE • GRUPO BANCADA DE LOS CEPILLOS

1402-20 R00

| Pos. | S/N | Codice | Q.tà | Denominazione | Description | Description | Benennung | Descripción |
|------|-----|----------|------|----------------------------------|---------------------------|-------------------------|---------------------------|-----------------------------|
| 1 | | 60220804 | 6 | DADO M8 AUTOBL. - UNI 7473 INOX | LOCK NUT INOX | ECROU AUTOBLOQUANT INOX | STOPMUTTER INOX | TUERCA AUTOBLOQUEANTE INOX |
| 2 | | 60308003 | 6 | RONDELLA Ø8x17 - DIN 125A INOX | WASHER INOX | RONDELLE INOX | UNTERLAGSCHEIBE INOX | ARANDELA INOX |
| 3 | | 20302060 | 2 | ATTACCO BASAMENTO | BASE COUPLING | ATTAQUE D'EMBASE | HALTERUNG BÜRSTENGEHÄUSE | SOPORTE BANCADA |
| 4 | | 20302070 | 1 | ATTACCO TERZO PUNTO | SUPPORT | ATTAQUE | HALTERUNG | SOPORTE |
| 5 | | 60308007 | 6 | RONDELLA Ø8x24 - UNI 6593 INOX | WASHER INOX | RONDELLE INOX | UNTERLAGSCHEIBE INOX | ARANDELA INOX |
| 6 | | 60110810 | 6 | VITE M8x30 TE - UNI 5739 INOX | SCREW INOX | VIS INOX | SCHRAUBE INOX | TORNILLO INOX |
| 7 | | 48514010 | 1 | BASAMENTO SPAZZOLE | BRUSHES BASE | EMBASE DES BROSSES | BÜRSTENGEHÄUSE | BANCADA DE LOS CEPILLOS |
| 8 | | 21402030 | 1 | SUPPORTO PARASPRUZZI POSTERIORE | SUPPORT REAR SPLASH GUARD | SUPPORT BAVETTE ARRIERE | HALTERUNG SPRITZG. HINTEN | SOPORTE PARASALPIC. TRASERO |
| 9 | | 60306008 | 3 | RONDELLA Ø 6x18 - UNI 6593 INOX | WASHER INOX | RONDELLE INOX | UNTERLAGSCHEIBE INOX | ARANDELA INOX |
| 10 | | 60506007 | 3 | RONDELLA Ø6 GROWER-DIN 7980 INOX | LOCK WASHER INOX | RONDELLE FREIN INOX | ZAHNSCHEIBE INOX | ARANDELA DENTADA INOX |
| 11 | | 60110611 | 3 | VITE M6x20 TE - UNI 5739 INOX | SCREW INOX | VIS INOX | SCHRAUBE INOX | TORNILLO INOX |
| 12 | | 60100504 | 4 | VITE M5x16 TTQST - UNI 5732 INOX | SCREW INOX | VIS INOX | SCHRAUBE INOX | TORNILLO INOX |
| 13 | | 48614010 | 1 | PARASPRUZZI POSTERIORE | REAR SPLASH GUARD | BAVETTE ARRIERE | SPRITZGUMMI HINTEN | PARASALPICADURAS TRASERO |
| 14 | | 21402040 | 1 | LISTELLO PARASPRUZZI POSTERIORE | BLADE REAR SPLASH GUARD | LAME BAVETTE ARRIERE | LEISTE SPRITZGUMMI HINTEN | LISTÓN PARASALPIC. TRASERO |
| 15 | | 60305002 | 4 | RONDELLA Ø5x10 - UNI 6592 INOX | WASHER INOX | RONDELLE INOX | UNTERLAGSCHEIBE INOX | ARANDELA INOX |
| 16 | | 60220503 | 4 | DADO M5 AUTOBL. - UNI 7474 INOX | LOCK NUT INOX | ECROU AUTOBLOQUANT INOX | STOPMUTTER INOX | TUERCA AUTOBLOQUEANTE INOX |

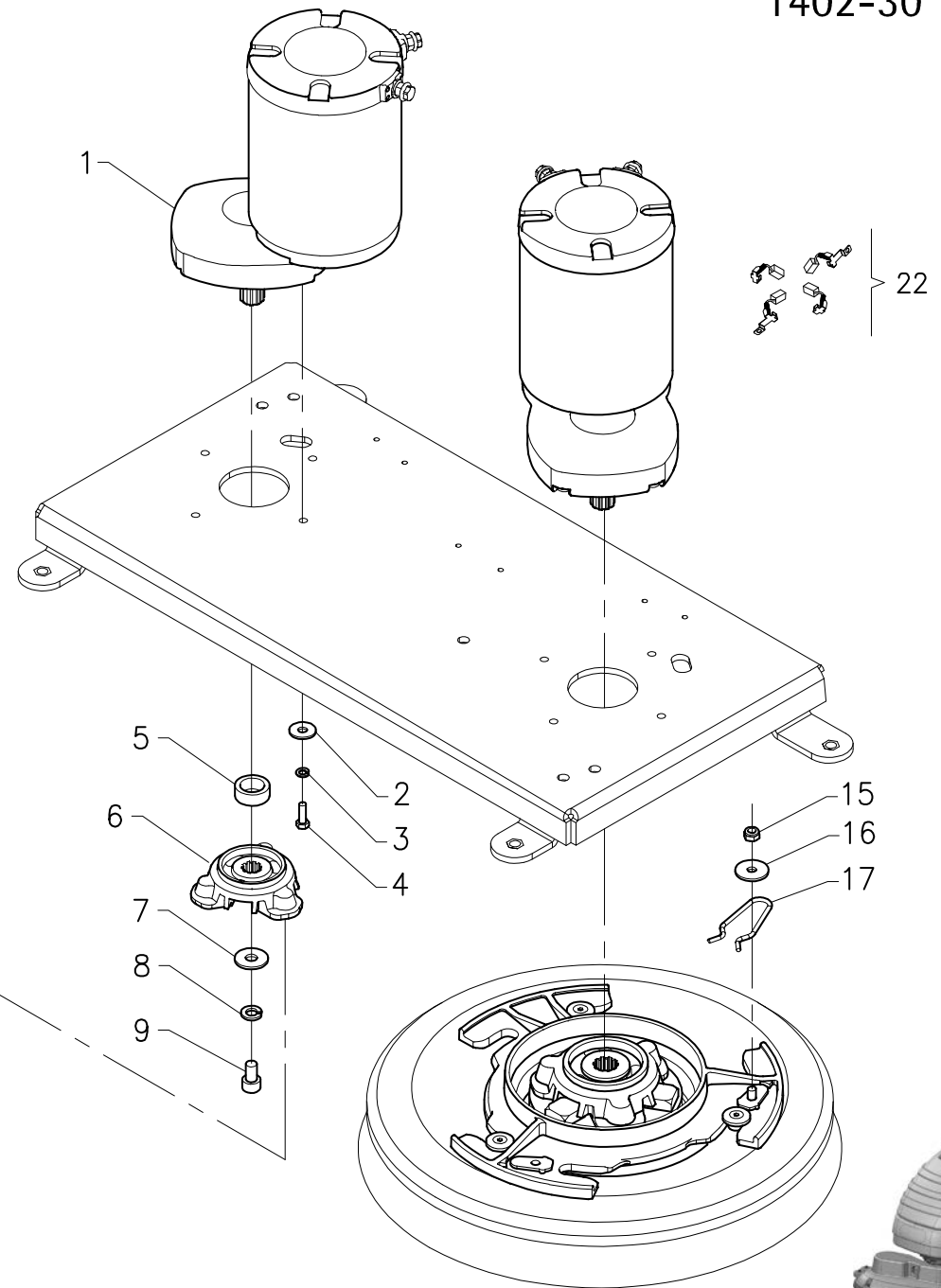
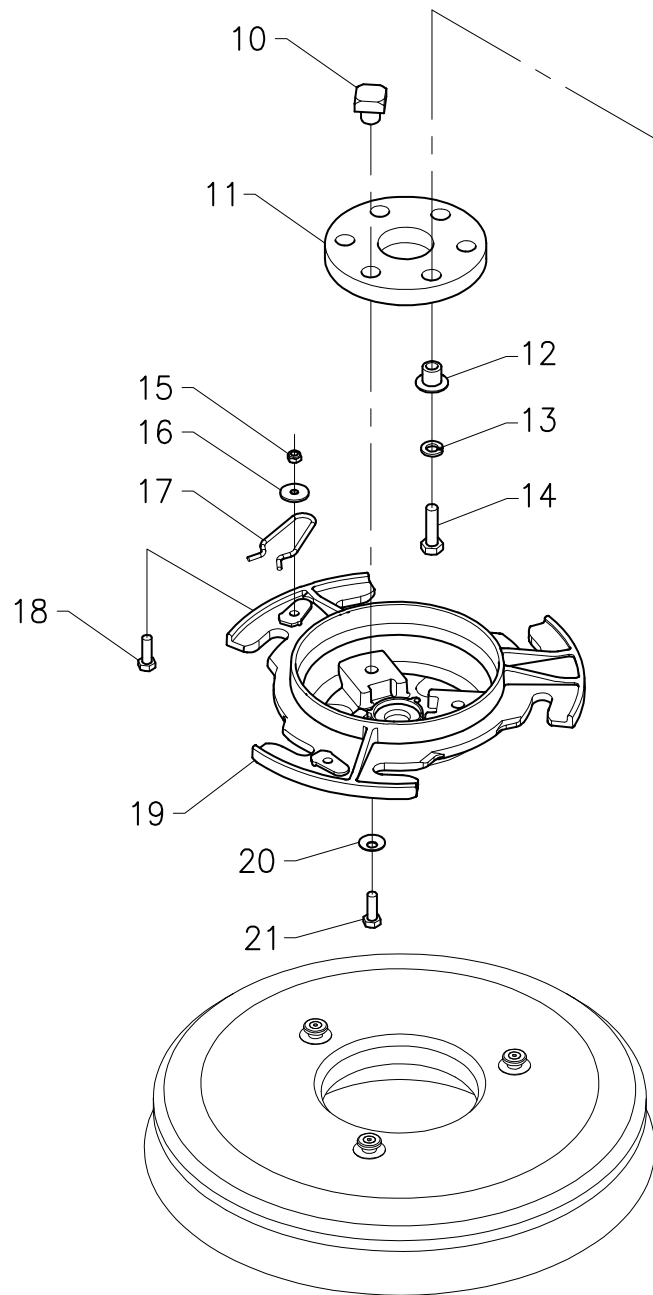


GRUPPO CARTER OPAL 80

COVER ASSEMBLY • GROUPE CARTER • GRUPPE ABDECKUNG • GRUPO CÁRTER

1402-21 R00

| Pos. | S/N | Codice | Q.tà | Denominazione | Description | Description | Benennung | Descripción |
|------|-----|----------|------|----------------------------------|--------------------|------------------------------|--------------------------|----------------------------|
| 1 | | 60220403 | 2 | DADO M4 AUTOBL. - UNI 7474 INOX | LOCK NUT INOX | ECROU AUTOBLOQUANT INOX | STOPMUTTER INOX | TUERCA AUTOBLOQUEANTE INOX |
| 2 | | 21402060 | 2 | LISTELLO PARASPRUZZI | BLADE SPLASH GUARD | LAME BAVETTE | SPRITZGUMMILEISTE | LISTÓN PARASALPICADURAS |
| 3 | | 60304005 | 2 | RONDELLA Ø4x12 - UNI 6593 INOX | WASHER INOX | RONDELLE INOX | UNTERLAGSCHEIBE INOX | ARANDELA INOX |
| 4 | | 60110414 | 1 | VITE M4x40 TE - UNI 5737 INOX | SCREW INOX | VIS INOX | SCHRAUBE INOX | TORNILLO INOX |
| 5 | | 48614020 | 1 | PARASPRUZZI DESTRO | SPLASH GUARD RIGHT | BAVETTE DE PROTECTION DROITE | SPRITZGUMMI RECHTS | PARASALPICADURAS DERECHO |
| 6 | | 48614030 | 1 | PARASPRUZZI SINISTRO | SPLASH GUARD LEFT | BAVETTE DE PROTECT. GAUCHE | SPRITZGUMMI LINKS | PARASALPICADURAS IZQUIERDO |
| 7 | | 60110527 | 2 | VITE M5x60 TE - UNI 5739 INOX | SCREW INOX | VIS INOX | SCHRAUBE INOX | TORNILLO INOX |
| 8 | | 61705002 | 2 | VOLANTINO | HANDWHEEL | VOLANT | HANDRAD | RUEDA DE MANIOBRA |
| 9 | | 21402050 | 1 | CARTER BASAMENTO | BRUSHES BASE COVER | CARTER D'EMBASE | ABDECKUNG BÜRSTENGEHÄUSE | CARTER BANCADA CEPILLOS |
| 10 | | 62040001 | 4 | COPRIDADO M8 NERO | NUT COVER BLACK | COUVRE-ECROU NOIR | MUTTERKAPPE SCHWARZ | CUBRETUERCA NEGRO |
| 11 | | 60110828 | 4 | VITE M8x60 TE - UNI 5737 INOX | SCREW INOX | VIS INOX | SCHRAUBE INOX | TORNILLO INOX |
| 12 | | 60508006 | 4 | RONDELLA Ø8 GROWER-DIN127/B INOX | LOCK WASHER INOX | RONDELLE FREIN INOX | ZAHNSCHEIBE INOX | ARANDELA DENTADA INOX |
| 13 | | 60308007 | 4 | RONDELLA Ø8x24 - UNI 6593 INOX | WASHER INOX | RONDELLE INOX | UNTERLAGSCHEIBE INOX | ARANDELA INOX |
| 14 | | 62040001 | 3 | COPRIDADO M8 NERO | NUT COVER BLACK | COUVRE-ECROU NOIR | MUTTERKAPPE SCHWARZ | CUBRETUERCA NEGRO |
| 15 | | 60220803 | 3 | DADO M8 AUTOBL. - UNI 7474 INOX | LOCK NUT INOX | ECROU AUTOBLOQUANT INOX | STOPMUTTER INOX | TUERCA AUTOBLOQUEANTE INOX |
| 16 | | 60308010 | 6 | RONDELLA Ø8x32 - UNI 6593 INOX | WASHER INOX | RONDELLE INOX | UNTERLAGSCHEIBE INOX | ARANDELA INOX |
| 17 | | 47101040 | 3 | BOCCOLA | BUSHING | BAGUE | BUCHSE | CASQUILLO |
| 18 | | 46541010 | 3 | RUOTA PARACOLPI Ø80x30 GRIGIA | BUMPER WHEEL GREY | ROUE DE BUTEE GRISE | ABWEISROLLE GRAU | RUEDA PARACHOQUES GRIS |
| 19 | | 60308007 | 3 | RONDELLA Ø8x24 - UNI 6593 INOX | WASHER INOX | RONDELLE INOX | UNTERLAGSCHEIBE INOX | ARANDELA INOX |
| 20 | | 60110839 | 3 | VITE M8x90 TE - UNI 5737 INOX | SCREW INOX | VIS INOX | SCHRAUBE INOX | TORNILLO INOX |



GRUPPO TRASMISSIONE BASAMENTO

TRANSMISSION ASSY BRUSHES BASE • GROUPE DE TRANSMISSION EMBASE DES BROSSES • GRUPPE ANTRIEB BÜRSTENGEHÄUSE • GRUPO TRANSMISIÓN BANCADA CEP.

1402-30 R00

| Pos. | S/N | Codice | Q.tà | Denominazione | Description | Description | Benennung | Descripción |
|------|-----|----------|------|--|-----------------------|------------------------------|--------------------------|-----------------------------|
| 1 | | 46200460 | 2 | MOTORIDUTTORE 24V 350W | GEARED MOTOR | MOTO REDUCTEUR | GERTIEBEMOTOR | MOTORREDUCTOR |
| 2 | | 60305006 | 8 | RONDELLA Ø5x20 - UNI 6593 INOX | WASHER INOX | RONDELLE INOX | UNTERLAGSCHEIBE INOX | ARANDELA INOX |
| 3 | | 60505003 | 8 | RONDELLA Ø5 DENT. - DIN 6798/A INOX | LOCK WASHER INOX | RONDELLE FREIN INOX | ZAHNSCHEIBE INOX | ARANDELA DENTADA INOX |
| 4 | | 60110507 | 8 | VITE M5x16 TE - UNI 5739 INOX | SCREW INOX | VIS INOX | SCHRAUBE INOX | TORNILLO INOX |
| 5 | | 47010010 | 2 | DISTANZIALE | SPACER | ENTRETOISE | DISTANZHÜLSE | DISTANCIADOR |
| 6 | | 21002010 | 2 | FLANGIA FORO SCANALATO | FLANGE SPLINED HOLE | FLASQUE TROU CANNELE | FLANSCH LOCH GENUTET | BRIDA HOYO ACANALADO |
| 7 | | 60308007 | 2 | RONDELLA Ø8x24 - UNI 6593 INOX | WASHER INOX | RONDELLE INOX | UNTERLAGSCHEIBE INOX | ARANDELA INOX |
| 8 | | 60508006 | 2 | RONDELLA Ø8 GROWER - DIN 127B INOX | LOCK WASHER INOX | RONDELLE FREIN INOX | ZAHNSCHEIBE INOX | ARANDELA DENTADA INOX |
| 9 | | 60130802 | 2 | VITE M8x14 TCEI - UNI 5931 INOX | SCREW INOX | VIS INOX | SCHRAUBE INOX | TORNILLO INOX |
| 10 | | 47103010 | 6 | BOCCOLA | BUSHING | BAGUE | BUCHSE | CASQUILLO |
| 11 | | 20302050 | 2 | GIUNTO ELASTICO | FLEXIBLE COUPLING | ENTRAINEMENT ELASTIQUE | GUMMIKUPPLUNG | ACOPLAMIENTO ELÁSTICO |
| 12 | | 47103020 | 6 | BOCCOLA | BUSHING | BAGUE | BUCHSE | CASQUILLO |
| 13 | | 60508006 | 6 | RONDELLA Ø8 GROWER - DIN 127B INOX | LOCK WASHER INOX | RONDELLE FREIN INOX | ZAHNSCHEIBE INOX | ARANDELA DENTADA INOX |
| 14 | | 60110810 | 8 | VITE M8x30 TE - UNI 5739 INOX | SCREW INOX | VIS INOX | SCHRAUBE INOX | TORNILLO INOX |
| 15 | | 60220602 | 2 | DADO M6 AUTOBL. - UNI 7474 INOX | LOCK NUT INOX | ECROU AUTOBLOQUANT INOX | STOPMUTTER INOX | TUERCA AUTOBLOQUEANTE INOX |
| 16 | | 60306011 | 2 | RONDELLA Ø6x24 - UNI 6593 INOX | WASHER INOX | RONDELLE INOX | UNTERLAGSCHEIBE INOX | ARANDELA INOX |
| 17 | | 47230100 | 2 | MOLLA BLOCCAGGIO SPAZZOLA | BLOCKING SPRING BRUSH | RESSORT DE BLOCAGE BROUSSE | BLOCKIERUNGSFEDER BÜRSTE | RESORTE DE BLOQUEO CEPILLO |
| 18 | | 60110606 | 2 | VITE M6x14 TE - UNI 5739 INOX | SCREW INOX | VIS INOX | SCHRAUBE INOX | TORNILLO INOX |
| 19 | | 20302250 | 2 | PIATTO PORTASPAZZOLA PLASTICA | BRUSH PLATE PLASTIC | PLATEAU DE BROUSSE PLASTIQUE | BÜRSTENTRÄGER PLASTIK | PLATO PORTACEPILLO PLÁSTICA |
| 20 | | 60508004 | 6 | RONDELLA CONICA Ø8,5x22x1,2 DENT. INT. | CONICAL WASHER | RONDELLE CONIQUE | KONISCHE SCHEIBE | ARANDELA CÓNICA |
| 21 | | 60110808 | 6 | VITE M8x25 TE - UNI 5739 INOX | SCREW INOX | VIS INOX | SCHRAUBE INOX | TORNILLO INOX |
| 22 | | 63607142 | 8 | SPAZZOLA MOTORE | CARBON BRUSH | CHARBON MOTEUR | KOHLEBÜRSTE | ESCOBILLA MOTOR |

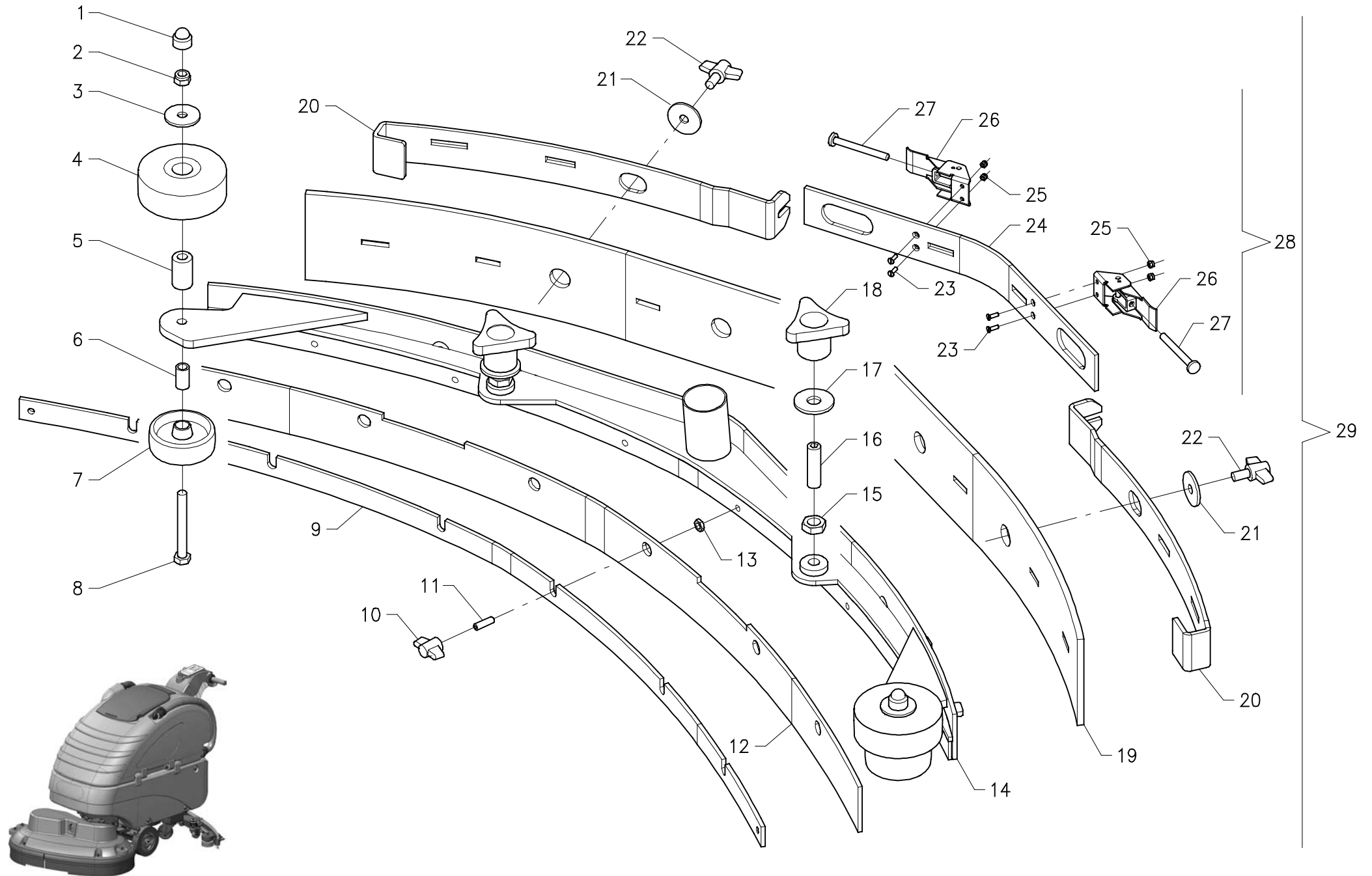
| Pos. | S/N | Codice | Q.tà | Denominazione | Description | Description | Benennung | Descripción |
|------|-----|----------|------|-----------------------------------|-----------------------------|---------------------------------|--------------------------|---------------------------------|
| 1 | | 61708003 | 1 | GALLETTO GB48 M8 | WING NUT | ECROU PAPILLON | FLÜGELMUTTER | MARIPOSA |
| 2 | | 60210806 | 1 | DADO M8 - UNI 5589 INOX | NUT INOX | ECROU INOX | MUTTER INOX | TUERCA INOX |
| 3 | | 20203550 | 1 | BOCCOLA SFERICA | SPHERICAL BUSHING | BAGUE SPHERIQUE | BUCHSE KUGELFÖRMIG | CASQUILLO ESFÉRICO |
| 4 | | 20203560 | 1 | SEDE PER BOCCOLA SFERICA | BRACKET SPHERICAL BUSHING | PLAQUE BAGUE SPHERIQUE | SITZ KUGELFÖRMIGE BUCHSE | ASIENTO CASQUILLO ESFÉRICO |
| 5 | | 62406009 | 1 | TIRANTE FILETTATO M8x150 INOX | THREADED TIE ROD INOX | TIRANT FILETE INOX | GEWINDESPANNSTANGE INOX | TIRANTE ROSCADO INOX |
| 6 | | 47220235 | 1 | MOLLA TRAZIONE CON INSERTO | TRACTION SPRING WITH INSERT | RESSORT DE TRACTION AVEC INSERT | ZUGFEDER MIT EINSATZ M8 | RESORTE DE TRACCIÓN CON INSERTO |
| 7 | | 60180803 | 3 | VITE M8x20 TPSEI - UNI 5933 INOX | SCREW INOX | VIS INOX | SCHRAUBE INOX | TORNILLO INOX |
| 8 | | 21401010 | 1 | PIASTRA MORSETTI | PLATE HOLDFASTS | PLAQUE DES ETAUX | KLEMMENPLATTE | PLANCHA MORDAZAS |
| 9 | | 60180611 | 2 | VITE M6x50 TPSEI - UNI 5933 INOX | SCREW INOX | VIS INOX | SCHRAUBE INOX | TORNILLO INOX |
| 10 | | 60180613 | 2 | VITE M6x55 TPSEI - UNI 5933 INOX | SCREW INOX | VIS INOX | SCHRAUBE INOX | TORNILLO INOX |
| 11 | | 20203520 | 4 | MORSETTO COMANDO BASAMENTO | HOLDFAST BASE CONTROL | ETAU COMMANDE EMBASE | KLEMME GEHÄUSEBETÄTIGUNG | MORDAZA MANDO BANCADA |
| 12 | | 60220602 | 4 | DADO M6 AUTOBL. - UNI 7474 INOX | LOCK NUT INOX | ECROU AUTOBLOQUANT INOX | STOPMUTTER INOX | TUERCA AUTOBLOQUEANTE INOX |
| 13 | | 21403030 | 1 | PERNO MARTINETTO | PIN ACTUATOR | AXE DE VERIN | BOLZEN SPINDELMOTOR | PERNO GATO |
| 14 | | 60800003 | 2 | SPILLO Ø2,4x48 | CLIP | EPINGLE | SPLINT | ESPIGA |
| 15 | | 46320065 | 1 | MARTINETTO 24V | ACTUATOR | VERIN | SPINDELMOTOR | GATO |
| 17 | | 62120806 | 1 | MOLLA SL10 PER PERNO | SPRING FOR PIN | RESSORT POUR AXE | FEDER FÜR BOLZEN | RESORTE PARA PERNO |
| 18 | | 62120805 | 1 | PERNO | PIN | AXE | BOLZEN | PERNO |
| 19 | | 21401060 | 1 | AGGANCIO MOLLA | SPRING COUPLER | ACCROCHAGE RESSORT | FEDERVERSCHLUSS | ENGANCHE RESORTE |
| 20 | | 21403050 | 1 | BRACCI COMANDO BASAMENTO | ARMS BASE CONTROL | BRAS COMMANDE EMBASE | ARME GEHÄUSEBETÄTIGUNG | BRAZOS MANDO BANCADA |
| 21 | | 20303040 | 2 | COLONNETTA BRACCI | STUD BOLT ARMS | COLONNETTE BRAS | GEWINDEBOLZEN ARME | PRISIONERO BRAZOS |
| 22 | | 60221001 | 2 | DADO M10 AUTOBL. - UNI 7474 INOX | LOCK NUT INOX | ECROU AUTOBLOQUANT INOX | STOPMUTTER INOX | TUERCA AUTOBLOQUEANTE INOX |
| 23 | | 60111012 | 1 | VITE M10x35 - UNI 5739 INOX | SCREW INOX | VIS INOX | SCHRAUBE INOX | TORNILLO INOX |
| 24 | | 60310004 | 1 | RONDELLA Ø10,5x20 - UNI 6592 INOX | WASHER INOX | RONDELLE INOX | UNTERLAGSCHEIBE INOX | ARANDELA INOX |
| 25 | | 60311002 | 2 | RONDELLA Ø10x30 - UNI 6593 INOX | WASHER INOX | RONDELLE INOX | UNTERLAGSCHEIBE INOX | ARANDELA INOX |
| 26 | | 47103050 | 1 | BOCCOLA | BUSHING | BAGUE | BUCHSE | CASQUILLO |
| 27 | | 60221001 | 2 | DADO M10 AUTOBL. - UNI 7474 INOX | LOCK NUT INOX | ECROU AUTOBLOQUANT INOX | STOPMUTTER INOX | TUERCA AUTOBLOQUEANTE INOX |
| 28 | | 21403060 | 1 | BRACCIO TERZO PUNTO | ARM | BRAS | ARM | BRAZO |
| 29 | | 47210100 | 1 | MOLLA COMPRESIONE | COMPRESSION SPRING | RESSORT DE COMPRESSION | DRUCKFEDER | RESORTE DE COMPRESIÓN |
| 30 | | 47003060 | 1 | DISTANZIALE | SPACER | ENTRETOISE | DISTANZHÜLSE | DISTANCIADOR |
| 31 | | 20303080 | 1 | REGISTRO TERZO PUNTO | ARM ADJUSTER | REGISTRE DE BRAS | ARMREGULIERUNG | REGULADOR DEL BRAZO |
| 32 | | 60221202 | 1 | DADO M12 AUTOBL. - UNI 7474 INOX | LOCK NUT INOX | ECROU AUTOBLOQUANT INOX | STOPMUTTER INOX | TUERCA AUTOBLOQUEANTE INOX |
| 33 | | 60210812 | 1 | DADO M8 - UNI 5588 INOX | NUT INOX | ECROU INOX | MUTTER INOX | TUERCA INOX |
| 34 | | 60508006 | 1 | RONDELLA Ø8 GROWER-DIN 127B INOX | LOCK WASHER INOX | RONDELLE FREIN INOX | ZAHNSCHEIBE INOX | ARANDELA DENTADA INOX |
| 35 | | 60100814 | 1 | VITE M8x75 TTQST - UNI 5732 | SCREW | VIS | SCHRAUBE | TORNILLO |
| 36 | | 60220803 | 1 | DADO M8 AUTOBL. - UNI 7474 INOX | LOCK NUT INOX | ECROU AUTOBLOQUANT INOX | STOPMUTTER INOX | TUERCA AUTOBLOQUEANTE INOX |

GRUPPO COMANDO BASAMENTO OPAL 80

BRUSHES BASE CONTROL ASSEMBLY • GROUPE COMMANDE EMBASE DES BROSSES • GRUPPE BÜRSTENBETÄTIGUNG • GRUPO MANDO BANCADA DE LOS CEPILLOS

1403-20 R00

| Pos. | S/N | Codice | Q.tà | Denominazione | Description | Description | Benennung | Descripción |
|------|-----|----------|------|-----------------------------------|-----------------------------|---------------------------------|--------------------------|---------------------------------|
| 1 | | 61708003 | 1 | GALLETTO GB48 M8 | WING NUT | ECROU PAPILLON | FLÜGELMUTTER | MARIPOSA |
| 2 | | 60210806 | 1 | DADO M8 - UNI 5589 INOX | NUT INOX | ECROU INOX | MUTTER INOX | TUERCA INOX |
| 3 | | 20203550 | 1 | BOCCOLA SFERICA | SPHERICAL BUSHING | BAGUE SPHERIQUE | BUCHSE KUGELFÖRMIG | CASQUILLO ESFÉRICO |
| 4 | | 20203560 | 1 | SEDE PER BOCCOLA SFERICA | BRACKET SPHERICAL BUSHING | PLAQUE BAGUE SPHERIQUE | SITZ KUGELFÖRMIGE BUCHSE | ASIENTO CASQUILLO ESFÉRICO |
| 5 | | 62406009 | 1 | TIRANTE FILETTATO M8x150 INOX | THREADED TIE ROD INOX | TIRANT FILETE INOX | GEWINDESPANNSTANGE INOX | TIRANTE ROSCADO INOX |
| 6 | | 47220235 | 1 | MOLLA TRAZIONE CON INSERTO | TRACTION SPRING WITH INSERT | RESSORT DE TRACTION AVEC INSERT | ZUGFEDER MIT EINSATZ M8 | RESORTE DE TRACCIÓN CON INSERTO |
| 7 | | 60180803 | 3 | VITE M8x20 TPSEI - UNI 5933 INOX | SCREW INOX | VIS INOX | SCHRAUBE INOX | TORNILLO INOX |
| 8 | | 21401010 | 1 | PIASTRA MORSETTI | PLATE HOLDFASTS | PLAQUE DES ETAUX | KLEMMENPLATTE | PLANCHA MORDAZAS |
| 9 | | 60180611 | 2 | VITE M6x50 TPSEI - UNI 5933 INOX | SCREW INOX | VIS INOX | SCHRAUBE INOX | TORNILLO INOX |
| 10 | | 60180613 | 2 | VITE M6x55 TPSEI - UNI 5933 INOX | SCREW INOX | VIS INOX | SCHRAUBE INOX | TORNILLO INOX |
| 11 | | 20203520 | 4 | MORSETTO COMANDO BASAMENTO | HOLDFAST BASE CONTROL | ETAU COMMANDE EMBASE | KLEMME GEHÄUSEBETÄTIGUNG | MORDAZA MANDO BANCADA |
| 12 | | 60220602 | 4 | DADO M6 AUTOBL. - UNI 7474 INOX | LOCK NUT INOX | ECROU AUTOBLOQUANT INOX | STOPMUTTER INOX | TUERCA AUTOBLOQUEANTE INOX |
| 13 | | 21403030 | 1 | PERNO MARTINETTO | PIN ACTUATOR | AXE DE VERIN | BOLZEN SPINDELMOTOR | PERNO GATO |
| 14 | | 60800003 | 2 | SPILLO Ø2,4x48 | CLIP | EPINGLE | SPLINT | ESPIGA |
| 15 | | 46320065 | 1 | MARTINETTO 24V | ACTUATOR | VERIN | SPINDELMOTOR | GATO |
| 17 | | 62120806 | 1 | MOLLA SL10 PER PERNO | SPRING FOR PIN | RESSORT POUR AXE | FEDER FÜR BOLZEN | RESORTE POR PERNO |
| 18 | | 62120805 | 1 | PERNO | PIN | AXE | BOLZEN | PERNO |
| 19 | | 21401060 | 1 | AGGANCIO MOLLA | SPRING COUPLER | ACCROCHAGE RESSORT | FEDERVERSCHLUSS | ENGANCHE RESORTE |
| 20 | | 21403050 | 1 | BRACCI COMANDO BASAMENTO | ARMS BASE CONTROL | BRAS COMMANDE EMBASE | ARME GEHÄUSEBETÄTIGUNG | BRAZOS MANDO BANCADA |
| 21 | | 20303040 | 2 | COLONNETTA BRACCI | STUD BOLT ARMS | COLONNETTE BRAS | GEWINDEBOLZEN ARME | PRISIONERO BRAZOS |
| 22 | | 60221001 | 2 | DADO M10 AUTOBL. - UNI 7474 INOX | LOCK NUT INOX | ECROU AUTOBLOQUANT INOX | STOPMUTTER INOX | TUERCA AUTOBLOQUEANTE INOX |
| 23 | | 60111012 | 1 | VITE M10x35 - UNI 5739 INOX | SCREW INOX | VIS INOX | SCHRAUBE INOX | TORNILLO INOX |
| 24 | | 60310004 | 1 | RONDELLA Ø10,5x20 - UNI 6592 INOX | WASHER INOX | RONDELLE INOX | UNTERLAGSCHEIBE INOX | ARANDELA INOX |
| 25 | | 60311002 | 2 | RONDELLA Ø10x30 - UNI 6593 INOX | WASHER INOX | RONDELLE INOX | UNTERLAGSCHEIBE INOX | ARANDELA INOX |
| 26 | | 47103050 | 1 | BOCCOLA | BUSHING | BAGUE | BUCHSE | CASQUILLO |
| 27 | | 60221001 | 2 | DADO M10 AUTOBL. - UNI 7474 INOX | LOCK NUT INOX | ECROU AUTOBLOQUANT INOX | STOPMUTTER INOX | TUERCA AUTOBLOQUEANTE INOX |
| 28 | | 21403060 | 1 | BRACCIO TERZO PUNTO | ARM | BRAS | ARM | BRAZO |
| 29 | | 47210100 | 1 | MOLLA COMPRESIONE | COMPRESSION SPRING | RESSORT DE COMPRESSION | DRUCKFEDER | RESORTE DE COMPRESIÓN |
| 30 | | 47003060 | 1 | DISTANZIALE | SPACER | ENTRETOISE | DISTANZHÜLSE | DISTANCIADOR |
| 31 | | 20303080 | 1 | REGISTRO TERZO PUNTO | ARM ADJUSTER | REGISTRE DE BRAS | ARMREGULIERUNG | REGULADOR DEL BRAZO |
| 32 | | 60221202 | 1 | DADO M12 AUTOBL. - UNI 7474 INOX | LOCK NUT INOX | ECROU AUTOBLOQUANT INOX | STOPMUTTER INOX | TUERCA AUTOBLOQUEANTE INOX |
| 33 | | 60210812 | 1 | DADO M8 - UNI 5588 INOX | NUT INOX | ECROU INOX | MUTTER INOX | TUERCA INOX |
| 34 | | 60508006 | 1 | RONDELLA Ø8 GROWER-DIN 127B INOX | LOCK WASHER INOX | RONDELLE FREIN INOX | ZAHNSCHEIBE INOX | ARANDELA DENTADA INOX |
| 35 | | 60100814 | 1 | VITE M8x75 TTQST - UNI 5732 | SCREW | VIS | SCHRAUBE | TORNILLO |
| 36 | | 60220803 | 1 | DADO M8 AUTOBL. - UNI 7474 INOX | LOCK NUT INOX | ECROU AUTOBLOQUANT INOX | STOPMUTTER INOX | TUERCA AUTOBLOQUEANTE INOX |

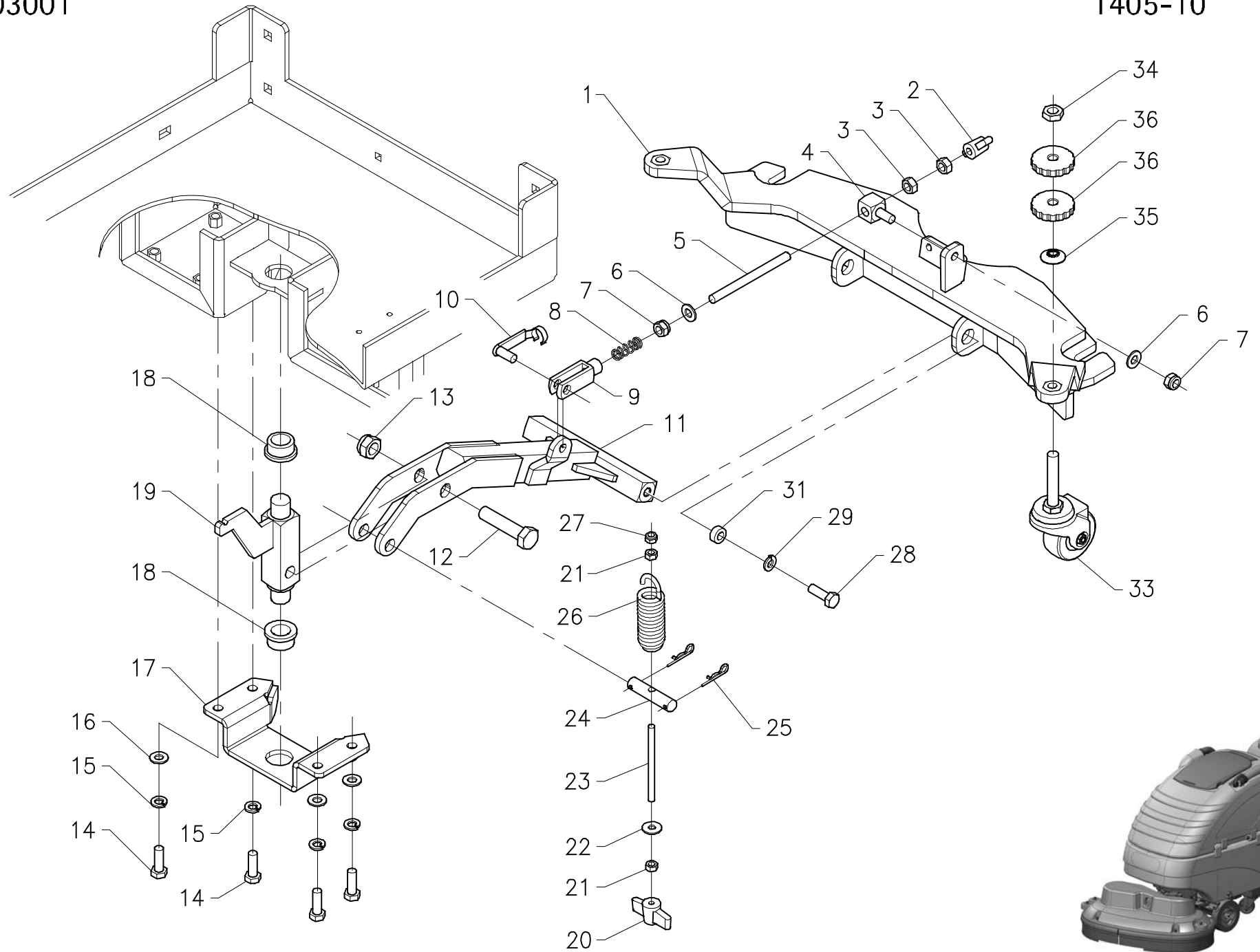


GRUPPO TERGIPAVIMENTO OPAL 80

SQUEEGEE ASSEMBLY • ENSEMBLE DE SUCEUR • GRUPPE SAUGFUSS • GRUPO BOQUILLA DE SECADO

1404-20 R01

| Pos. | S/N | Codice | Q.tà | Denominazione | Description | Description | Benennung | Descripción |
|------|-----|----------|------|---------------------------------|----------------------------|--------------------------------|----------------------------|-------------------------------|
| 1 | | 62040001 | 2 | COPRIDADO M8 NERO | NUT COVER | COVER ECROU | MUTTERKAPPE | CUBRETIJERA |
| 2 | | 60220803 | 2 | DADO M8 AUTOBL. - UNI7474 INOX | LOCK NUT INOX | ECROU AUTOBLOQUANT INOX | STOPMUTTER INOX | TUERCA AUTOBLOQUEANTE INOX |
| 3 | | 60308010 | 2 | RONDELLA Ø8x32 - UNI 6593 INOX | WASHER INOX | RONDELLE INOX | UNTERLAGSCHEIBE INOX | ARANDELA INOX |
| 4 | | 46541010 | 2 | RUOTA PARACOLPI Ø80x30 GRIGIA | WHEEL | ROUE | RAD | RUEDA |
| 5 | | 47101040 | 2 | BOCCOLA | BUSHING | BAGUE | BUCHSE | CASQUILLO |
| 6 | | 47106060 | 2 | BOCCOLA | BUSHING | BAGUE | BUCHSE | CASQUILLO |
| 7 | | 46511060 | 2 | RUOTA PARACOLPI Ø60x22 | WHEEL | ROUE | RAD | RUEDA |
| 8 | | 60110837 | 2 | VITE M8x70 TE - UNI 5737 INOX | SCREW INOX | VIS INOX | SCHRAUBE INOX | TORNILLO INOX |
| 9 | | 48306170 | 1 | LAMA PREMIGOMMA ANTERIORE | BLADE | PLAQUETTE | LEISTE | LISTÓN |
| 10 | | 61706004 | 6 | GALLETTO GB34 M6 CIECO INOX | WING NUT INOX | ECROU PAPILLON INOX | FLÜGELMUTTER INOX | MARIPOSA INOX |
| 11 | | 60160607 | 6 | GRANO M6x20 - UNI 5923 INOX | DOWEL INOX | VIS CYLINDRIQUE INOX | MADENSCHRAUBE INOX | TORNILLO PRISIONERO INOX |
| 12 | | 48406210 | 1 | GOMMA ANTERIORE | FRONT RUBBER | BAVETTE | FRONT SAUGGUMMI | LABIO DELANTERO |
| 13 | | 60210601 | 6 | DADO M6 - DIN 439 INOX | NUT INOX | ECROU INOX | MUTTER INOX | TUERCA INOX |
| 14 | | 48214010 | 1 | CORPO TERGIPAVIMENTO | SQUEEGEE BODY | CORPS DE SUCEUR | SAUGFUSSKÖRPER | CUERPO BOQUILLA DE SECADO |
| 15 | | 60211203 | 2 | DADO M12 - UNI 5589 INOX | NUT INOX | ECROU INOX | MUTTER INOX | TUERCA INOX |
| 16 | | 60161200 | 2 | GRANO M12x40 - UNI 5923 INOX | DOWEL INOX | VIS CYLINDRIQUE INOX | MADENSCHRAUBE INOX | TORNILLO PRISIONERO INOX |
| 17 | | 60312006 | 2 | RONDELLA Ø12x36 - UNI 6593 INOX | WASHER INOX | RONDELLE INOX | UNTERLAGSCHEIBE INOX | ARANDELA INOX |
| 18 | | 61712002 | 2 | VOLANTINO | HANDWHEEL | VOLANT | HANDGRIFF | RUEDA DE MANIOBRA |
| 19 | | 48406190 | 1 | GOMMA POSTERIORE 40 SH | REAR RUBBER | BAVETTE ARRIERE | HINTERER SAUGGUMMI | LABIO TRASERO |
| 20 | | 21404020 | 2 | AGGANCIO LAMA PREMIGOMMA POST. | COUPLER REAR RUBBER BLADE | ACCROCHAGE LAME ARRIERE | HINTERE ARRETIERUNG LEISTE | ENGANCHE TRASERO LISTÓN |
| 21 | | 60308010 | 2 | RONDELLA Ø8x32 - UNI 6593 INOX | WASHER INOX | RONDELLE INOX | UNTERLAGSCHEIBE INOX | ARANDELA INOX |
| 22 | | 61708008 | 2 | GALLETTO GP40 M8x12 PERNO INOX | WING NUT INOX | ECROU PAPILLON INOX | FLÜGELMUTTER INOX | MARIPOSA INOX |
| 23 | | 60150303 | 4 | VITE M3x10 TSP - UNI 7688 INOX | SCREW INOX | VIS INOX | SCHRAUBE INOX | TORNILLO INOX |
| 24 | | 48307200 | 1 | LAMA PREMIGOM. POST. CENTRALE | REAR, CENTRAL RUBBER BLADE | LAME BAVETTE CENTRALE, ARRIERE | GUMMILEISTE MITTE, HINTEN | LISTÓN LABIO CENTRAL, TRASERO |
| 25 | | 60220302 | 4 | DADO M3 AUTOBL. - UNI 7473 INOX | LOCK NUT INOX | ECROU AUTOBLOQUANT INOX | STOPMUTTER INOX | TUERCA AUTOBLOQUEANTE INOX |
| 26 | | 62200005 | 2 | CHIUSURA A LEVA | CLOSING LEVER ADJUSTABLE | FERMETURE A LEVIER | HEBELSCHLIESSUNG | CIERRE A PALANCA |
| 27 | | 60140610 | 2 | VITE M6x60 TCTC - UNI 7687 INOX | SCREW INOX | VIS INOX | SCHRAUBE INOX | TORNILLO INOX |
| 28 | | V8307050 | 1 | ASSIEME LAMA PREMIGOMMA POST. | REAR BLADE ASSEMBLY | LAME ARRIERE COMPLET | HINTERE LEISTE KOMPLETT | LISTÓN TRASERO COMPLETO |
| 29 | | V8214010 | 1 | ASSIEME TERGIPAVIM. MM.990 | SQUEEGEE ASSEMBLY | SUCEUR COMPLET | SAUGFUSS KOMPLETT | BOQUILLA DE SECADO COMPLETO |

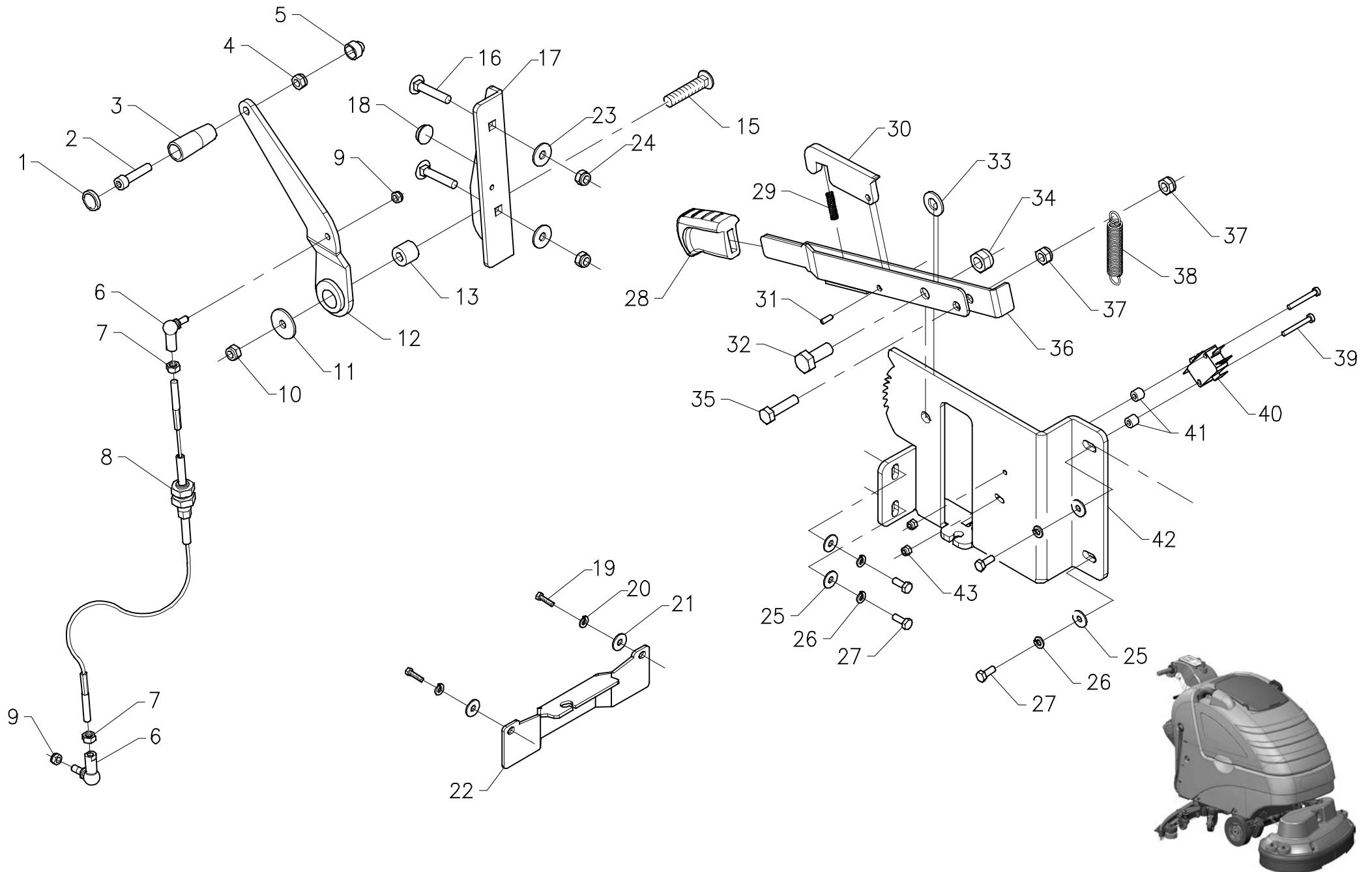


GRUPPO COMANDO TERGIPAVIMENTO

SQUEEGEE CONTROL ASSEMBLY • GROUPE COMMANDE DU SUCEUR • GRUPPE SAUGFUSSBETÄTIGUNG • GRUPO MANDO BOQUILLA DE SECADO

1405-10 R03

| Pos. | S/N | Codice | Q.tà | Denominazione | Description | Description | Benennung | Descripción |
|------|-----|----------|------|--------------------------------------|-----------------------|-------------------------|--------------------------|----------------------------|
| 1 | | 21405070 | 1 | ATTACCO TERGIPAVIMENTO | SQUEEGEE SUPPORT | SUPPORT DE SUCEUR | SAUGFUSSHALTERUNG | SOPORTE BOQUILLA DE SECADO |
| 2 | | 61708002 | 1 | GALLETTO GB40 M8 | WING NUT | ECROU PAPILLON | FLÜGELMUTTER | MARIPOSA |
| 3 | | 60210812 | 2 | DADO M8 - UNI 5588 INOX | NUT INOX | ECROU INOX | MUTTER INOX | TUERCA INOX |
| 4 | | 20305220 | 1 | REGISTRO FORATO | DRILLED ADJUSTER | REGISTRE FORE | GEOHRTE VERSTELLSCHRAUBE | REGULADOR PERFORADO |
| 5 | | 62406004 | 1 | TIRANTE FILETTATO M8x100 INOX | THREADED TIE ROD INOX | TIRANT FILETE INOX | GEWINDESPANNSTANGE INOX | TIRANTE ROSCADO INOX |
| 6 | | 60308003 | 2 | RONDELLA Ø8x17 - 125A INOX | WASHER INOX | RONDELLE INOX | UNTERLAGSCHEIBE INOX | ARANDELA INOX |
| 7 | | 60220803 | 2 | DADO M8 AUTOBL. - UNI 7474 INOX | LOCK NUT INOX | ECROU AUTOBLOQUANT INOX | STOPMUTTER INOX | TUERCA AUTOBLOQUEANTE INOX |
| 8 | | 47210260 | 1 | MOLLA COMPRESIONE | COMPRESSION SPRING | RESSORT DE COMPRESSION | DRUCKFEDER | RESORTE DE COMPRESIÓN |
| 9 | | 62110802 | 1 | FORCELLA TIPO LUNGO M8x32 - UNI 1676 | FORK LONG | FOURCHETTE LONGUE | GABELKOPF LANG | HORQUILLA LARGA |
| 10 | | 62120804 | 1 | CLIPS PER FORCELLA M8 | FORK CLIP | CLIP POUR FOURCHETTE | KLIPP FÜR GABELKOPF | CLIP PARA HORQUILLA |
| 11 | | 21405040 | 1 | BRACCIO TERGIPAVIMENTO | SQUEEGEE ARM | BRAS DE SUCEUR | SAUGFUSSARM | BRAZO BOQUILLA DE SECADO |
| 12 | | 60111208 | 1 | VITE M12x55 TE - UNI 5737 | SCREW | VIS | SCHRAUBE | TORNILLO |
| 13 | | 60221202 | 1 | DADO M12 AUTOBL. - UNI 7474 INOX | LOCK NUT INOX | ECROU AUTOBLOQUANT INOX | STOPMUTTER INOX | TUERCA AUTOBLOQUEANTE INOX |
| 14 | | 60110808 | 4 | VITE M8x25 TE - UNI 5739 INOX | SCREW INOX | VIS INOX | SCHRAUBE INOX | TORNILLO INOX |
| 15 | | 60508006 | 4 | RONDELLA Ø8 GROWER-DIN 127B INOX | LOCK WASHER INOX | RONDELLE FREIN INOX | ZAHNSCHEIBE INOX | ARANDELA DENTADA INOX |
| 16 | | 60308003 | 3 | RONDELLA Ø8x17 - DIN 125A INOX | WASHER INOX | RONDELLE INOX | UNTERLAGSCHEIBE INOX | ARANDELA INOX |
| 17 | | 21401070 | 1 | STAFFA SNODO BRACCIO | SUPPORT ARM JOINT | SUPPORT DE JOINT BRAS | HALTERUNG ARMGELENK | SOPORTE ARTICULACIÓN BRAZO |
| 18 | | 47103090 | 2 | BOCCOLA | BUSHING | BAGUE | BUCHSE | CASQUILLO |
| 19 | | 21405050 | 1 | SNODO BRACCIO TERGIPAVIMENTO | ARM JOINT | JOINT DE BRAS | ARMGELENK | ARTICULACIÓN BRAZO |
| 20 | | 61706003 | 1 | GALLETTO GB 48 M6 | WING NUT | ECROU PAPILLON | FLÜGELMUTTER | MARIPOSA |
| 21 | | 60210609 | 2 | DADO M6 - UNI 5588 INOX | NUT INOX | ECROU INOX | MUTTER INOX | TUERCA INOX |
| 22 | | 60306008 | 1 | RONDELLA Ø6x18 - UNI 6593 INOX | WASHER INOX | RONDELLE INOX | UNTERLAGSCHEIBE INOX | ARANDELA INOX |
| 23 | | 20205040 | 1 | TIRANTE M6x85 INOX | TIE ROD INOX | TIRANT INOX | ZUGSTANGE INOX | TIRANTE INOX |
| 24 | | 20305110 | 1 | PERNO REGISTRO PRESSIONE | PIN PRESSURE REGISTER | AXE REGLAGE DE PRESSION | BOLZEN DRUCKREGULIERUNG | PERNO REGULADOR PRESIÓN |
| 25 | | 60800003 | 2 | SPILLO Ø2,4x48 | CLIP | EPINGLE | SPLINT | ESPIGA |
| 26 | | 47220180 | 1 | MOLLA TRAZIONE | TRACTION SPRING | RESSORT DE TRACTION | ZUGFEDER | RESORTE DE TRACCIÓN |
| 27 | | 60220602 | 1 | DADO M6 AUTOBL. - UNI 7474 INOX | LOCK NUT INOX | ECROU AUTOBLOQUANT INOX | STOPMUTTER INOX | TUERCA AUTOBLOQUEANTE INOX |
| 28 | | 60110806 | 2 | VITE M8x20 TE - UNI 5739 INOX | SCREW INOX | VIS INOX | SCHRAUBE INOX | TORNILLO INOX |
| 29 | | 60508005 | 2 | RONDELLA SCHNORR Ø8 TIPO S | WASHER | RONDELLE | UNTERLAGSCHEIBE | ARANDELA |
| 31 | | 47103080 | 2 | BOCCOLA | BUSHING | BAGUE | BUCHSE | CASQUILLO |
| 32 | | 60181002 | 2 | VITE M10x80 TPSEI - UNI 5933 INOX | SCREW INOX | VIS INOX | SCHRAUBE INOX | TORNILLO INOX |
| 33 | | 46531060 | 2 | RUOTA PIVOTANTE Ø60x30 | CASTOR WHEEL | ROUE PIVOTANTE | LENKROLLE | RUEDA PIVOTANTE |
| 34 | | 60211203 | 2 | DADO M12 - UNI 5589 INOX | NUT INOX | ECROU INOX | MUTTER INOX | TUERCA INOX |
| 35 | | 60512006 | 2 | RONDELLA CON. Ø12x30 DENT. INTERNA | CONICAL WASHER | RONDELLE CONIQUE | KONISCHE UNTERLAGSCHEIB | ARANDELA CÓNICA |
| 36 | | 61712005 | 4 | VOLANTINO V40 PS M12 | HANDWHEEL | VOLANT | HANDRAD | RUEDA DE MANIOBRA |

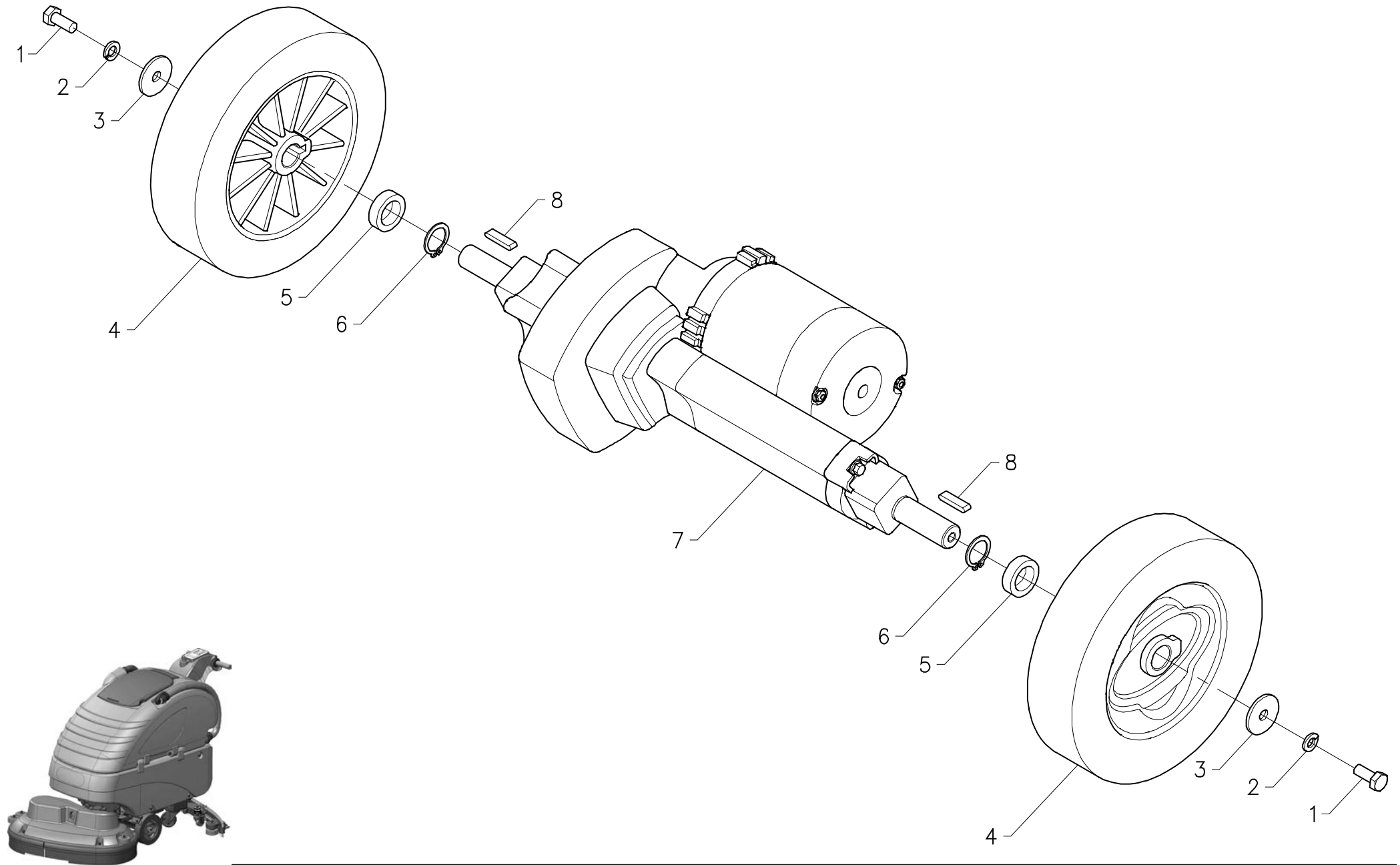


GRUPPO COMANDI LEVE

LEVERS CONTROLS ASSEMBLY • GROUPE COMMANDES DES LEVIERS • GRUPPE HEBELBETÄTIGUNGEN • GRUPO MANDOS DE LAS PALANCAS

1405-20 R01

| Pos. | S/N | Codice | Q.tà | Denominazione | Description | Description | Benennung | Descripción |
|------|-----|----------|------|-----------------------------------|------------------------|---------------------------|---------------------------|--------------------------------|
| 1 | | 62030016 | 1 | TAPPO PER MANOPOLA | CAP FOR KNOB | BOUCHON POUR POIGNEE | DECKEL FÜR HANDGRIFF | TAPA PARA EMPUÑADURA |
| 2 | | 60130809 | 1 | VITE M8x35 TCEI - UNI 5931 | SCREW | VIS | SCHRAUBE | TORNILLO |
| 3 | | 61810016 | 1 | MANOPOLA CILINDRICA PMC Ø21x50 | CYLINDRICAL KNOB | POIGNEE CYLINDRIQUE | ZYLINDR.HANDGRIFF PMC | EMPUÑADURA CILÍNDRICA |
| 4 | | 60220801 | 1 | DADO M8 AUTOBL. - UNI 7474 | LOCK NUT | ECROU AUTOBLOQUANT | STOPMUTTER | TUERCA AUTOBLOQUEANTE |
| 5 | | 62040001 | 1 | COPRIDADO NERO | NUT COVER BLACK | COUVRE-ECROU NOIR | MUTTERKAPPE SCHWARZ | CUBRETIERCA NEGRO |
| 6 | | 61450601 | 2 | SNODO ANGOLARE | ANGULAR JOINT | ARTICULATION ANGULAIRE | WINKELGELENK | ARTICULACIÓN ANGULAR |
| 7 | | 60210609 | 2 | DADO M6 - UNI 5588 INOX | NUT INOX | ECROU INOX | MUTTER INOX | TUERCA INOX |
| 8 | | 21405060 | 1 | FUNE TERGIPAVIMENTO | SQUEEGEE CABLE | CABLE DU SUCEUR | SAUGFUSSKABEL | CUERDA BOQUILLA DE SECADO |
| 9 | | 60220602 | 2 | DADO M6 AUTOBL. - UNI 7474 INOX | LOCK NUT INOX | ECROU AUTOBLOQUANT INOX | STOPMUTTER INOX | TUERCA AUTOBLOQUEANTE INOX |
| 10 | | 60220801 | 1 | DADO M8 AUTOBL. - UNI 7474 | LOCK NUT | ECROU AUTOBLOQUANT | STOPMUTTER | TUERCA AUTOBLOQUEANTE |
| 11 | | 60308009 | 1 | RONDELLA Ø8x32 - UNI 6593 | WASHER | RONDELLE | UNTERLAGSCHEIBE | ARANDELA |
| 12 | | 21405020 | 1 | LEVA COMANDO TERGIPAVIMENTO | LEVER SQUEEGEE CONTROL | LEVIER COMMANDE SUCEUR | HEBEL SAUGFUSSBETÄTIGUNG | PALANCA MANDO BOQUILLA SEC. |
| 13 | | 47114010 | 1 | BOCCOLA | BUSHING | BAGUE | BUCHSE | CASQUILLO |
| 15 | | 60100806 | 1 | VITE M8x35 TTQST - UNI 5732 | SCREW | VIS | SCHRAUBE | TORNILLO |
| 16 | | 60100810 | 2 | VITE M8x45 TTQST - UNI 5732 | SCREW | VIS | SCHRAUBE | TORNILLO |
| 17 | | 21405010 | 1 | STAFFA LEVA COMANDO TERGIPAV. | SUPPORT SQUEEGEE LEVER | ATTAQUE LEVIER DE SUCEUR | HALTERUNG HEBEL SAUGFUSS | SOPORTE PALANCA BOQ. DE SECADO |
| 18 | | 62405010 | 1 | PIEDINO ADESIVO | ADHESIVE PLASTIC CAP | BOUCHON ADHESIF PLASTIQUE | PLASTIKKLEBESTOPFEN | TAPÓN DE PLÁSTICO ADHESIVO |
| 19 | | 60110607 | 2 | VITE M6x14 TE - UNI 5739 | SCREW | VIS | SCHRAUBE | TORNILLO |
| 20 | | 60506004 | 2 | RONDELLA Ø6 GROWER RINF.-ASA B27 | LOCK WASHER | RONDELLE FREIN | ZAHNSCHEIBE | ARANDELA DENTADA |
| 21 | | 60306003 | 2 | RONDELLA Ø6x12 - UNI 6592 | WASHER | RONDELLE | UNTERLAGSCHEIBE | ARANDELA |
| 22 | | 21401100 | 1 | TRAVERSO FISSAGGIO FUNE | BAR CABLE FIXING | TRAVERS FIXATION CABLE | TRÄGER KABELBEFESTIGUNG | TRAVERSAÑO FIJACIÓN CUERDA |
| 23 | | 60309002 | 2 | RONDELLA Ø8x24 - UNI 6593 | WASHER | RONDELLE | UNTERLAGSCHEIBE | ARANDELA |
| 24 | | 60220801 | 2 | DADO M8 AUTOBL. - UNI 7474 | LOCK NUT | ECROU AUTOBLOQUANT | STOPMUTTER | TUERCA AUTOBLOQUEANTE |
| 25 | | 60306007 | 4 | RONDELLA Ø6x18 - UNI 6593 | WASHER | RONDELLE | UNTERLAGSCHEIBE | ARANDELA |
| 26 | | 60506004 | 4 | RONDELLA Ø6 GROWER RINF.-ASA B27 | LOCK WASHER | RONDELLE FREIN | ZAHNSCHEIBE | ARANDELA DENTADA |
| 27 | | 60110608 | 4 | VITE M6x16 TE - UNI 5739 | SCREW | VIS | SCHRAUBE | TORNILLO |
| 28 | | 61810006 | 1 | MANOPOLA COMANDO FRENO | KNOB BRAKE CONTROL | POIGNEE COMMANDE DE FREIN | HANDGRIFF BREMSBETÄTIGUNG | EMPUÑADURA MANDO FRENO |
| 29 | | 47210090 | 1 | MOLLA COMPRESIONE | COMPRESSION SPRING | RESSORT DE COMPRESSION | DRUCKFEDER | RESORTE DE COMPRESIÓN |
| 30 | | 20208060 | 1 | LEVA DI BLOCCO | BLOCKING LEVER | LEVIER DE BLOCAGE | BLOCKIERUNGSHABEL | PALANCA DE BLOQUEO |
| 31 | | 60604002 | 1 | SPINA CILINDRICA Ø4x12 - UNI 1707 | PARALLEL PIN | GOUPILLE CYLINDRIQUE | ZYLINDERSTIFT | PASADOR CILÍNDRICO |
| 32 | | 60110807 | 1 | VITE M8x20 TE - UNI 5739 | SCREW | VIS | SCHRAUBE | TORNILLO |
| 33 | | 60308004 | 1 | RONDELLA Ø8x17 - UNI 6592 | WASHER | RONDELLE | UNTERLAGSCHEIBE | ARANDELA |
| 34 | | 60220801 | 1 | DADO M8 AUTOBL. - UNI 7474 | LOCK NUT | ECROU AUTOBLOQUANT | STOPMUTTER | TUERCA AUTOBLOQUEANTE |
| 35 | | 60110617 | 1 | VITE M6x25 TE - UNI 5739 | SCREW | VIS | SCHRAUBE | TORNILLO |
| 36 | | 20208050 | 1 | LEVA FRENO | BRAKE LEVER | LEVIER DE FREIN | BREMSHEBEL | PALANCA DE FRENO |
| 37 | | 60220601 | 2 | DADO M6 AUTOBL. - UNI 7474 | LOCK NUT | ECROU AUTOBLOQUANT | STOPMUTTER | TUERCA AUTOBLOQUEANTE |
| 38 | | 47220040 | 1 | MOLLA TRAZIONE | TRACTION SPRING | RESSORT DE TRACTION | ZUGFEDER | RESORTE DE TRACCIÓN |
| 39 | | 60140305 | 2 | VITE M3x25 TCTC - UNI 7687 | SCREW | VIS | SCHRAUBE | TORNILLO |
| 40 | | 63409004 | 1 | MICROINTERRUPTORE 10A 3x22 | MICROSWITCH | MICROINTERRUPTEUR | MIKROSCHALTER | MICROINTERRUPTOR |
| 41 | | 47001060 | 2 | DISTANZIALE | SPACER | ENTRETOISE | DISTANZHÜLSE | DISTANCIADOR |
| 42 | | 21408020 | 1 | SUPPORTO LEVA FRENO | BRAKE LEVER SUPPORT | SUPPORT LEVIER DE FREIN | HALTERUNG BREMSHEBEL | SOPORTE PALANCA FRENO |
| 43 | | 60220301 | 2 | DADO M3 AUTOBL. - UNI 7473 | LOCK NUT | ECROU AUTOBLOQUANT | STOPMUTTER | TUERCA AUTOBLOQUEANTE |

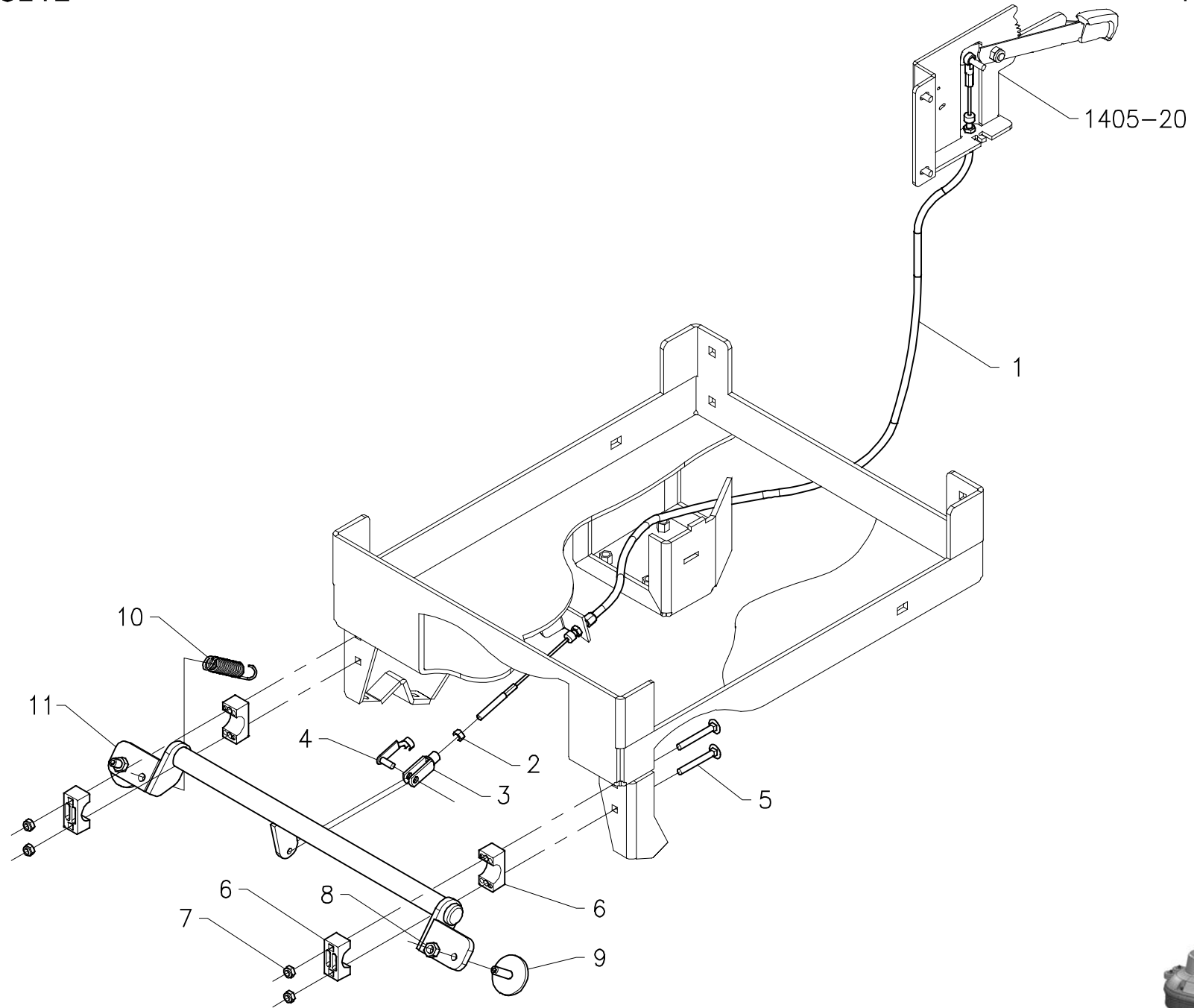


GRUPPO MOTORE TRAZIONE

ASSEMBLY TRACTION MOTOR • GROUPE MOTEUR DE TRACTION • GRUPPE ANTRIEBSMOTOR • GRUPO MOTOR DE TRACCIÓN

1407-10 R01

| Pos. | S/N | Codice | Q.tà | Denominazione | Description | Description | Benennung | Descripción |
|------|-----|----------|------|------------------------------------|------------------|---------------------|----------------------|-----------------------|
| 1 | | 60110806 | 2 | VITE M8x20 TE - UNI 5739 INOX | SCREW INOX | VIS INOX | SCHRAUBE INOX | TORNILLO INOX |
| 2 | | 60508006 | 2 | RONDELLA Ø8 GROWER - DIN 127B INOX | LOCK WASHER INOX | RONDELLE FREIN INOX | ZAHNSCHEIBE INOX | ARANDELA DENTADA INOX |
| 3 | | 60308010 | 2 | RONDELLA Ø8x32 - UNI 6593 INOX | WASHER INOX | RONDELLE INOX | UNTERLAGSCHEIBE INOX | ARANDELA INOX |
| 4 | | 46523100 | 2 | RUOTA Ø200x50 | WHEEL | ROUE | RAD | RUEDA |
| 5 | | 47014010 | 2 | DISTANZIALE | SPACER | ENTRETOISE | DISTANZHÜLSE | DISTANCIADOR |
| 6 | | 61122001 | 2 | ANELLO SEEGER | SEEGER RING | SERRE CLIPS | SEEGERRING | ANILLO SEEGER |
| 7 | | 46200490 | 1 | MOTORIDUTTORE 24V-300W | GEARED MOTOR | MOTO-REDUCTEUR | GETRIEBEMOTOR | MOTORREDUCTOR |
| 8 | | 60906105 | 2 | LINGUETTA MM. 6x10x40 FORMA A C45 | KEY | CLAVETTE | KEIL | CLAVIJA |

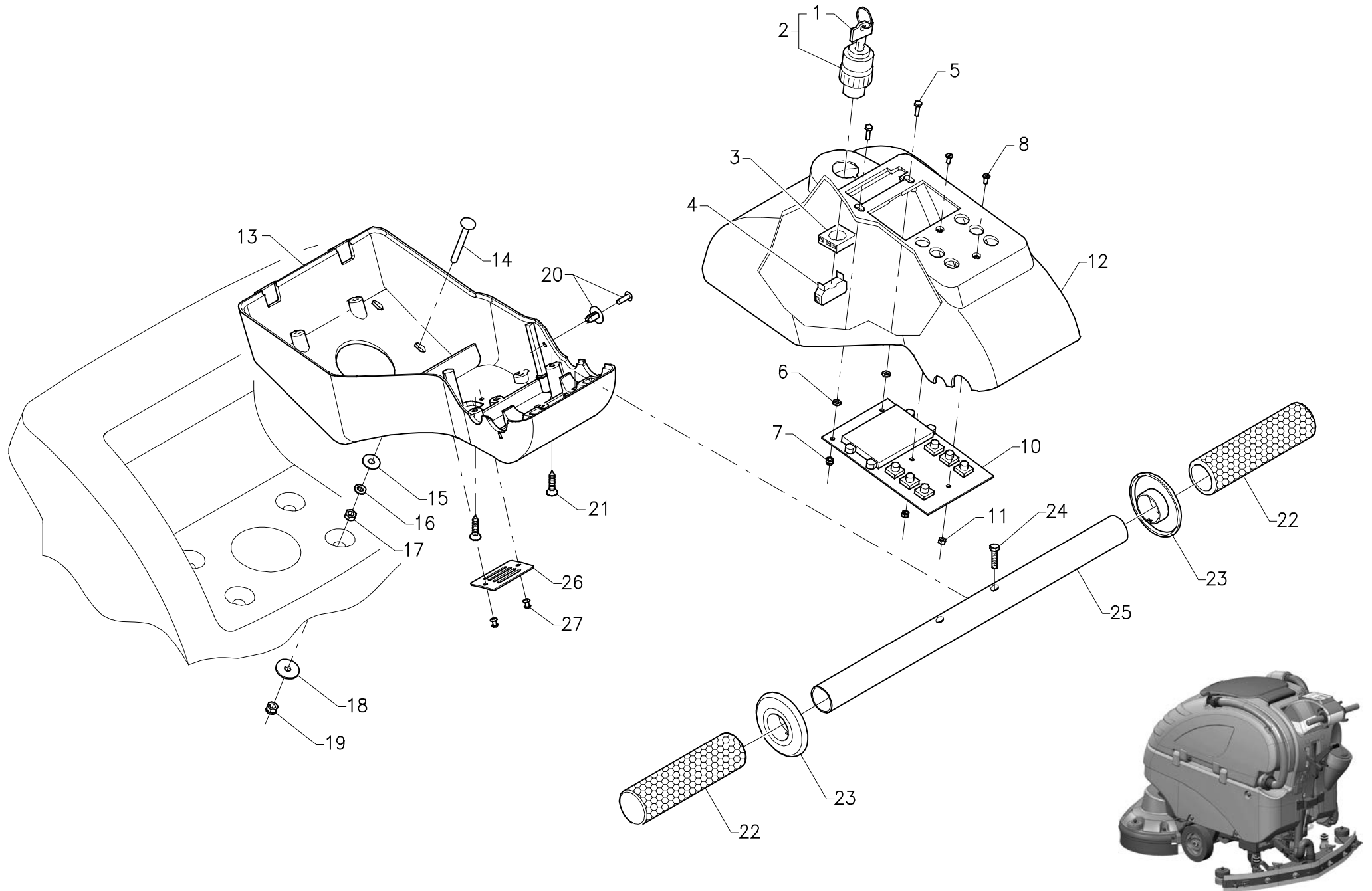


GRUPPO FRENO

BRAKE ASSEMBLY • GROUPE DE FREIN • GRUPPE BREMSE • GRUPO FRENO

1408-10 R01

| Pos. | S/N | Codice | Q.tà | Denominazione | Description | Description | Benennung | Descripción |
|------|-----|----------|------|---------------------------------|-----------------|-------------------------|---------------------|----------------------------|
| 1 | | 62401010 | 1 | FUNE FRENO | BRAKE CABLE | CABLE DE FREIN | BREMSKABEL | CUERDA FRENO |
| 2 | | 60210609 | 1 | DADO M6 - UNI 5588 INOX | NUT INOX | ECROU INOX | MUTTER INOX | TUERCA INOX |
| 3 | | 62110601 | 1 | FORCELLA LUNGA M6x24 - UNI 1676 | FORK LONG | FOURCHETTE LONGUE | GABELKOPF LANG | HORQUILLA LARGA |
| 4 | | 62120601 | 1 | CLIPS PER FORCELLA M6 LUNGA | FORK CLIP | CLIP POUR FOURCHETTE | KLIPP FÜR GABELKOPF | CLIP PARA HORQUILLA |
| 5 | | 60100606 | 4 | VITE M6x50 TTQST - UNI 5732 | SCREW | VIS | SCHRAUBE | TORNILLO |
| 6 | | 20203520 | 4 | MORSETTO Ø22 | HOLDFAST | ETAU | KLEMME | MORDAZA |
| 7 | | 60220602 | 4 | DADO M6 AUTOBL. - UNI 7474 INOX | LOCK NUT INOX | ECROU AUTOBLOQUANT INOX | STOPMUTTER INOX | TUERCA AUTOBLOQUEANTE INOX |
| 8 | | 60211002 | 2 | DADO M10 - UNI 5588 INOX | NUT INOX | ECROU INOX | MUTTER INOX | TUERCA INOX |
| 9 | | 21408040 | 2 | TAMPONE FRENO | BRAKE PAD | PATIN DU FREIN | BREMSSCHEIBE | ZAPATA DE FRENO |
| 10 | | 47220130 | 1 | MOLLA TRAZIONE | TRACTION SPRING | RESSORT DE TRACTION | ZUGFEDER | RESORTE DE TRACCIÓN |
| 11 | | 21408030 | 1 | ALBERO FRENO | BRAKE SHAFT | ARBRE DE FREIN | BREMSWELLE | EJE DE FRENO |

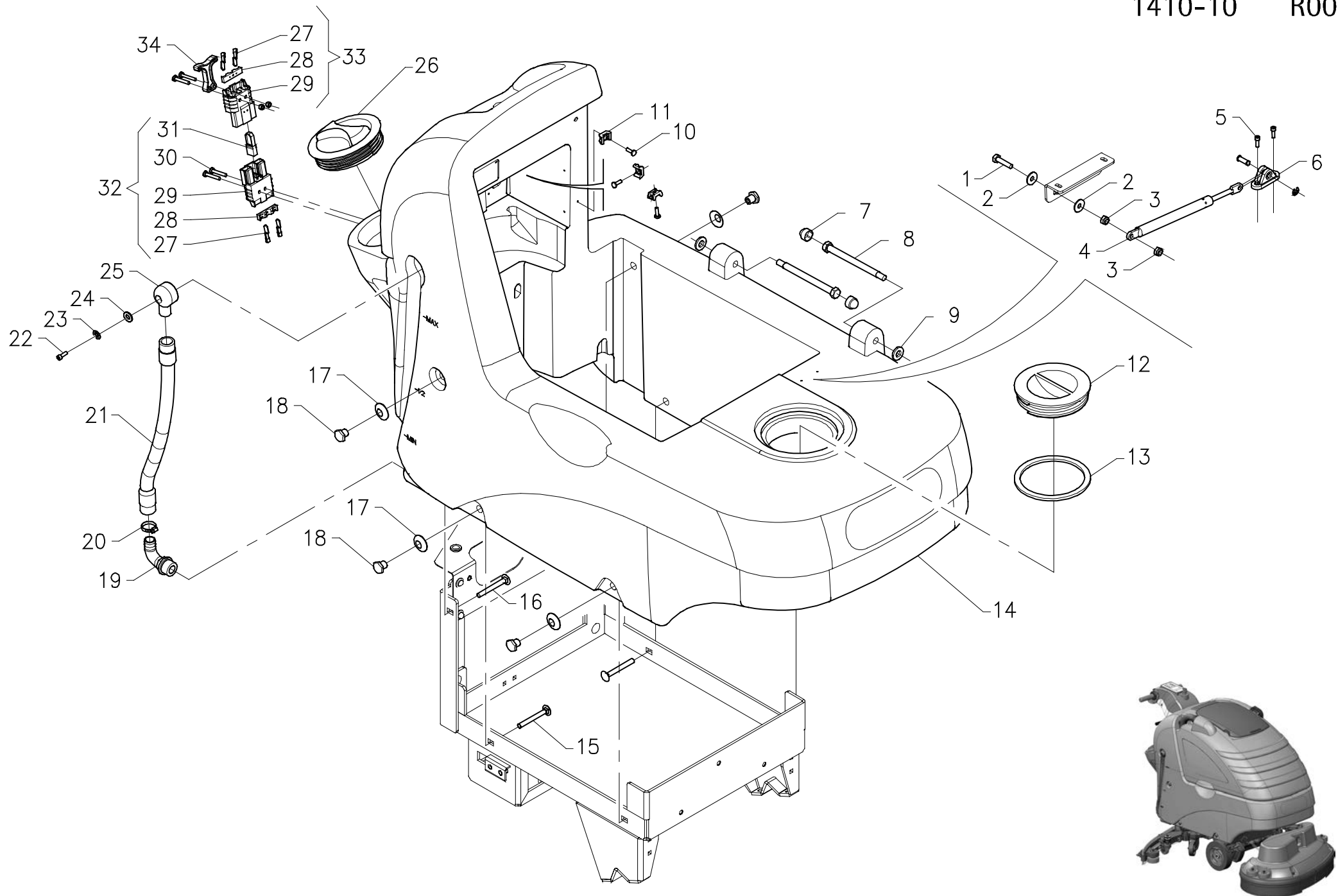


GRUPPO MANUBRIO

HANDLE BAR ASSEMBLY • GROUPE DE GUIDON • GRUPPE FÜHRUNGSHOLM • GRUPO DE MANILLAR

1409-10 R01

| Pos. | S/N | Codice | Q.tà | Denominazione | Description | Description | Benennung | Descripción |
|------|-----|----------|------|----------------------------------|-----------------------|-----------------------------|-----------------------------|------------------------|
| 1 | | 63499003 | 1 | CHIAVE INTERRUETTORE | KEY | CLEF | SCHLÜSSEL | LLAVE |
| 2 | | 63410001 | 1 | INTERRUTTORE CON CHIAVI | SWITCH WITH KEYS | INTERRUPTEUR AVEC CLEFS | SCHALTER MIT SCHLÜSSEL | INTERRUPTOR CON LLAVES |
| 3 | | 63499002 | 1 | FLANGIA INTERRUETTORE | FLANGE FOR SWITCH | FLASQUE INTERRUPTEUR | SCHALTERFLANSCH | BRIDA INTERRUPTOR |
| 4 | | 63413001 | 1 | CONTATTO INTERRUETTORE | CONTACT FOR SWITCH | CONTACT INTERRUPTEUR | SCHALTERKONTAKT | CONTACTO INTERRUPTOR |
| 5 | | 60110302 | 2 | VITE M3x12 TE - UNI 5739 INOX | SCREW INOX | VIS INOX | SCHRAUBE INOX | TORNILLO INOX |
| 6 | | 60303004 | 2 | RONDELLA Ø3,3x7 POLIETILENE | POLYETHYLENE WASHER | RONDELLE POLYETHYLENE | UNTERLAGSCHEIBE POLYÄTHYLEN | ARANDELA POLIETILENO |
| 7 | | 60210304 | 2 | DADO M3 - UNI 5587 NYLON | NUT NYLON | ECROU NYLON | MUTTER NYLON | TUERCA NYLON |
| 8 | | 60170307 | 2 | VITE M3x16 TPS - UNI 7688 | SCREW | VIS | SCHRAUBE | TORNILLO |
| 10 | | 49704110 | 1 | SCHEDA COMANDI + DISPLAY | CHECK CARD | PLAQUE CONTR.COMMANDES | KONTROLLKARTE SCHALTUNGEN | FICHA CONTROL MANDOS |
| 11 | | 60210304 | 2 | DADO M3 - UNI 5587 NYLON | NUT NYLON | ECROU NYLON | MUTTER NYLON | TUERCA NYLON |
| 12 | | 49214010 | 1 | COPERCHIO MANUBRIO | HANDLEBAR COVER | COUVERCLE DE GUIDON | DECKEL HOLM | TAPA MANILLAR |
| 13 | | 49201070 | 1 | CORPO MANUBRIO | HANDLEBAR BODY | CORPS DE GUIDON | FÜHRUNGSHOLMKÖRPER | CUERPO DE MANILLAR |
| 14 | | 60100616 | 4 | VITE M6x55 TTQST | SCREW | VIS | SCHRAUBE | TORNILLO |
| 15 | | 60306007 | 4 | RONDELLA Ø6x18 - UNI 6593 | WASHER | RONDELLE | UNTERLAGSCHEIBE | ARANDELA |
| 16 | | 60506004 | 4 | RONDELLA Ø6 GROWER RINF.-ASA B27 | LOCK WASHER | RONDELLE FREIN | ZAHNSCHEIBE | ARANDELA DENTADA |
| 17 | | 60210608 | 4 | DADO M6 - UNI 5588 | NUT | ECROU | MUTTER | TUERCA |
| 18 | | 60306010 | 4 | RONDELLA Ø6x24 - UNI 6593 | WASHER | RONDELLE | UNTERLAGSCHEIBE | ARANDELA |
| 19 | | 60220601 | 4 | DADO M6 AUTOBL. - UNI 7474 | LOCK NUT | ECROU AUTOBLOQUANT | STOPMUTTER | TUERCA AUTOBLOQUEANTE |
| 20 | | 60600010 | 1 | RIVETTO Ø6 AUTOBL. CON VITE | LOCK RIVET WITH SCREW | RIVET AUTOBLOQUANT AVEC VIS | NIETE MIT SCHRAUBE | REDOBLÓN CON TORNILLO |
| 21 | | 60190408 | 2 | VITE Ø4x45 AUTOF. TPS | SCREW | VIS | SCHRAUBE | TORNILLO |
| 22 | | 61810001 | 2 | MANOPOLA Ø30x110 | KNOB | POIGNEE | HANDGRIFF | EMPUÑADURA |
| 23 | | 20109020 | 2 | PROTEZIONE MANOPOLA | KNOB PROTECTION | PROTECTION DE POIGNEE | ABDECKUNG HANDGRIFF | PROTECCIÓN EMPUÑADURA |
| 24 | | 60190601 | 2 | VITE D6x35 PT-DG TE | SCREW | VIS | SCHRAUBE | TORNILLO |
| 25 | | 20109010 | 1 | TUBO MANUBRIO | HANDLEBAR TUBE | TUBE DE GUIDON | ROHR FÜHRUNGSHOLM | TUBO DE MANILLAR |
| 26 | | 21409010 | 1 | GRIGLIA VENTOLA | FAN GRID | GRILLE DE VENTILATEUR | FLÜGELRADGITTER | PARRILLA VENTILADOR |
| 27 | | 60600002 | 2 | RIVETTO Ø3x10 ALLUMINIO | RIVET ALUMINIUM | RIVET ALUMINIUM | ALUMINIUMNIET | REDOBLÓN ALUMINIO |

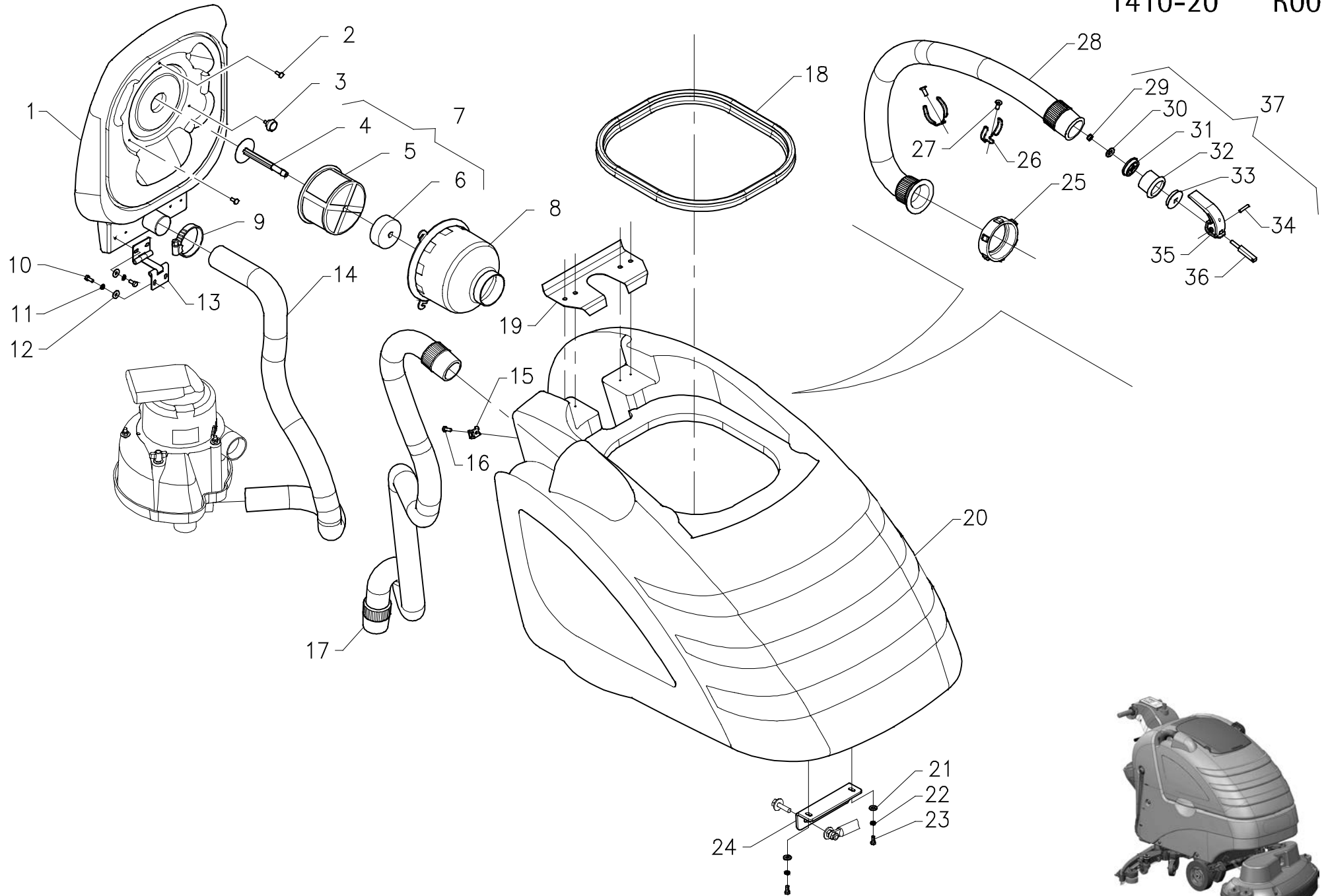


GRUPPO SERBATOIO SOLUZIONE

SOLUTION TANK ASSY • GROUPE RESERVOIR SOLUTION • GRUPPE FRISCHWSSERTANK • GRUPO DEPÓSITO DE LA SOLUCIÓN

1410-10 R00

| Pos. | S/N | Codice | Q.tà | Denominazione | Description | Description | Benennung | Descripción |
|------|-----|----------|------|-------------------------------------|------------------------------|------------------------------|---------------------------|----------------------------|
| 1 | | 60110813 | 1 | VITE M8x35 TE - UNI 5739 INOX | SCREW INOX | VIS INOX | SCHRAUBE INOX | TORNILLO INOX |
| 2 | | 60308007 | 2 | RONDELLA Ø8x24 - UNI 6593 INOX | WASHER INOX | RONDELLE INOX | UNTERLAGSCHEIBE INOX | ARANDELA INOX |
| 3 | | 60220803 | 2 | DADO M8 AUTOBL. - UNI 7474 INOX | LOCK NUT INOX | ECROU AUTOBLOQUANT INOX | STOPMUTTER INOX | TUERCA AUTOBLOQUEANTE INOX |
| 4 | | 49120070 | 1 | MOLLA A GAS | GAS SHOCK ABSORBER | AMORTISSEUR PNEUMATIQUE | GASFEDER | AMORTIGUADOR A GAS |
| 5 | | 60130502 | 2 | VITE M5x16 TCEI - UNI 5931 | SCREW | VIS | SCHRAUBE | TORNILLO |
| 6 | | 61001001 | 1 | SUPPORTO MOLLA A GAS | SUPPORT GAS SHOCK ABSORBER | SUPPORT AMORTISSEUR PNEUM. | HALTERUNG GASFEDER | SOPORTE AMORTIGUADOR A GAS |
| 7 | | 62040002 | 2 | COPRIDADO NERO | NUT COVER BLACK | COUVRE-ECROU NOIR | MUTTERKAPPE SCHWARZ | CUBRE TUERCA NEGRO |
| 8 | | 21410080 | 2 | PERNO SERBATOIO | TANK PIN | AXE DE RESERVOIR | TANKBOLZEN | PERNO DEPÓSITO |
| 9 | | 21410090 | 2 | RONDELLA Ø12,2x25 PVC NERA | WASHER PVC BLACK | RONDELLE PVC NOIR | PVC-SCHEIBE SCHWARZ | ARANDELA PVC NEGRO |
| 10 | | 60190502 | 3 | VITE Ø5x16 TC AUTOFIL. TRUC. | SCREW | VIS | SCHRAUBE | TORNILLO |
| 11 | | 63714001 | 3 | SUPPORTO A SELLA | SADDLE SUPPORT | SUPPORT A SELLE | SATTELHALTERUNG | SOPORTE |
| 12 | | 62350008 | 1 | TAPPO ISPEZIONE | INSPECTION CAP SOLUTION TANK | BOUCHON D'INSPECTION RESERV. | ÜBERPRÜFUNGSDECKEL TANK | TAPA INSPECCIÓN DEPÓSITO |
| 13 | | 47800150 | 1 | GUARNIZIONE | GASKET | JOINT | DICHTUNG | JUNTA |
| 14 | | 47314010 | 1 | SERBATOIO SOLUZIONE | SOLUTION TANK | RESERVOIR DE LA SOLUTION | FRISCHWSSERTANK | DEPÓSITO SOLUCIÓN |
| 15 | | 60100815 | 4 | VITE M8x70 TTQST - UNI 5732 | SCREW | VIS | SCHRAUBE | TORNILLO |
| 16 | | 60100811 | 2 | VITE M8x60 TTQST - UNI 5732 | SCREW | VIS | SCHRAUBE | TORNILLO |
| 17 | | 60514001 | 6 | RONDELLA CON. Ø14x32x1,4 DENT. INT. | CONICAL WASHER | RONDELLE CONIQUE | KONISCHE UNTERLAGSCHEIBE | ARANDELA CÓNICA |
| 18 | | 47103130 | 6 | BOCCOLA | BUSHING | BAGUE | BUCHSE | CASQUILLO |
| 19 | | 62340271 | 1 | PORTAGOMMA CURVO | BENT FITTING | RACCORD COURBE | SCHLAUCHANSCHLUSS GEBOGEN | EMPALME CURVO |
| 20 | | 61930010 | 1 | FASCETTA STRINGITUBO 24-36x8 | CLAMP HOSE WRENCH | COLLIER SERRE-TUYAU | BRIDE SCHLAUCHKLEMME | ABRAZADERA BLOQUEO TUBO |
| 21 | | 47610460 | 1 | TUBO LIVELLO ACQUA Ø20x430 | HOSE WATER LEVEL | TUYAU NIVEAU D'EAU | SCHLAUCH WASSERSTAND | TUBO NIVEL AGUA |
| 22 | | 60130606 | 1 | VITE M6x30 TCEI - UNI 5931 | SCREW | VIS | SCHRAUBE | TORNILLO |
| 23 | | 60506004 | 1 | RONDELLA Ø6 GROWER RINF.-ASA B27 | LOCK WASHER | RONDELLE FREIN | ZAHNSCHEIBE | ARANDELA DENTADA |
| 24 | | 60306003 | 1 | RONDELLA Ø6x12 - UNI 6592 | WASHER | RONDELLE | UNTERLAGSCHEIBE | ARANDELA |
| 25 | | 21410100 | 1 | RACCORDO TUBO LIVELLO | FITTING LEVEL HOSE | RACCORD TUYAU NIVEAU | SCHLAUCHVERSCHR. NIVEAU | RACOR TUBO NIVEL AGUA |
| 26 | | 62350001 | 1 | TAPPO SERBATOIO SOLUZIONE | COVER SOLUTION TANK | COUVERCLE RESERVOIR SOLUT. | DECKEL FRISCHWSSERTANK | TAPA DEPÓSITO DE SOLUCIÓN |
| 27 | | 63130005 | 4 | CONTATTO CONNETTORE BIP. 80 A | CONTACT | CONTACT | KONTAKT | CONTACTO |
| 28 | | 63140002 | 2 | PRESSACAPO + VITI | FAIR-LEAD WITH SCREWS | PRESSE-CABLE AVEC VIS | KABELVERSCHRAUBUNG+SCHR. | RACOR CABLE + TORNILLOS |
| 29 | | 63110015 | 2 | CORPO CONNETTORE SBE 80A ROSSO | CONNECTOR BODY | CORPS DU CONNECTEUR | KÖRPER STECKER | CUERPO CONECTOR |
| 30 | | 60190418 | 2 | VITE Ø4,2x32 AUTOFIL. TC - UNI 6954 | SCREW | VIS | SCHRAUBE | TORNILLO |
| 31 | | 63140001 | 1 | POLARIZZATORE | POLARIZER | POLARISEUR | POLARISATOR | POLARIZADOR |
| 32 | | 63110021 | 1 | CONNETTORE 80A MASCHIO | CONNECTOR MALE | CONNECTEUR MALE | STECKER MIT ZAPFEN | CONECTOR MACHO |
| 33 | | 63110022 | 1 | CONNETTORE 80A FEMMINA | CONNECTOR FEMALE | CONNECTEUR FEMELLE | STECKER OHNE ZAPFEN | CONECTOR HEMBRA |
| 34 | | 63120004 | 1 | MANETTA CONNETT. 80A ROSSA+VITI | CONNECTOR LEVER | MANETTE CONNECTEUR | HEBEL LADESTECKER | MANETA CONECTOR |



GRUPPO SERBATOIO RECUPERO

RECOVERY TANK ASSY • GROUPE RESERVOIR RECUPERATION • GRUPPE BRAUCHWSSERTANK • GRUPO DEPÓSITO RECUPERACIÓN

1410-20 R00

| Pos. | S/N | Codice | Q.tà | Denominazione | Description | Description | Benennung | Descripción |
|------|-----|----------|------|-----------------------------------|--------------------------|-----------------------------|---------------------------|-------------------------------|
| 1 | | 21410010 | 1 | COPERCHIO SERBATOIO RECUPERO | COVER RECOVERY TANK | COUVERCLE RESERVOIR REC. | TANKDECKEL BRAUCHWSSERT. | TAPA DEPÓSITO DE RECUPERACIÓN |
| 2 | | 60140512 | 2 | VITE M5x12 TCTC - UNI 7687 INOX | SCREW INOX | VIS INOX | SCHRAUBE INOX | TORNILLO INOX |
| 3 | | 61705003 | 1 | VOLANTINO ZXP/22 M5x10 | HANDWHEEL | VOLANT | HANDGRIFF | RUEDA DE MANIOBRA |
| 4 | | 20110060 | 1 | ASTA CON PIATTELLO | ROD WITH PLATE | TIGE AVEC RONDELLE | STANGE MIT SCHEIBE | VARILLA CON PLATILLO |
| 5 | | 47900010 | 1 | FILTRO GALLEGGIANTE | FILTER FLOAT | FILTRE DE FLOTTEUR | SCHWIMMERFILTER | FILTRO DE FLOTADOR |
| 6 | | 20110070 | 1 | GALLEGGIANTE Ø60 | FLOAT | FLOTTEUR | SCHWIMMER | FLOTADOR |
| 7 | | V0110007 | 1 | ASSIEME FILTRO GALLEGGIANTE | FILTER AND FLOAT ASSY | FILTRE + FLOTTEUR COMPLET | FILTER + SCHWIMMER KOMPL. | FILTRO + FLOTADOR COMPLETO |
| 8 | | 21410020 | 1 | PROTEZIONE FILTRO | FILTER PROTECTION | PROTECTION DE FILTRE | FILTERSCHUTZ | PROTECCIÓN DE FILTRO |
| 9 | | 61930005 | 1 | FASCETTA STRINGITUBO | CLAMP | COLLIER | BRIDE | ABRAZADERA |
| 10 | | 60110503 | 8 | VITE M5x12 TE - UNI 5739 INOX | SCREW INOX | VIS INOX | SCHRAUBE INOX | TORNILLO INOX |
| 11 | | 60505003 | 8 | RONDELLA Ø5 DENT.-DIN 6798/A INOX | LOCK WASHER INOX | RONDELLE FREIN INOX | ZAHNSCHEIBE INOX | ARANDELA DENTADA INOX |
| 12 | | 60305007 | 8 | RONDELLA Ø5x15 - UNI 6593 INOX | WASHER INOX | RONDELLE INOX | UNTERLAGSCHEIBE INOX | ARANDELA INOX |
| 13 | | 21410050 | 2 | CERNIERA COPERCHIO SERB. RECUPERO | HINGE TANK COVER | CHARNIERE COUVERCLE RES. | DECKELSCHARNIER TANK | BISAGRA TAPA DEPÓSITO |
| 14 | | 47610450 | 1 | TUBO ASPIRAZIONE Ø38,2 | SUCTION HOSE | TUYAU D'ASPIRATION | SAUGSCHLAUCH | TUBO DE ASPIRACIÓN |
| 15 | | 63714001 | 1 | SUPPORTO A SELLA | SADDLE SUPPORT | SUPPORT A SELLE | SATTELHALTERUNG | SOPORTE CON ASIENTO |
| 16 | | 60190502 | 1 | VITE Ø5x16 TC AUTOFIL TRUC. | SCREW | VIS | SCHRAUBE | TORNILLO |
| 17 | | 47610140 | 1 | TUBO TERGIPAVIMENTO Ø38,2 | SQUEEGEE HOSE | TUYAU DE SUCEUR | SCHLAUCH SAUGFUSS | TUBO BOQUILLA DE SECADO |
| 18 | | 21410070 | 1 | GUARNIZIONE COPERCHIO SERBATOIO | GASKET TANK COVER | JOINT COUVERCLE RESERVOIR | DECKELDICHUNG TANK | JUNTA TAPA DEPÓSITO |
| 19 | | 21410130 | 1 | DEFLETTORE SERBATOIO RECUPERO | BAFFLE RECOVERY TANK | DEFLECTEUR RESERVOIR RECUP. | ABWEISER BRAUCHWSSERT. | DESVIADOR DEPÓSITO DE RECUP. |
| 20 | | 47314020 | 1 | SERBATOIO RECUPERO | RECOVERY TANK | RESERVOIR DE RECUPERATION | BRAUCHWSSERTANK | DEPÓSITO DE RECUPERACIÓN |
| 21 | | 60306007 | 2 | RONDELLA Ø6x18 - UNI 6593 | WASHER | RONDELLE | UNTERLAGSCHEIBE | ARANDELA |
| 22 | | 60506004 | 2 | RONDELLA Ø6 GROWER RINF.-ASA B27 | LOCK WASHER | RONDELLE FREIN | ZAHNSCHEIBE | ARANDELA DENTADA |
| 23 | | 60110608 | 2 | VITE M6x16 TE - UNI 5739 | SCREW | VIS | SCHRAUBE | TORNILLO |
| 24 | | 21410030 | 1 | GUIDA MOLLA A GAS | GUIDE GAS SHOCK ABSORBER | GUIDE AMORTISSEUR PNEUM. | FÜHRUNG GASFEDER | GUIA AMORTIGUADOR A GAS |
| 25 | | 62340090 | 1 | GHIERA M73x4 TUBO SCARICO | RING NUT EXHAUST HOSE | EMBOUT TUYAU DE VIDANGE | NUTMUTTER ABWASSERSCHL. | TUERCA ANULAR TUBO DE DESC. |
| 26 | | 47230040 | 2 | MOLLA AGGANCIO MANICOTTO Ø45 | SPRING MUFF COUPLER | RESSORT D'ACCROCH. MANCHON | ARRETIERUNGSFEDER MUFFE | RESORTE ENGANCHE MANGUITO |
| 27 | | 60180603 | 2 | VITE M6x16 TPSEI - UNI 5933 INOX | SCREW INOX | VIS INOX | SCHRAUBE INOX | TORNILLO INOX |
| 28 | | 47610440 | 1 | TUBO SCARICO Ø38,2 | EXHAUST HOSE | TUYAU DE VIDANGE | ABWASSERSCHLAUCH | TUBO DE DESCARGA |
| 29 | | 60220604 | 1 | DADO M6 AUTOBL. - UNI 7473 INOX | LOCK NUT INOX | ECROU AUTOBLOQUANT INOX | STOPMUTTER INOX | TUERCA AUTOBLOQUEANTE INOX |
| 30 | | 60306008 | 1 | RONDELLA Ø6x18 - UNI 6593 INOX | WASHER INOX | RONDELLE INOX | UNTERLAGSCHEIBE INOX | ARANDELA INOX |
| 31 | | 20110140 | 1 | FONDELLO TAPPO SCARICO Ø39 | BOTTOM EXHAUST PLUG | FOND BOUCHON VIDANGE | BODEN ABLASSPFROPFEN | FONDO TAPÓN DESCARGA |
| 32 | | 20110150 | 1 | GOMMA TAPPO SCARICO Ø39 | RUBBER EXHAUST PLUG | GOMME BOUCHON VIDANGE | GUMMI ABLASSPFROPFEN | GOMA TAPÓN DESCARGA |
| 33 | | 20110130 | 1 | COPERCHIO TAPPO SCARICO Ø39 | COVER EXHAUST PLUG | COUVERCLE BOUCHON VIDANGE | DECKEL ABLASSPFROPFEN | TAPA TAPÓN DESCARGA |
| 34 | | 60604004 | 1 | SPINA CIL. Ø4x20 - UNI 1707 INOX | PARALLEL PIN INOX | GOUPILLE CYLINDRIQUE INOX | ZYLINDERSTIFT INOX | PASADOR CILÍNDRICO INOX |
| 35 | | 61820003 | 1 | MANETTA TAPPO SCARICO | LEVER EXHAUST PLUG | MANETTE BOUCHON VIDANGE | HEBEL ABLASSPFROPFEN | PALANCA TAPÓN DESCARGA |
| 36 | | 20110170 | 1 | TIRANTE TAPPO SCARICO Ø39 | TIE ROD EXHAUST PLUG | TIRANT BOUCHON DE VIDANGE | GESTÄNGE ABLASSPFROPFEN | TIRANTE TAPÓN DESCARGA |
| 37 | | V0110008 | 1 | ASSIEME TAPPO SCARICO Ø39 | EXHAUST PLUG ASSEMBLY | BOUCHON VIDANGE COMPLET | ABLASSPFROPFEN | TAPÓN DESCARGA COMPLETO |