

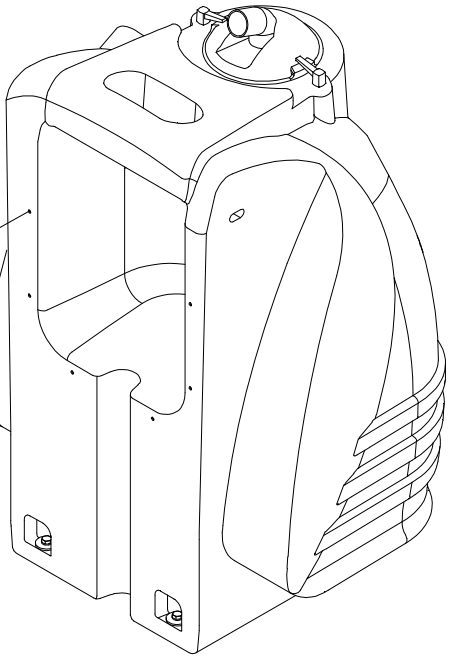
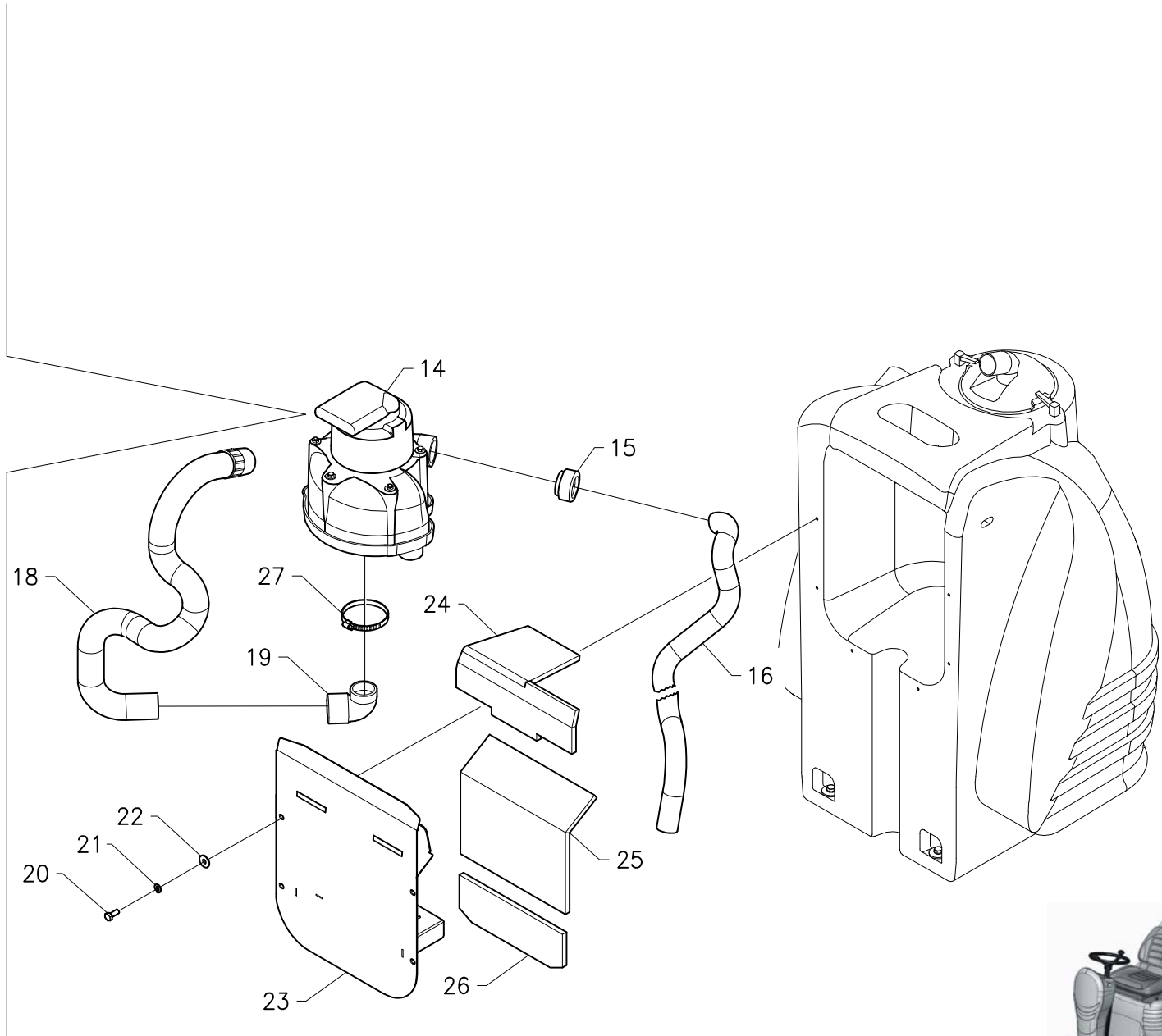
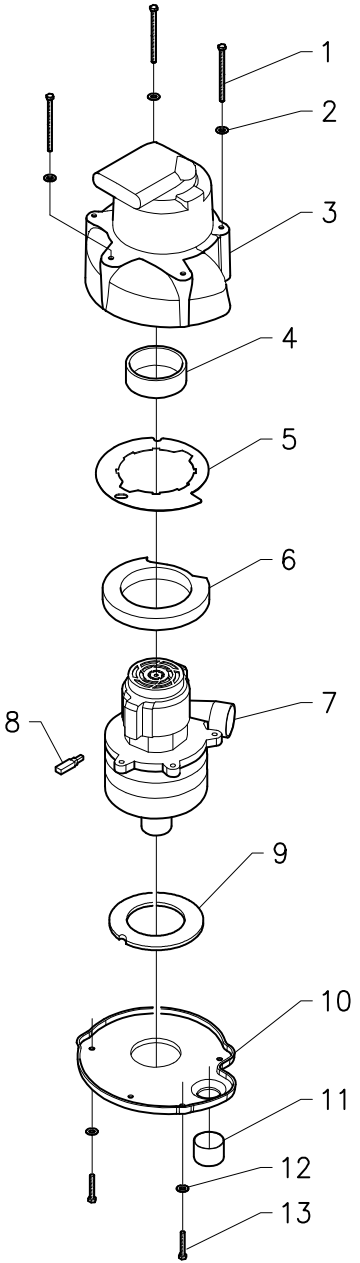


Coral 65M

Spare Parts Catalogue

Adiatek / Ecostory

July 2020

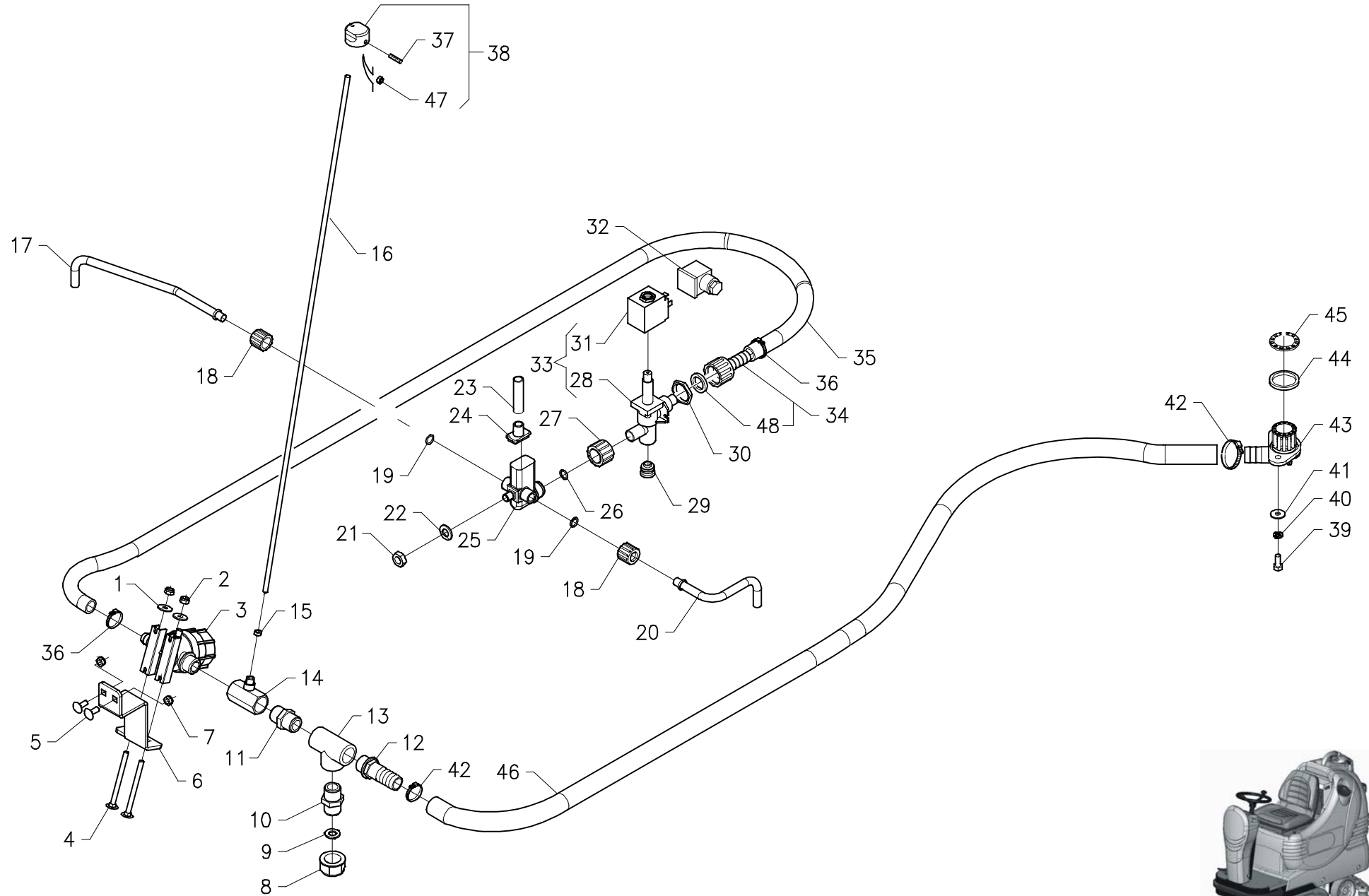


GRUPPO ASPIRAZIONE

SUCTION ASSEMBLY • GROUPE DE L'ASPIRATION • GRUPPE ABSAUGUNG • GRUPO ASPIRACIÓN

M0810-11 R01

| Pos. | S/N | Codice | Q.tà | Denominazione | Description | Description | Benennung | Descripción |
|------|-----|----------|------|-----------------------------------|-----------------------------|-----------------------------|---------------------------|------------------------------|
| 1 | | 60110635 | 3 | VITE M6x130 TE - UNI 5737 | SCREW | VIS | SCHRAUBE | TORNILLO |
| 2 | | 60306007 | 3 | RONDELLA Ø6x18 - UNI 6593 | WASHER | RONDELLE | UNTERLAGSCHEIBE | ARANDELA |
| 3 | | 20810020 | 1 | CUFFIA ASPIRATORE 3 STADI | SUCTION MOTOR CASING | PROTECTEUR MOTEUR D'ASP. | ABDECKUNG SAUGMOTOR | COBERTURA MOTOR ASPIRACIÓN |
| 4 | | 48101010 | 1 | SEPARATORE ASPIRATORE | SEPARATOR SUCTION MOTOR | SEPARATEUR MOTEUR D'ASP. | SEPARATOR SAUGMOTOR | SEPARADOR MOTOR DE ASP. |
| 5 | | 20110080 | 1 | LAMIERA INTERNA PROTEZIONE ASP. | INNER PROTECTION RING | ANNEAU INTER. PROTECTION | INNERER SCHUTZRING | CHAPA INTERIOR DE PROTECCIÓN |
| 6 | | 48106020 | 1 | ANTIVIBRANTE ASPIRATORE | VIBRATION-DAMPING | ANTIVIBRANT MOTEUR D'ASP. | DÄMMSCHICHT SAUGMOTOR | ANTIVIBRANTE MOTOR ASPIR. |
| 7 | | 49320160 | 1 | MOTORE ASP. 24V 570W H.1800 CONV. | SUCTION MOTOR | MOTEUR D'ASPIRATION | SAUGMOTOR | MOTOR DE ASPIRACIÓN |
| 8 | | 63608115 | 1 | SPAZZOLA MOTORE | CARBON BRUSH MOTOR | CHARBON DE MOTEUR | KOHLEBÜRSTE MOTOR | ESCOBILLA MOTOR |
| 9 | | 48115010 | 1 | GUARNIZIONE ASPIRATORE | SUCTION MOTOR GASKET | JOINT MOTEUR D'ASPIRATION | DICHTUNGSRING SAUGMOTOR | GUARNICIÓN MOTOR ASP. |
| 10 | | 20810090 | 1 | BASE CUFFIA ASPIRATORE + INSERTI | SUCTION MOTOR BASE + INSERT | BASE MOTEUR D'ASP. + ENCART | BASIS SAUGMOTOR + EINSATZ | BASE MOTOR DE ASP. + INSERTO |
| 11 | | 62030008 | 1 | TAPPO 40x27 PT 40 | CAP | BOUCHON | DECKEL | TAPA |
| 12 | | 60306007 | 2 | RONDELLA Ø6x18 - UNI 6593 | WASHER | RONDELLE | UNTERLAGSCHEIBE | ARANDELA |
| 13 | | 60110617 | 2 | VITE M6x25 TE - UNI 5739 | SCREW | VIS | SCHRAUBE | TORNILLO |
| 14 | | V0810003 | 1 | ASSIEME ASPIRATORE | SUCTION MOTOR ASSEMBLY | GROUPE DE MOTEUR D'ASPIRAT. | GRUPPE SAUGMOTOR | GRUPO MOTOR DE ASPIRACIÓN |
| 15 | | 20810040 | 1 | MANICOTTO TUBO SCARICO | COUPLER | MANCHON | MUFFE | MANGUITO |
| 16 | | 47610160 | 1 | TUBO SCARICO ARIA | HOSE | TUYAU | SCHLAUCH | TUBO DE GOMA |
| 18 | | 47610270 | 1 | TUBO Ø38,2x950 ASPIRATORE | SUCTION HOSE | TUYAU D'ASPIRATION | SAUGSCHLAUCH | TUBO DE ASPIRACIÓN |
| 19 | | 62320020 | 1 | RACCORDO CURVO | ELBOW | COUDE | WINKELVERSCHRAUBUNG | RACOR CODO |
| 20 | | 60110608 | 4 | VITE M6x16 TE - UNI 5739 | SCREW | VIS | SCHRAUBE | TORNILLO |
| 21 | | 60506004 | 4 | RONDELLA Ø6 GROWER - ASA B27 | LOCK WASHER | RONDELLE FREIN | ZAHNSCHEIBE | ARANDELA DENTADA |
| 22 | | 60306007 | 4 | RONDELLA Ø6x18 - UNI 6593 | WASHER | RONDELLE | UNTERLAGSCHEIBE | ARANDELA |
| 23 | | 20810010 | 1 | SUPPORTO ASPIRATORE | SUPPORT SUCTION MOTOR | SUPPORT MOTEUR D'ASPIRATION | HALTERUNG SAUGMOTOR | SOPORTE MOTOR DE ASPIRACIÓN |
| 24 | | 48108030 | 1 | FONOASSORBENTE | DEADENING | ISOLANT PHONIQUE | SCHALLDICHTUNG | FONOABSORBENTE |
| 25 | | 48108010 | 1 | FONOASSORBENTE ASPIRATORE | DEADENING SUCTION | ISOLANT PHONIQUE. ASP. | SCHALLDICHTUNG | FONOABSORBENTE MOTOR |
| 26 | | 48108020 | 1 | FONOASSORBENTE ASPIRATORE | DEADENING SUCTION | ISOLANT PHONIQUE. ASP. | SCHALLDICHTUNG | FONOABSORBENTE MOTOR |
| 27 | | 61930005 | 1 | FASCETTA STRINGITUBO MM.38-50 | CLAMP HOSE WRENCH | COLLIER SERRE-TUYAU | BRIDE SCHLAUCHKLEMME | ABRAZADERA BLOQUEO TUBO |

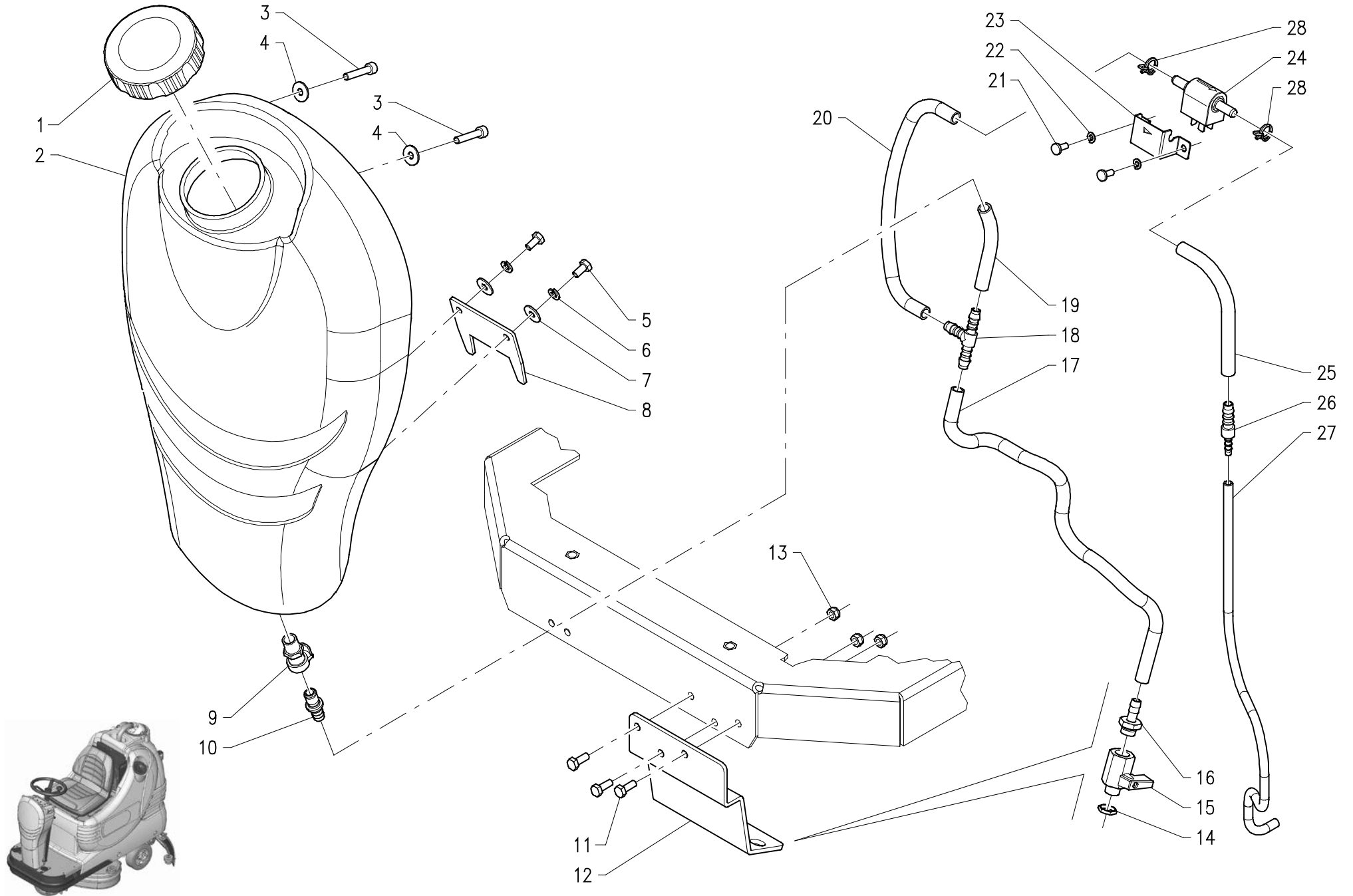


GRUPPO IDRICO

WATER UNIT ASSEMBLY • GROUPE HYDRIQUE • WASSERGRUPPE • GRUPO HÍDRICO

M0810-20 R01

| Pos. | S/N | Codice | Q.tà | Denominazione | Description | Description | Benennung | Descripción |
|------|-----|----------|------|------------------------------------|----------------------------|--------------------------|----------------------------|-------------------------|
| 1 | | 60306007 | 2 | RONDELLA Ø6x18 - UNI 6593 | WASHER | RONDELLE | UNTERLAGSCHEIBE | ARANDELA |
| 2 | | 60220601 | 2 | DADO M6 AUTOBL. - UNI 7474 | NUT | ECROU | MUTTER | TUERCA |
| 3 | | 47900150 | 1 | FILTRO | FILTER | FILTRE | FILTER | FILTRO |
| 4 | | 60110627 | 2 | VITE M6x50 TE - UNI 5737 | SCREW | VIS | SCHRAUBE | TORNILLO |
| 5 | | 60100601 | 2 | VITE M6x16 TTQST - UNI 5732 | SCREW | VIS | SCHRAUBE | TORNILLO |
| 6 | | 20801300 | 1 | STAFFA FILTRO | FILTER SUPPORT | ATTAQUE DE FILTRE | FILTERBÜGEL | SOPORTE DE FILTRO |
| 7 | | 60220601 | 2 | DADO M6 AUTOBL. - UNI 7474 | NUT | ECROU | MUTTER | TUERCA |
| 8 | | 62350012 | 1 | TAPPO 1/2" F. | PLUG | BOUCHON | DECKEL | TAPÓN |
| 9 | | 62370002 | 1 | GUARNIZIONE 1/2"F-1/4"M | GASKET | JOINT | DICHTUNG | JUNTA |
| 10 | | 62360020 | 1 | NIPPLO 1/2" | NIPPLE | RACCORD FILETE | NIPPEL | NIPLE |
| 11 | | 62360020 | 1 | NIPPLO 1/2" | NIPPLE | RACCORD FILETE | NIPPEL | NIPLE |
| 12 | | 62340100 | 1 | PORTAGOMMA DRITTO M.1/2"X20 | STRAIGHT FITTING | RACCORD DROIT | SCHLAUCHANSCHLUSS GERADE | EMPALME RECTO |
| 13 | | 62330040 | 1 | RACCORDO A T 90° 1/2" F | T-FITTING | RACCORD A T | T-VERSCHRAUBUNG | CODO DE TRES BOCAS |
| 14 | | 62310002 | 1 | CORPO RUBINETTO 1/2" F.F. | SOLUTION VALVE BODY | CORPS DU ROBINET | KÖRPER WASSERHAHN | CUERPO GRIFO |
| 15 | | 60210501 | 1 | DADO M5 - UNI 5588 INOX | NUT INOX | ECROU INOX | MUTTER INOX | TUERCA INOX |
| 16 | | 20810070 | 1 | ASTA COMANDO RUBINETTO | ROD SOLUTION VALVE CONTROL | TIGE COMMANDE DE ROBINET | STANGE WASSERHAHN BETÄTIG. | VARILLO MANDO DE GRIFO |
| 17 | | 20302520 | 1 | TUBO ACQUA DESTRO | WATER PIPE RIGHT | TUBE D'EAU DROITE | WASSERROHR RECHTS | TUBO DE AGUA DERECHO |
| 18 | | 62340180 | 2 | GHIERA FILETTATA 3/8" | THREADED RING NUT | EMBOUT FILETE | NUTMUTTER MIT GEWINDE | TUERCA ANULAR ROSCADA |
| 19 | | 61301002 | 2 | OR 2037 (9,25x1,78) NBR | O-RING | JOINT OR | O-RING | JUNTA ANULAR |
| 20 | | 20302530 | 1 | TUBO ACQUA SINISTRO | WATER PIPE LEFT | TUBE D'EAU GAUCHE | WASSERROHR LINKS | TUBO DE AGUA IZQUIERDO |
| 21 | | 60211002 | 1 | DADO M10 - UNI 5588 INOX | NUT INOX | ECROU INOX | MUTTER INOX | TUERCA INOX |
| 22 | | 60510002 | 1 | RONDELLA Ø10 DENT.-DIN 6798/A INOX | LOCK WASHER | RONDELLE FREIN | ZAHNSCHEIBE | ARANDELA DENTADA |
| 23 | | 47630640 | 1 | TUBO Ø12X85 POLIETILENE | HOSE | TUYAU | SCHLAUCH | TUBO DE GOMA |
| 24 | | 20802030 | 1 | TAPPO DISTRIBUTORE | COVER | COUVERCLE | DECKEL | TAPA |
| 25 | | 20102400 | 1 | DISTRIBUTORE ACQUA | DISTRIBUTOR | DISTRIBUTEUR | VERTEILER | DISTRIBUIDOR |
| 26 | | 61301301 | 1 | OR 3056 (13,94x2,62) NBR | O-RING | JOINT OR | O-RING | JUNTA ANULAR |
| 27 | | 62340070 | 1 | GHIERA 1/2" | RING NUT | EMBOUT | NUTMUTTER | TUERCA ANULAR |
| 28 | | 47512080 | 1 | CORPO ELETTROVALVOLA | BODY SOLENOID VALVE | CORPS D'ELECTROVANNE | KÖRPER MAGNETVENTIL | CUERPO ELECTROVÁLVULA |
| 29 | | 62030007 | 1 | PUNTALE TT18 (FORO 16-17) | CAP | CAPUCHON | DECKEL | TAPA |
| 30 | | 62370011 | 1 | CONTRODADO 1/2" | ADJUSTER NUT | ECROU DE REGLAGE | RANDELMUTTER | CONTRATUERCA |
| 31 | | 47522010 | 1 | BOBINA ELETTROVALVOLA | COIL SOLENOID VALVE | BOBINE D'ELECTROVANNE | SPULE MAGNETVENTIL | BOBINA ELECTROVÁLVULA |
| 32 | | 47592010 | 1 | CONNETTORE QUADRATO | CONNECTOR | CONNECTEUR | STECKER | CONECTOR |
| 33 | | 47532040 | 1 | ELETTROVALVOLA COMPLETA | SOLENOID VALVE ASSEMBLY | ELECTROVANNE COMPLETE | MAGNETVENTIL KOMPLETT | ELECTROVÁLVULA COMPLETA |
| 34 | | 62340190 | 1 | PORTAGOMMA DRITTO 1/2" X16 | CONNECTOR | RACCORD | SCHLAUCHANSCHULLS | EMPALME TUBO DE GOMA |
| 35 | | 47630990 | 1 | TUBO Ø14x1500 SPIRALE ACCIAIO | HOSE | TUYAU | SCHLAUCH | TUBO DE GOMA |
| 36 | | 61930009 | 2 | FASCETTA STRINGITUBO FERRO | CLAMP HOSE WRENCH | COLLIER SERRE-TUYAU | BRIDE SCHLAUCHKLEMME | ABRAZADERA BLOQUEO TUBO |
| 37 | | 60160402 | 1 | GRANO M4x12 E.I. - UNI 5927 | DOWEL | VIS CYLINDRIQUE | MADENSCHRAUBE | TORNILLO |
| 38 | | 61810015 | 1 | MANOPOLA DI REGOLAZIONE | ADJUSTMENT KNOB | POIGNEE DE REGLAGE | HANDGRIFF VERSTELLUNG | EMPUÑADURA DE REGLAJE |
| 39 | | 60110608 | 2 | VITE M6x16 TE - UNI 5739 | SCREW | VIS | SCHRAUBE | TORNILLO |
| 40 | | 60506005 | 2 | RONDELLA Ø6 GROWER - DIN 127 | LOCK WASHER | RONDELLE FREIN | ZAHNSCHEIBE | ARANDELA DENTADA |
| 41 | | 60306007 | 2 | RONDELLA Ø6x18 - UNI 6593 | WASHER | RONDELLE | UNTERLAGSCHEIBE | ARANDELA |
| 42 | | 61930002 | 2 | FASCETTA STRINGITUBO FERRO | CLAMP HOSE WRENCH | COLLIER SERRE-TUYAU | BRIDE SCHLAUCHKLEMME | ABRAZADERA BLOQUEO TUBO |
| 43 | | 20310070 | 1 | RACCORDO FLANGIATO | FLANGED FITTING | RACCORD A BRIDE | GEFLANSCHTE VERSCHRAUBUNG | RACOR EMPALMADO |
| 44 | | 62370004 | 1 | GUARNIZIONE Ø30x36x4 | GASKET | JOINT | DICHTUNG | JUNTA |
| 45 | | 20310060 | 1 | COPERCHIO RACCORDO FLANGIATO | FITTING COVER | COUVERCLE DE RACCORD | DECKEL VERSCHRAUBUNG | TAPA DE RACOR |
| 46 | | 47630630 | 1 | TUBO Ø20x1360 SPIRALE ACCIAIO | HOSE | TUYAU | SCHLAUCH | TUBO DE GOMA |
| 47 | | 60210402 | 1 | DADO M4 - UNI 5587 | NUT | ECROU | MUTTER | TUERCA |
| 48 | | 62370002 | 1 | GUARNIZIONE 1/2"F-1/4"M | GASKET | JOINT | DICHTUNG | JUNTA |

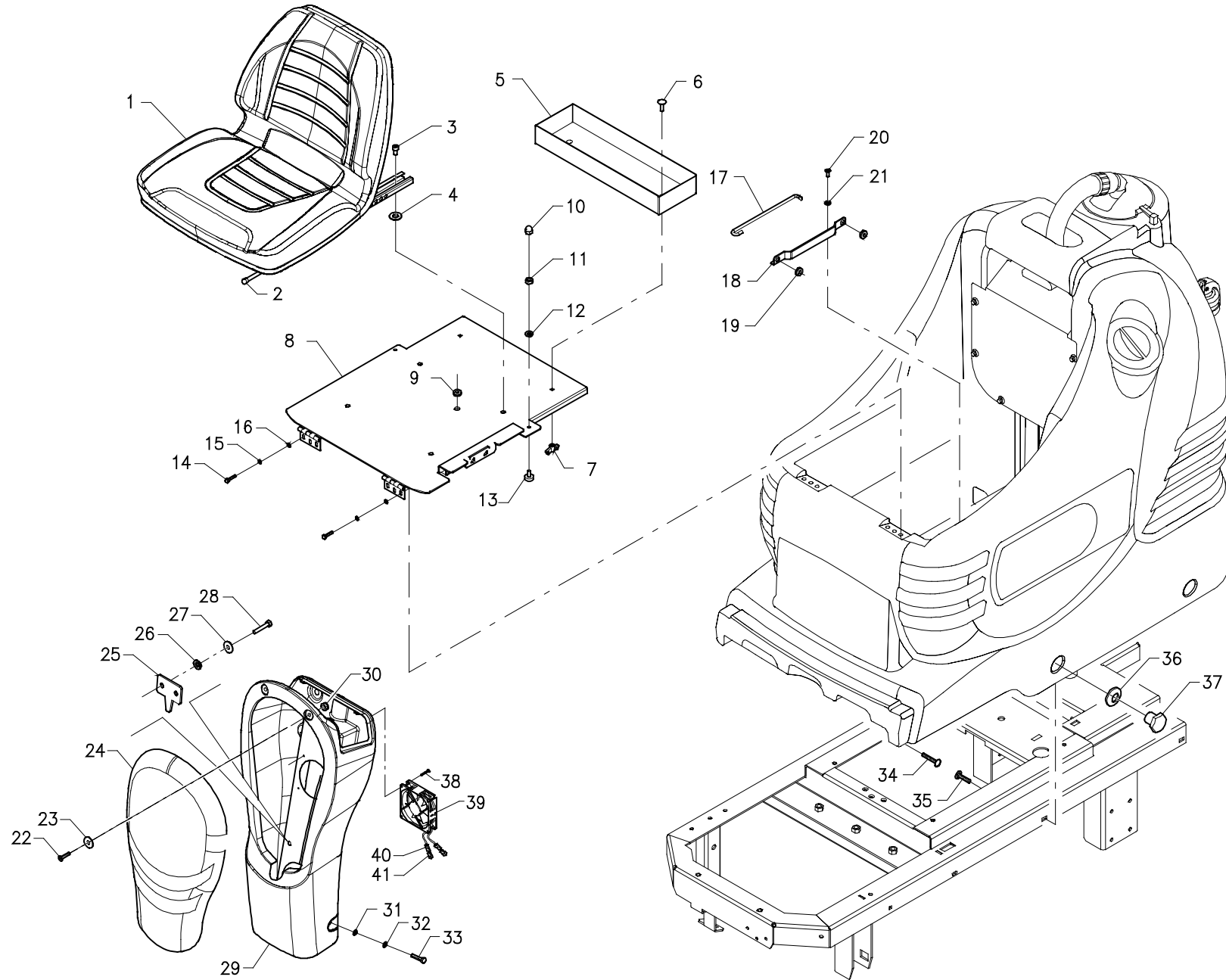


GRUPPO SERBATOIO DETERGENTE

DETERGENT TANK ASSEMBLY • GROUPE RESERVOIR DETERGENT • GRUPE DOSIERTANK • GRUPO DEÓSITO DETERGENTE

M0810-30 R00

| Pos. | S/N | Codice | Q.tà | Denominazione | Description | Description | Benennung | Descripción |
|------|-----|----------|------|---------------------------------|------------------------|-----------------------------|--------------------------|-------------------------------|
| 1 | | 62350010 | 1 | TAPPO | COVER | COUVERCLE | DECKEL | TAPA |
| 2 | | 20811200 | 1 | SERBATOIO DETERGENTE | DETERGENT TANK | RESERVOIR DETERGENT | DOSIERTANK | DEPÓSITO DETERGENTE |
| 3 | | 60130606 | 2 | VITE M6x30 TCEI - UNI 5931 | SCREW | VIS | SCHRAUBE | TORNILLO |
| 4 | | 60306002 | 2 | RONDELLA Ø6x12 - UNI 6592 | WASHER | RONDELLE | UNTERLAGSCHEIBE | ARANDELA |
| 5 | | 60110612 | 2 | VITE M6x20 TE - UNI 5739 | SCREW | VIS | SCHRAUBE | TORNILLO |
| 6 | | 60506002 | 2 | RONDELLA Ø6 DENT. - DIN 6798A | LOCK WASHER | RONDELLE FREIN | ZAHNSCHEIBE | ARANDELA DENTADA |
| 7 | | 60306007 | 2 | RONDELLA Ø 6x18 - UNI 6593 | WASHER | RONDELLE | UNTERLAGSCHEIBE | ARANDELA |
| 8 | | 20811210 | 1 | STAFFA SERBATOIO DETERGENTE | SUPPORT DETERGENT TANK | ATTAQUE RESERVOIR DETERGENT | HALTERUNG DOSIERTANK | SOPORTE FIJADOR DEPÓSITO DET. |
| 9 | | 62380001 | 1 | INNESTO FEMMINA G1/4 | FEMALE COUPLING | EMBAYAGE FEMELLE | KUPPLUNG OHNE ZAPFEN | ACOPLAMIENTO HEMBRA |
| 10 | | 62380002 | 1 | INNESTO MASCHIO Ø9.5 | MALE COUPLING | EMBAYAGE MALE | KUPPLUNG MIT ZAPFEN | ACOPLAMIENTO MACHO |
| 11 | | 60110608 | 3 | VITE M6x16 TE - UNI 5739 | SCREW | VIS | SCHRAUBE | TORNILLO |
| 12 | | 20801210 | 1 | PROTEZIONE IMPIANTO IDRICO | PROTECTION | PROTECTION | ABDECKUNG | PROTECCIÓN |
| 13 | | 60220601 | 3 | DADO M6 AUTOBL. - UNI 7474 | LOCK NUT | ECROU AUTOBLOQUANT | STOPMUTTER | TUERCA AUTOBLOQUEANTE |
| 14 | | 62370012 | 1 | CONTRODADO G1/4 | ADJUSTER NUT | ECROU DE REGLAGE | RÄNDELMUTTER | CONTRATUERCA |
| 15 | | 62310007 | 1 | CORPO RUBINETTO 1/4" M.F. | VALVE BODY | CORPS DU ROBINET | KÖRPER WASSERHAHN | CUERPO GRIFO |
| 16 | | 62340020 | 1 | PORTAGOMMA DIRITTO 1/4"x8 | STRAIGHT CONNECTOR | RACCORD | SCHLAUCHANSCHLUSS GERADE | EMPALME TUBO DE GOMA |
| 17 | | 47630740 | 1 | TUBO Ø8x450 CRISTALLO | HOSE | TUYAU | SCHLAUCH | TUBO DE GOMA |
| 18 | | 62330050 | 1 | RACCORDO A T Ø8 | T-FITTING | RACCORD A T | T-VERSCHRAUBUNG | RACOR A T |
| 19 | | 47630750 | 1 | TUBO Ø8x590 RETINATO | HOSE | TUYAU | SCHLAUCH | TUBO DE GOMA |
| 20 | | 47630760 | 1 | TUBO Ø8x270 CRISTALLO | HOSE | TUYAU | SCHLAUCH | TUBO DE GOMA |
| 21 | | 60140503 | 2 | VITE M5x12 TCTC - UNI 7687 | SCREW | VIS | SCHRAUBE | TORNILLO |
| 22 | | 60505002 | 2 | RONDELLA Ø5 GROWER - DIN 127B | LOCK WASHER | RONDELLE FREIN | ZAHNSCHEIBE | ARANDELA DENTADA |
| 23 | | 20812200 | 1 | SUPPORTO POMPA DETERGENTE | DETERGENT PUMP SUPPORT | SUPPORT POMPE DETERGENTE | HALTERUNG DOSIERPUMPE | SOPORTE BOMBA DETERGENTE |
| 24 | | 47402010 | 1 | POMPA DETERGENTE | DETERGENT PUMP | POMPE DETERGENTE | DOSIERPUMPE | BOMBA DETERGENTE |
| 25 | | 47630770 | 1 | TUBO Ø8x150 CRISTALLO | HOSE | TUYAU | SCHLAUCH | TUBO DE GOMA |
| 26 | | 62340250 | 1 | PORTAGOMMA DIRITTO Ø8 - Ø5 | STRAIGHT CONNECTOR | RACCORD | SCHLAUCHANSCHLUSS GERADE | EMPALME TUBO DE GOMA |
| 27 | | 47630780 | 1 | TUBO Ø5x500 CRISTALLO | HOSE | TUYAU | SCHLAUCH | TUBO DE GOMA |
| 28 | | 61930012 | 2 | FASCETTA STRINGITUBO MM. 9-11x9 | CLAMP | COLLIER | BRIDE | ABRAZADERA |

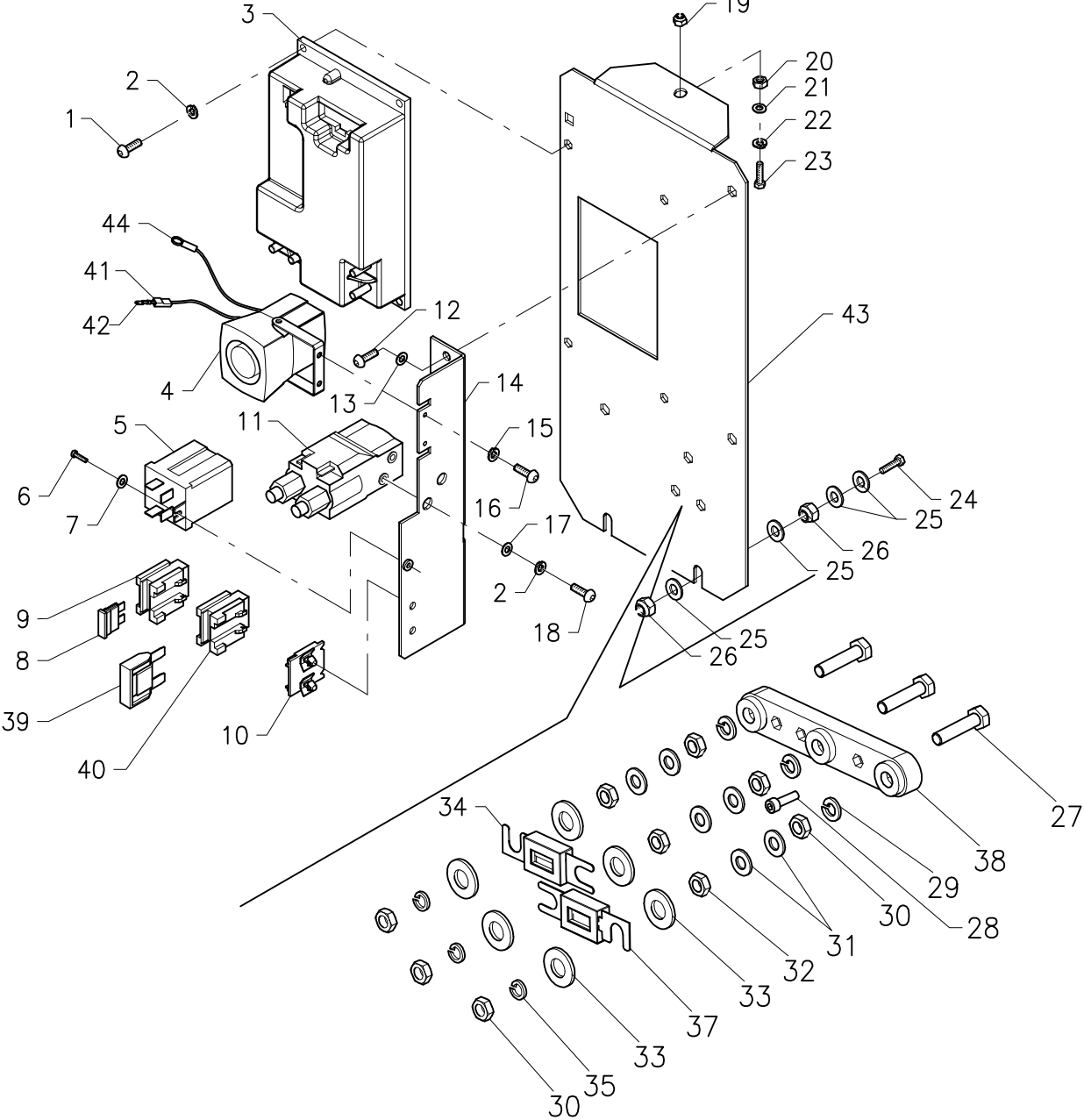


GRUPPO CARROZZERIA

BODYWORK ASSEMBLY • GROUPE DE CARROSSERIE • GRUPPE KAROSSERIE • GRUPO CARROCERÍA

M0811-10 R02

| Pos. | S/N | Codice | Q.tà | Denominazione | Description | Description | Benennung | Descripción |
|------|-----|----------|------|----------------------------------|-----------------------------|-------------------------------|-----------------------------|----------------------------------|
| 1 | | 62408005 | 1 | SEDILE CON GUIDE E MICRO | SEAT WITH GUIDES + MICROSW. | SIEGE AVEC GUIDES + MICROINT. | SITZ MIT FÜHRUNGEN + MIKRO | ASIENTO CON GUIAS + MICROINT. |
| 2 | | 62010009 | 1 | CAPPELLOTTA PROTEZIONE Ø7.9 | CAP | BUTEE | AUFLAGESTIFT | CAPUCHO |
| 3 | | 60130803 | 4 | VITE M8x16 TCEI - UNI 9327 | SCREW | VIS | SCHRAUBE | TORNILLO |
| 4 | | 60309002 | 4 | RONDELLA Ø8x24 - UNI 6593 | WASHER | RONDELLE | UNTERLAGSCHEIBE | ARANDELA |
| 5 | | 20811060 | 1 | PORTAOGGETTI | HOLDER | PORTE-OBJET | HALTER | PORTA-OBJETOS |
| 6 | | 60100501 | 2 | VITE M5x16 TTQST - UNI 5732 | SCREW | VIS | SCHRAUBE | TORNILLO |
| 7 | | 61705001 | 2 | GALLETTO GB34 M5 F.P. | WING NUT | ECROU PAPILLON | FLÜGELMUTTER | MARIPOSA |
| 8 | | 20811030 | 1 | BASE SEDILE | BASE SEAT | BASE DE SIEGE | UNTERLAGE SITZ | BASE ASIENTO |
| 9 | | 63713001 | 1 | PASSACAVO | FAIRLEAD | PASSE-CABLE | KABELDURCHGANG | GUIACABLE |
| 10 | | 60230601 | 2 | DADO M6 CIECO CALOTTA NYLON | CAP NUT | ECROU BORGNE | HUTMUTTER | TUERCA CIEGA |
| 11 | | 60210608 | 2 | DADO M6 - UNI 5588 | NUT | ECROU | MUTTER | TUERCA |
| 12 | | 60506004 | 2 | RONDELLA Ø6 GROWER - ASA B27 | LOCK WASHER | RONDELLE FREIN | ZAHNSCHEIBE | ARANDELA DENTADA |
| 13 | | 62405001 | 2 | PIEDINO ANTIVIBRANTE Ø20x7 M6x15 | CAP VIBRATION-DAMPING | BOUCHON ANTIVIBRANT | DÄMMUNGSTOPFEN | TAPÓN ANTIVIBRANTE |
| 14 | | 60110608 | 6 | VITE M6x16 TE - UNI 5739 | SCREW | VIS | SCHRAUBE | TORNILLO |
| 15 | | 60506004 | 6 | RONDELLA Ø6 GROWER - ASA B27 | LOCK WASHER | RONDELLE FREIN | ZAHNSCHEIBE | ARANDELA DENTADA |
| 16 | | 60306007 | 6 | RONDELLA Ø6x18 - UNI 6593 | WASHER | RONDELLE | UNTERLAGSCHEIBE | ARANDELA |
| 17 | | 20811040 | 1 | PUNTELLO BASE SEDILE | PROP BASE SEAT | LEVIER BASE DE SIEGE | ABSTÜTZUNG UNTERLAGE SITZ | PUNTAL BASE ASIENTO |
| 18 | | 20811050 | 1 | STAFFA PUNTELLO SEDILE | GUIDE SEAT PROP | GUIDE LEVIER DE SIEGE | FÜHRUNG ABSTÜTZUNG | GUIA PUNTAL ASIENTO |
| 19 | | 63713001 | 2 | PASSACAVO | FAIRLEAD | PASSE-CABLE | KABELDURCHGANG | GUIACABLE |
| 20 | | 60180602 | 2 | VITE M6x12 TPSEI - UNI 5933 INOX | SCREW INOX | VIS INOX | SCHRAUBE INOX | TORNILLO INOX |
| 21 | | 60506001 | 2 | RONDELLA DENT. Ø6 - DIN 6798/V | LOCK WASHER | RONDELLE FREIN | ZAHNSCHEIBE | ARANDELA DENTADA |
| 22 | | 60130606 | 2 | VITE M6x30 TCEI - UNI 5931 | SCREW | VIS | SCHRAUBE | TORNILLO |
| 23 | | 60306003 | 2 | RONDELLA Ø6x12 - UNI 6592 | WASHER | RONDELLE | UNTERLAGSCHEIBE | ARANDELA |
| 24 | | 20611020 | 1 | CARTER MUSETTO | FRONT COVER | CARTER AVANT | VORDERE ABDECKUNG | CÁRTER DELANTERO |
| 25 | | 20611030 | 1 | STAFFA CARTER MUSETTO | SUPPORT FRONT COVER | ATTAQUE CARTER AVANT | HALTERUNG VORDERE ABDECKUNG | SOPORTE FIJADOR CÁRTER DELANTERO |
| 26 | | 60506002 | 2 | RONDELLA DENT. Ø6 - DIN 6798/A | LOCK WASHER | RONDELLE FREIN | ZAHNSCHEIBE | ARANDELA DENTADA |
| 27 | | 60306007 | 2 | RONDELLA Ø6x18 - UNI 6593 | WASHER | RONDELLE | UNTERLAGSCHEIBE | ARANDELA |
| 28 | | 60110608 | 2 | VITE M6x16 TE - UNI 5739 | SCREW | VIS | SCHRAUBE | TORNILLO |
| 29 | | 20611440 | 1 | MUSETTO ANTERIORE | FRONT COVERING | REVETEMENT AVANT | VORDERE VERKLEIDUNG | REVESTIMIENTO DELANTERO |
| 30 | | 60220601 | 2 | DADO M6 AUTOBL. - UNI7474 | LOCK NUT | ECROU AUTOBLOQUANT | STOPMUTTER | TUERCA AUTOBLOQUEANTE |
| 31 | | 60306007 | 2 | RONDELLA Ø6x18 - UNI 6593 | WASHER | RONDELLE | UNTERLAGSCHEIBE | ARANDELA |
| 32 | | 60506005 | 2 | RONDELLA Ø6 GROWER - DIN 127B | LOCK WASHER | RONDELLE FREIN | ZAHNSCHEIBE | ARANDELA DENTADA |
| 33 | | 60110621 | 2 | VITE M6x40 TE - UNI 5737 | SCREW | VIS | SCHRAUBE | TORNILLO |
| 34 | | 60100808 | 2 | VITE M8x50 TTQST - UNI 5732 | SCREW | VIS | SCHRAUBE | TORNILLO |
| 35 | | 60100805 | 2 | VITE M8x30 TTQST - UNI 5732 | SCREW | VIS | SCHRAUBE | TORNILLO |
| 36 | | 60514001 | 4 | RONDELLA CON. Ø14x32 DENT. INT. | CONICAL WASHER | RONDELLE CONIQUE | KONISCHE UNTERLAGSCHEIBE | ARANDELA CÓNICA |
| 37 | | 47103130 | 4 | BOCCOLA | BUSHING | BAGUE | BUCHSE | CASQUILLO |
| 38 | | 60190418 | 4 | VITE Ø4,2x32 AUTOF. - UNI 6954 | SCREW | VIS | SCHRAUBE | TORNILLO |
| 39 | | 63719002 | 1 | VENTOLA 24V Ø92 | FAN | VENTILATEUR | FLÜGELRAD | VENTILADOR |
| 40 | | 62521001 | 2 | FASTON MASCHIO 6.3 NUDO | FASTON | FASTON | FASTON | FASTON |
| 41 | | 62531001 | 2 | COPRIFASTON MASCHIO | FASTON COVER | PROTECTION FASTON | SCHUTZ FÜR FASTON | CUBREFASTON |

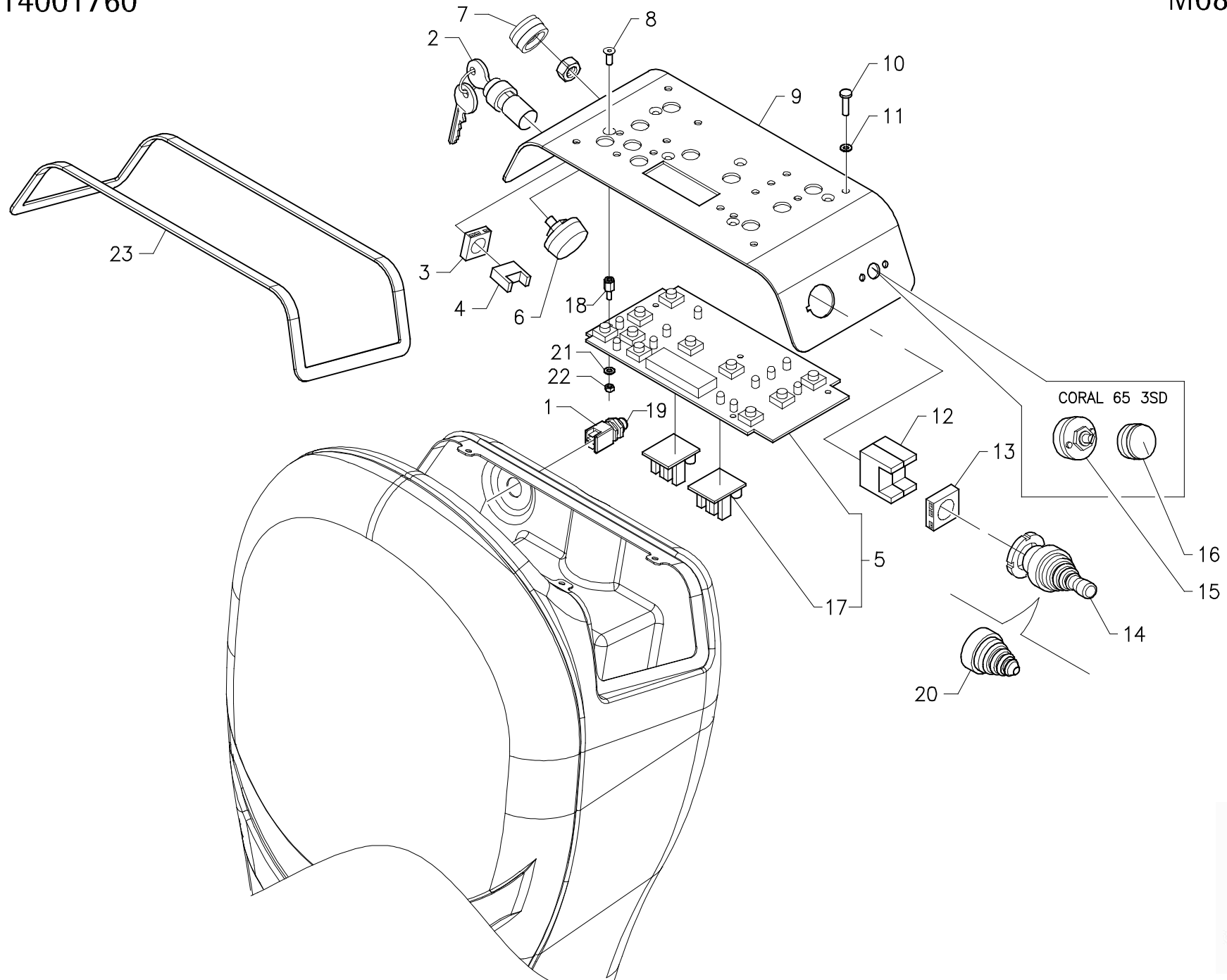


GRUPPO IMPIANTO ELETTRICO

ELECTRICAL LAYOUT ASSEMBLY • GROUPE INSTALLATION ELECTRIQUE • GRUPPE ELEKTRISCHE ANLAGE • GRUPO INSTALACIÓN ELÉCTRICA

M0812-10 R02

| Pos. | S/N | Codice | Q.tà | Denominazione | Description | Description | Benennung | Descripción |
|------|-----|----------|------|------------------------------------|---------------------------|-----------------------|--------------------------|-----------------------|
| 1 | | 60140404 | 2 | VITE M4x16 TCTC - UNI 7687 | SCREW | VIS | SCHRAUBE | TORNILLO |
| 2 | | 60504001 | 4 | RONDELLA DENT. Ø4 - DIN 6798/A | LOCK WASHER | RONDELLE FREIN | ZAHNSCHEIBE | ARANDELA DENTADA |
| 3 | | 49701200 | 1 | SCHEMA CHOPPER 24V | CHOPPER CARD | FICHE ELECTRONIQUE | ELEKTRONIKKARTE | FICHA CHOPPER |
| 4 | | 63709003 | 1 | AVVISATORE ACUSTICO 12V | HORN | KLAXON | HUPE | BOCINA |
| 5 | | 49620010 | 1 | RELE' 24V-30A A 1 VIA A FASTON | RELAY 24V-30A 1-WAY | RELAIS 24V-30A 1-VOIE | RELAIS 24V-30A 1-WEG | RELÉ 24V-30A 1 VIA |
| 6 | | 60140311 | 1 | VITE M3x6 TCTC - UNI 7687 | SCREW | VIS | SCHRAUBE | TORNILLO |
| 7 | | 60303002 | 1 | RONDELLA Ø3x7x0,5 - UNI 6592 | WASHER | RONDELLE | UNTERLAGSCHEIBE | ARANDELA |
| 8 | | 62800301 | 1 | FUSIBILE 3A A FASTON | FUSE | FUSIBLE | SICHERUNG | FUSIBLE |
| 9 | | 62800001 | 1 | PORTAFUSIBILE 1 VIA TERM.FASTON | FUSEHOLDER | PORTE FUSIBLE | SICHERUNGSHALTER | PORTAFUSIBILE |
| 10 | | 63717002 | 1 | PIASTRINA FISS. MAXI-PORTAFUSIBILE | FIXING PLAQUE | PLAQUETTE DE FIXATION | BEFESTIGUNGSAUFLAGE | PLAQUETA DE AJUSTE |
| 11 | | 49620100 | 1 | TELERUTTORE 24V-100A SU 60-2010 | REMOTE CONTROL SWITCH 24V | TELERUPTEUR 24V | SCHÜTZ 24V | TELERRUPTOR 24V |
| 12 | | 60140504 | 2 | VITE M5x14 TCTC - UNI 7687 | SCREW | VIS | SCHRAUBE | TORNILLO |
| 13 | | 60505001 | 2 | RONDELLA DENT. Ø5 - DIN 6798/A | LOCK WASHER | RONDELLE FREIN | ZAHNSCHEIBE | ARANDELA DENTADA |
| 14 | | 20812030 | 1 | PIASTRA SUPPORTO RELE' | PLAQUE | PLAQUE | BEFESTIGUNGSAUFLAGE | PLACA |
| 15 | | 60503002 | 2 | RONDELLA DENT. Ø3 - DIN 6798/A | LOCK WASHER | RONDELLE FREIN | ZAHNSCHEIBE | ARANDELA DENTADA |
| 16 | | 60140301 | 2 | VITE M3x10 TCTC - UNI 7687 | SCREW | VIS | SCHRAUBE | TORNILLO |
| 17 | | 60304004 | 2 | RONDELLA Ø4x12 - UNI 6593 | WASHER | RONDELLE | UNTERLAGSCHEIBE | ARANDELA |
| 18 | | 60140402 | 2 | VITE M4x10 TCTC - UNI 7687 | SCREW | VIS | SCHRAUBE | TORNILLO |
| 19 | | 60220801 | 1 | DADO M8 AUTOBL. - UNI 7474 | LOCK NUT | ECROU AUTOBLOQUANT | STOPMUTTER | TUERCA AUTOBLOQUEANTE |
| 20 | | 60210805 | 1 | DADO M8 - UNI 5589 | NUT | ECROU | MUTTER | TUERCA |
| 21 | | 60309002 | 1 | RONDELLA Ø8x24 - UNI 6593 | WASHER | RONDELLE | UNTERLAGSCHEIBE | ARANDELA |
| 22 | | 60508004 | 1 | RONDELLA CON. Ø8,5x22 DENT. INT. | CONICAL WASHER | RONDELLE CONIQUE | KONISCHE UNTERLAGSCHEIBE | ARANDELA CÓNICA |
| 23 | | 60110809 | 1 | VITE M8x25 TE - UNI 5739 | SCREW | VIS | SCHRAUBE | TORNILLO |
| 24 | | 60110617 | 2 | VITE M6x25 TE - UNI 5739 | SCREW | VIS | SCHRAUBE | TORNILLO |
| 25 | | 60306007 | 8 | RONDELLA Ø6x18 - UNI 6593 | WASHER | RONDELLE | UNTERLAGSCHEIBE | ARANDELA |
| 26 | | 60220601 | 4 | DADO M6 AUTOBL. - UNI 7474 | LOCK NUT | ECROU AUTOBLOQUANT | STOPMUTTER | TUERCA AUTOBLOQUEANTE |
| 27 | | 60110818 | 3 | VITE M8x40 TE - UNI 5739 | SCREW | VIS | SCHRAUBE | TORNILLO |
| 28 | | 60130506 | 2 | VITE M5x18 TCEI - UNI 5931 | SCREW | VIS | SCHRAUBE | TORNILLO |
| 29 | | 60508002 | 3 | RONDELLA DENT. Ø8 - DIN 6798/A | LOCK WASHER | RONDELLE FREIN | ZAHNSCHEIBE | ARANDELA DENTADA |
| 30 | | 60210805 | 6 | DADO M8 - UNI 5589 | NUT | ECROU | MUTTER | TUERCA |
| 31 | | 60308005 | 6 | RONDELLA Ø8x17 - DIN 125A OTTONE | WASHER BRASS | RONDELLE LAITON | MESSINGSCHEIBE | ARANDELA LATÓN |
| 32 | | 60210804 | 3 | DADO M8 - DIN 936 OTTONE | NUT BRASS | ECROU LAITON | MESSINGMUTTER | TUERCA LATÓN |
| 33 | | 60308006 | 6 | RONDELLA Ø8x24 - UNI 6593 OTTONE | WASHER BRASS | RONDELLE LAITON | MESSINGSCHEIBE | ARANDELA LATÓN |
| 34 | | 62808001 | 1 | FUSIBILE LAMELLARE 80A | LAMELLAR FUSE | FUSIBLE LAMELLAIRE | LAMELLENSICHERUNG | FUSIBLE LAMINAR |
| 35 | | 60508001 | 3 | RONDELLA Ø8 GROWER - DIN 127B | LOCK WASHER | RONDELLE FREIN | ZAHNSCHEIBE | ARANDELA DENTADA |
| 37 | | 62803501 | 1 | FUSIBILE LAMELLARE 35A | LAMELLAR FUSE | FUSIBLE LAMELLAIRE | LAMELLENSICHERUNG | FUSIBLE LAMINAR |
| 38 | | 62800003 | 1 | PORTAFUSIBILE DOPPIO | FUSEHOLDER DOUBLE | PORTE-FUSIBLE DOUBLE | DOPPELSICHERUNGSHALTER | PORTAFUSIBILE DOBLE |
| 39 | | 62808002 | 1 | MAXIFUSIBILE 80A A FASTON | MAXIFUSE | MAXIFUSIBLE | MAXI-SICHERUNG | MAXIFUSIBLE |
| 40 | | 62800002 | 1 | PORTAMAXIFUS. A 1 VIA TERM FASTON | FUSEHOLDER | PORTE-FUSIBLE | SICHERUNGSHALTER | PORTAFUSIBILE |
| 41 | | 62531001 | 1 | COPRIFASTON MASCHIO | FASTON COVER | PROTECTION FASTON | SCHUTZ FÜR FASTON | CUBREFASTON |
| 42 | | 62521001 | 1 | FASTON MASCHIO 6.3 NUDO | FASTON | FASTON | FASTON | FASTON |
| 43 | | 20812020 | 1 | PANNELLO IMPIANTO ELETTRICO | ELECTRICAL PANEL | PANNEAU ÉLECTRIQUE | SCHALTAFEL | CUADRO ELÉCTRICO |
| 44 | | 62512002 | 1 | CAPOCORDA AD OCCHIO Ø6,4 BLU | TERMINAL WITH EYELET BLUE | COSSE AVEC OEIL BLUE | KABELSCHUH MIT ÖSE BLAU | TERMINAL CON OJO AZUL |

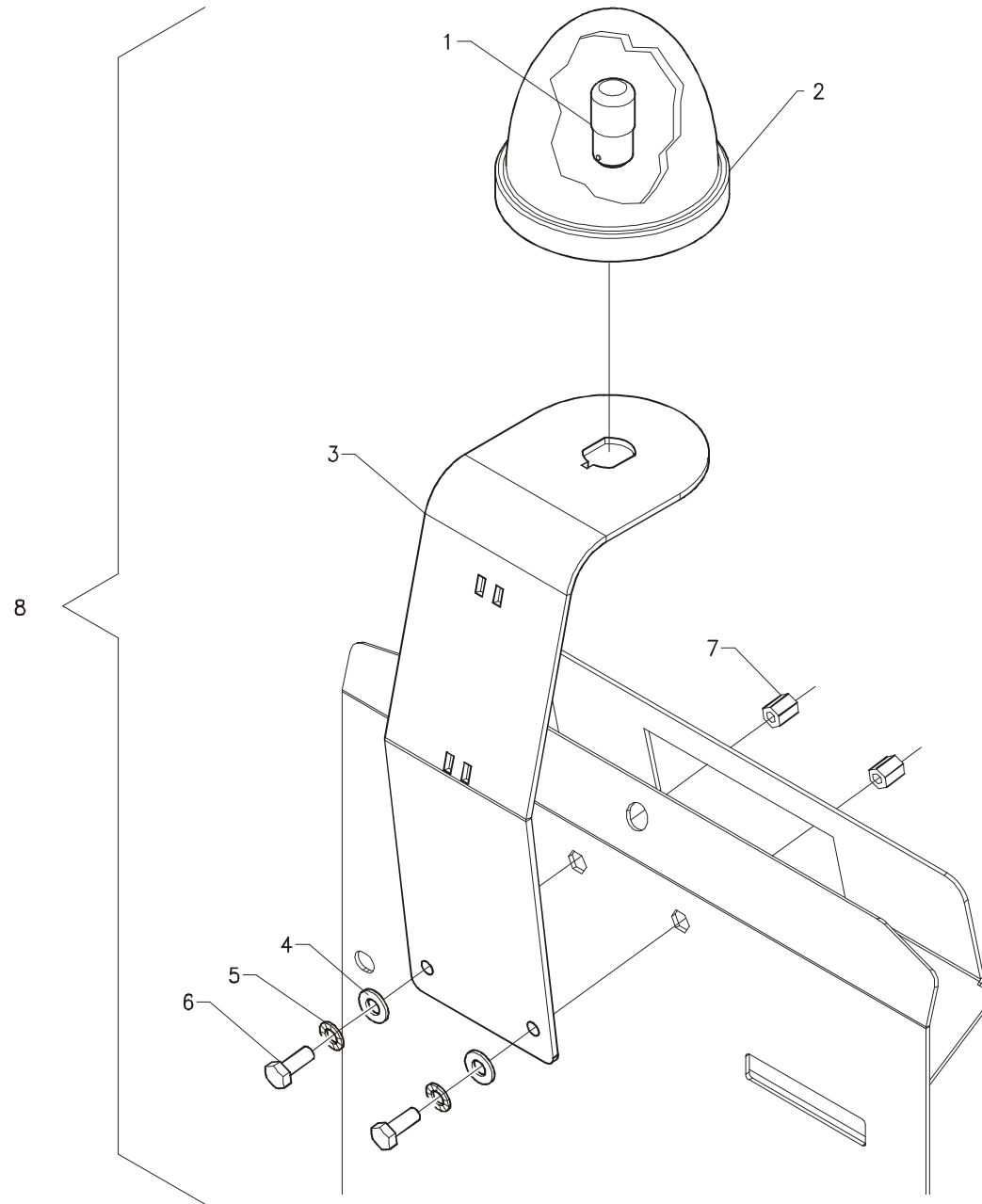


GRUPPO PANNELLO COMANDI

ASSEMBLY PANEL OF CONTROL • GROUPE DE PANNEAU DES COMMANDES • GRUPPE KONTROLLTAFEL • GRUPO PANEL DE MANDOS

M0812-20 R01

| Pos. | S/N | Codice | Q.tà | Denominazione | Description | Description | Benennung | Descripción |
|------|-----|----------|------|--------------------------------------|--------------------------|----------------------------|----------------------------|-------------------------|
| 1 | | 63709004 | 1 | PULSANTE PER AVVISATORE 12V | PUSH BUTTON HORN | BOUTON POUSSOIR KLAXON | DRUCKKNOPF HUPE | PULSADOR BOCINA |
| 2 | | 63410001 | 1 | INTERRUTTORE CON CHIAVI | SWITCH WITH KEYS | INTERRUPTEUR AVEC CLEFS | SCHALTER MIT SCHLÜSSEL | INTERRUPTOR CON LLAVES |
| 3 | | 63499002 | 1 | FLANGIA CONTATTO INTERR. A CHIAVE | CONTACT FLANGE | FLASQUE POUR CONTACT | KONTAKTFLANSCH | BRIDA CONTACTO |
| 4 | | 63413001 | 1 | CONTATTO PER INTERRUTTORE | CONTACT FOR SWITCH | CONTACT INTERRUPTEUR | SCHALTERKONTAKT | CONTACTO INTERRUPTOR |
| 5 | | 49704081 | 1 | SCHEDA FUNZIONI | CHECK CARD FUNCTIONS | PLAQUE CONTROLE FONCTIONS | KONTROLLKARTE FUNKTIONEN | FICHA CONTROL FUNCIONES |
| 6 | | 63405002 | 1 | COMMUTATORE ROTANTE RAD. 3 POS. | ROTATING COMMUTATOR | COMMUTATEUR ROTATIF | ROTIERENDE SCHALTUNG | CONMUTADOR |
| 7 | | 61810011 | 1 | MANOPOLA Ø23x13 NERA | KNOB BLACK | POIGNEE NOIR | KNOPF SCHWARZ | EMPUÑADURA NEGRO |
| 8 | | 60190305 | 6 | VITE Ø3,5x6,5 AUTOF.TPS + - UNI 6956 | SCREW | VIS | SCHRAUBE | TORNILLO |
| 9 | | 20812050 | 1 | PANNELLO COMANDI | PANEL CONTROLS | PANNEAU DES COMMANDES | BEDIENUNGSTAFEL | PANEL MANDOS |
| 10 | | 60140403 | 4 | VITE M4x12 TCTC UNI 7687 | SCREW | VIS | SCHRAUBE | TORNILLO |
| 11 | | 60304002 | 4 | RONDELLA Ø4x9 - UNI 6592 | WASHER | RONDELLE | ZAHNSCHEIBE | ARANDELA |
| 12 | | 63413001 | 2 | CONTATTO PER INTERRUTTORE | CONTACT FOR SWITCH | CONTACT INTERRUPTEUR | SCHALTERKONTAKT | CONTACTO INTERRUPTOR |
| 13 | | 63499002 | 1 | FLANGIA PER CONTATTO | CONTACT FLANGE | FLASQUE POUR CONTACT | KONTAKTFLANSCH | BRIDA CONTACTO |
| 14 | | 63407001 | 1 | MANIPOLATORE 2 POS. | MANIPULATOR | MANIPULATEUR | MANIPULATOR | MANIPULADOR |
| 15 | 3SD | 63405004 | 1 | COMMUTATORE ROTANTE RAD. 8 POS. | ROTATING COMMUTATOR | COMMUTATEUR ROTATIF | ROTIERENDE SCHALTUNG | CONMUTADOR |
| 16 | 3SD | 61810011 | 1 | MANOPOLA Ø23x13 NERA | KNOB BLACK | POIGNEE NOIR | KNOPF SCHWARZ | EMPUÑADURA NEGRO |
| 17 | | 49720005 | 2 | SCHEDINA | CHECK CARD | PLAQUE CONTROLE | KONTROLLKARTE | FICHA CONTROL |
| 18 | | 63705004 | 6 | DISTANZIALE ESAGONALE | HEXAGONAL SPACER | ENTRETOISE HEXAGONALE | SECHSKANT-DISTANZHÜLSE | DISTANCIADOR HEXAGONAL |
| 19 | | 63499008 | 1 | CAPPUCCIO PER PULSANTE | PROTECTION CAP | CALOTTE DE PROTECTION | SICHERHEITSKAPPE | CAPUCHO DE PROTECCION |
| 20 | | 63499007 | 1 | SOFFIETTO PER MANIPOLATORE | BELLOWS FOR MANIPULATOR | SOUFFLET POUR MANIPULATEUR | FALTENBALG FÜR MANIPULATOR | FUELLE MANIPULADOR |
| 21 | | 60303005 | 6 | RONDELLA Ø3.2x9 NYLON | WASHER NYLON | RONDELLE NYLON | ZAHNSCHEIBE NYLON | ARANDELA NYLON |
| 22 | | 60210304 | 6 | DADO M3 - UNI 5587 NYLON | NUT NYLON | ECROU NYLON | MUTTER NYLON | TUERCA NYLON |
| 23 | | 47800160 | 1 | GUARNIZIONE PANNELLO COMANDI | GASKET FOR CONTROL PANEL | JOINT PANNEAU COMMANDES | DICHTUNG BEDIENUNGSTAFEL | JUNTA PANEL MANDOS |

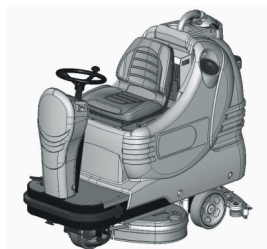
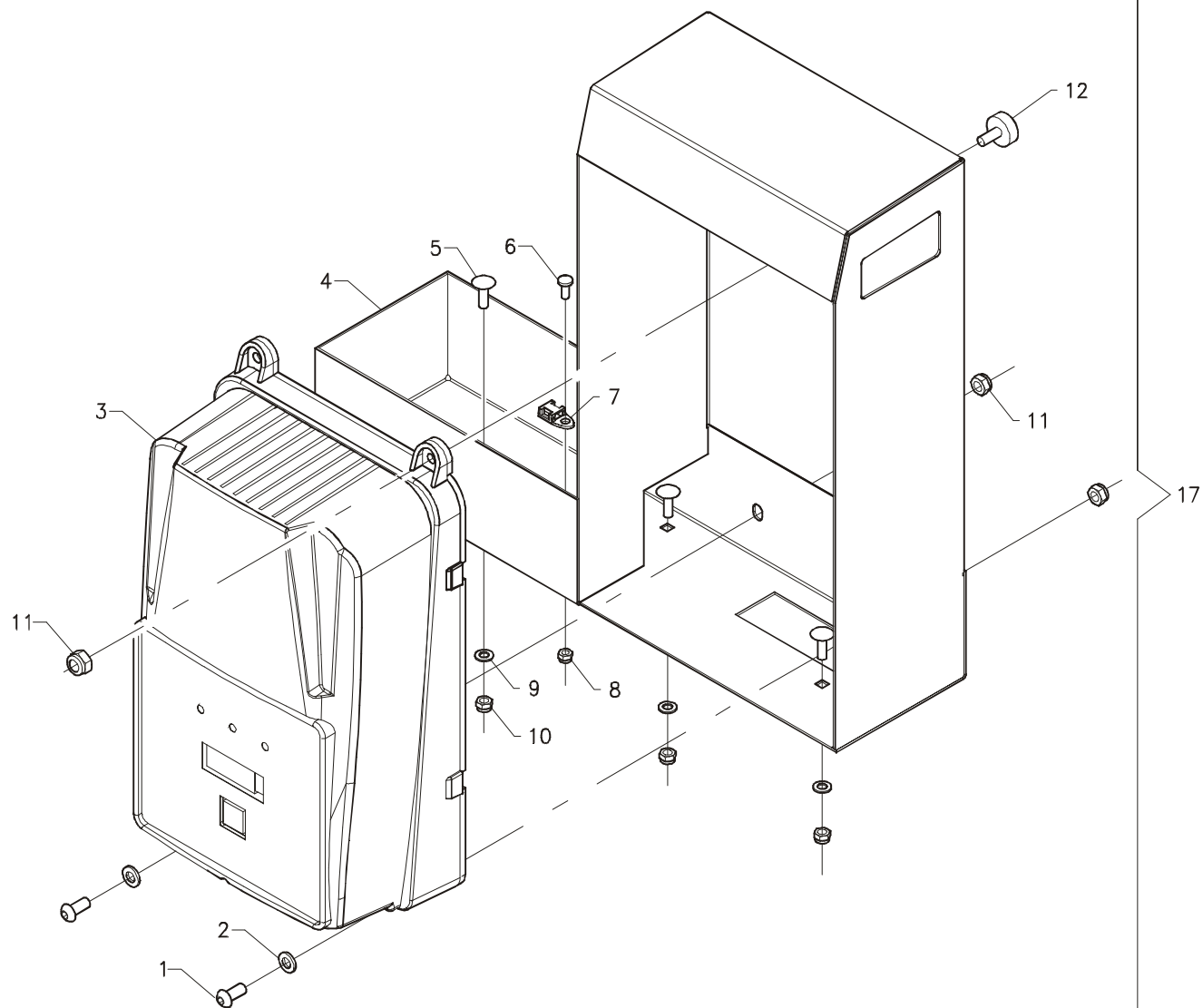
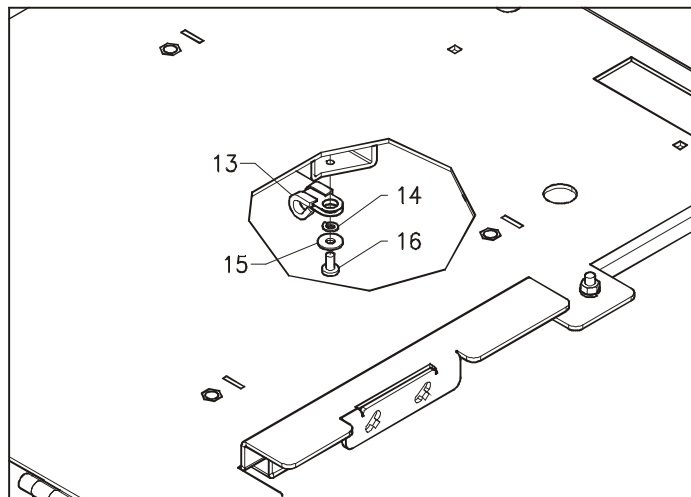


GRUPPO PANNELLO LAMPEGGIANTE (OPTIONAL)

ASSEMBLY WINKING LIGHT • GROUPE DE CLIGNOTEUR COMPLET • GRUPPE BLINKLEUCHTE • GRUPO LUZ INTERMITENTE

M0812-30 R00

| Pos. | S/N | Codice | Q.tà | Denominazione | Description | Description | Benennung | Descripción |
|------|-----|----------|------|--------------------------------|------------------------|-----------------------------|------------------------|--------------------------|
| 1 | OPT | 63310040 | 1 | LAMPADA PER LAMPEGGIANTE | ELECTRIC BULB | AMPOULE | GLÜHLAMPE | LÁMPARA |
| 2 | OPT | 63709008 | 1 | LAMPEGGIANTE | WINKING LIGHT | CLIGNOTEUR COMPLET | BLINKLEUCHTE | LUZ INTERMITENTE |
| 3 | OPT | 20811110 | 1 | SUPPORTO LAMPEGGIANTE | SUPPORT WINKING LIGHT | SUPPORT CLIGNOTEUR | HALTERUNG BLINKLEUCHTE | SOPORTE LUZ INTERMITENTE |
| 4 | OPT | 60306007 | 2 | RONDELLA Ø6x20 - UNI 6593 | WASHER | RONDELLE | UNTERLAGSCHEIBE | ARANDELA |
| 5 | OPT | 60506005 | 2 | RONDELLA Ø6 GROWER - DIN 127 | LOCK WASHER | RONDELLE FREIN | ZAHNSCHEIBE | ARANDELA DENTADA |
| 6 | OPT | 60110612 | 2 | VITE M6x16 TE - UNI 5739 | SCREW | VIS | SCHRAUBE | TORNILLO |
| 7 | OPT | 62406016 | 2 | INSERTO ESAG. M6 - UNI 10447B1 | HEXAGONAL INSERT | ENCART HEXAGONAL | SECHSKANTEINSATZ | INSERTO HEXAGONAL |
| 8 | OPT | V0811010 | 1 | ASSIEME LAMPEGGIANTE | ASSEMBLY WINKING LIGHT | GROUPE DE CLIGNOTEUR COMPL. | GRUPPE BLINKLEUCHTE | GRUPO LUZ INTERMITENTE |

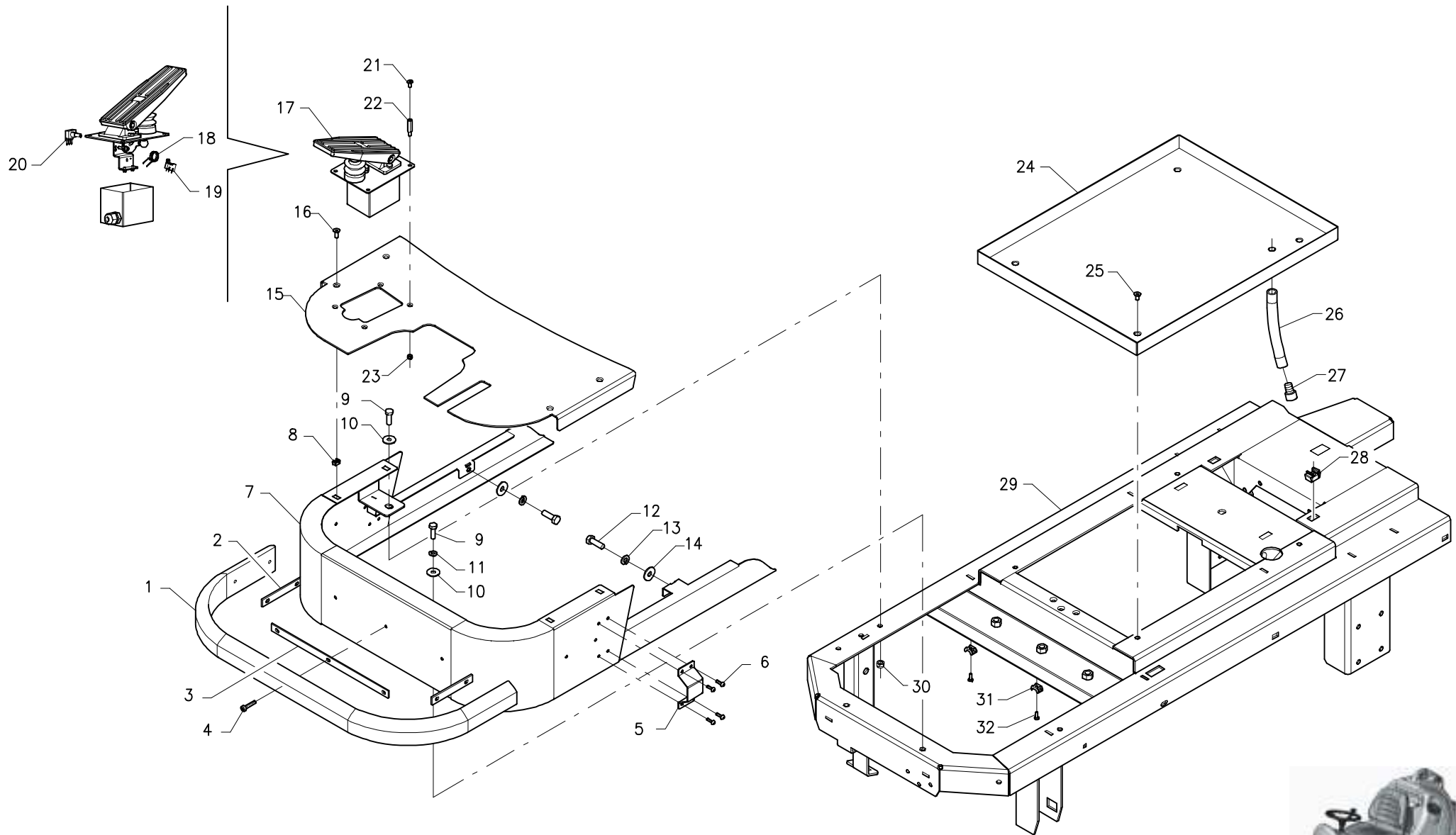


GRUPPO CARICA BATTERIE

BATTERY RECHARGER ASSEMBLY • GROUPE DE CHARGEUR DES BATTERIES • GRUPPE LADEGERÄT BATTERIEN • GRUPO CARGADOR DE LAS BATERÍAS

M0812-40 R00

| Pos. | S/N | Codice | Q.tà | Denominazione | Description | Description | Benennung | Descripción |
|------|-----|----------|------|----------------------------------|------------------------|----------------------------|-----------------------|----------------------------|
| 1 | | 60100690 | 2 | VITE M6x14 TBEI - ISO 7380 | SCREW | VIS | SCHRAUBE | TORNILLO |
| 2 | | 60306003 | 2 | RONDELLA Ø6x12 - UNI 6592 | WASHER | RONDELLE | UNTERLAGSCHEIBE | ARANDELA |
| 3 | | 64602018 | 1 | CARICABATTERIE CBHF2 24V 35A | BATTERY RECHARGER | CHARGEUR BATTERIES | LADEGERÄT | CARGADOR BATERÍAS |
| 4 | | 20812040 | 1 | SUPPORTO CARICABATTERIE | SUPPORT RECHARGER | SUPPORT DU CHARGEUR | HALTERUNG LADEGERÄT | SOPORTE CARGADOR |
| 5 | | 60100501 | 4 | VITE M5x16 TTQST - UNI 5732 | SCREW | VIS | SCHRAUBE | TORNILLO |
| 6 | | 60140402 | 1 | VITE M4x10 TCTC - UNI 7687 | SCREW | VIS | SCHRAUBE | TORNILLO |
| 7 | | 63714002 | 1 | SUPPORTO AD OCCHIELLO | EYE SUPPORT | SUPPORT A BOUCLE | HALTERUNG MIT ÖSE | SOPORTE CON OJAL |
| 8 | | 60220401 | 1 | DADO M4 AUTOBL. - UNI7473 | LOCK NUT | ECROU AUTOBLQUANT | STOPMUTTER | TUERCA AUTOBLOQUEANTE |
| 9 | | 60220601 | 3 | DADO M6 AUTOBL. - UNI7474 | LOCK NUT | ECROU AUTOBLQUANT | STOPMUTTER | TUERCA AUTOBLOQUEANTE |
| 10 | | 60305001 | 4 | RONDELLA Ø5x10 - UNI 6592 | WASHER | RONDELLE | UNTERLAGSCHEIBE | ARANDELA |
| 11 | | 60220502 | 4 | DADO M5 AUTOBL. - UNI7474 | LOCK NUT | ECROU AUTOBLQUANT | STOPMUTTER | TUERCA AUTOBLOQUEANTE |
| 12 | | 62405001 | 1 | PIEDINO ANTIVIBRANTE Ø20x7-M6x15 | CAP VIBRATION-DAMPING | BOUCHON ANTIVIBRANT | DÄMMUNGSSTOPFEN | TAPÓN ANTIVIBRANTE |
| 13 | | 61940003 | 1 | COLLARE PER GUAINA Ø10 | COLLAR FOR SHEATH | COLLIER POUR GAINE | BUNDRING SCHUTZMANTEL | COLLAR PAR VAINA |
| 14 | | 60505002 | 1 | RONDELLA 5 GROWER - UNI 1751B | LOCK WASHER | RONDELLE FREIN | ZAHNSCHEIBE | ARANDELA DENTADA |
| 15 | | 60305003 | 1 | RONDELLA Ø5x15 - UNI 6593 | WASHER | RONDELLE | UNTERLAGSCHEIBE | ARANDELA |
| 16 | | 60140510 | 1 | VITE M5x10 TCTC - UNI 7474 | SCREW | VIS | SCHRAUBE | TORNILLO |
| 17 | | V0800001 | 1 | KIT CARICABATTERIE BORDO | BATTERY RECHARGER ASSY | CHARGEUR BATTERIES COMPLET | LADEGERÄT KOMPLETT | CARGADOR BATERÍAS COMPLETO |

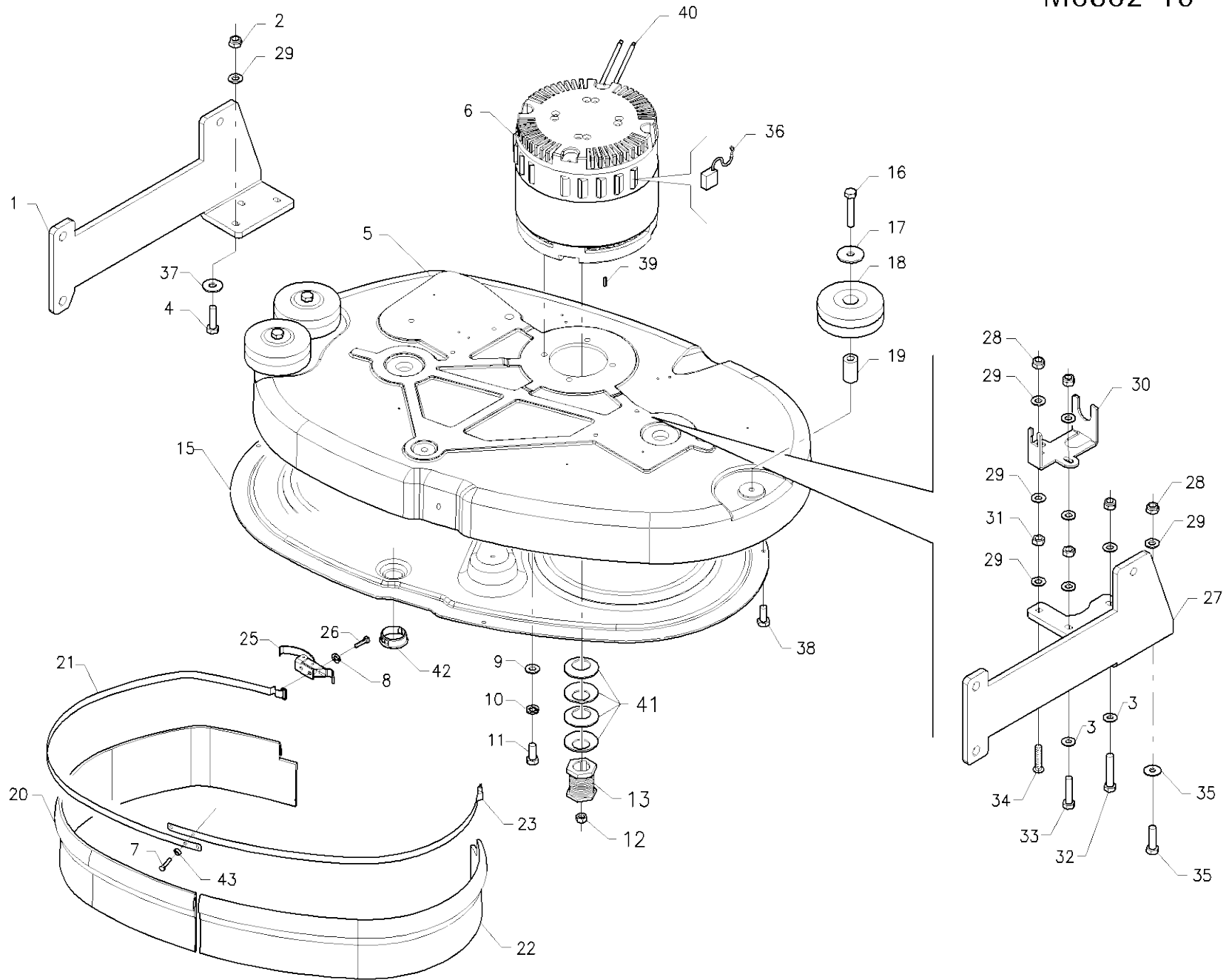


GRUPPO TELAIO

FRAME ASSEMBLY • GROUPE DE CHASSIS • GRUPPE CHASSIS • GRUPO BASTIDOR

M0801-10 R00

| Pos. | S/N | Codice | Q.tà | Denominazione | Description | Description | Benennung | Descripción |
|------|-----|----------|------|------------------------------------|---------------------|---------------------------|------------------------|------------------------|
| 1 | | 48708010 | 1 | GOMMA PARAURTI | BUMPER PROFILE | PROFIL DE PARE-CHOCS | STOSSDÄMPFERGUMMI | PERFIL DE PARACHOQUES |
| 2 | | 20811090 | 2 | LISTELLO LATERALE PARAURTI | SIDE BLADE | LAME LATERALE | SEITLICHE LEISTE | LISTÓN LATERAL |
| 3 | | 20811080 | 1 | LISTELLO ANTERIORE PARAURTI | FRONT BLADE | LAME AVANT | VORDERE LEISTE | LISTÓN DELANTERO |
| 4 | | 60190425 | 7 | VITE Ø 4,8x19 AUTOF. TC - UNI 6954 | SCREW | VIS | SCHRAUBE | TORNILLO |
| 5 | | 20811100 | 2 | TERMINALE PROFILO PARAURTI | FINAL PART BUMPER | BOUT DE PARE-CHOCS | ENDSTÜCK STOSSDÄMPFER | FINAL PARACHOQUES |
| 6 | | 60100505 | 8 | VITE M5x12 TBEI - ISO 7380 | SCREW | VIS | SCHRAUBE | TORNILLO |
| 7 | | 20811300 | 1 | CARTER PARAURTI | COVER BUMPER | CARTER PARE-CHOCS | ABDECKUNG STOSSDÄMPFER | CÁRTER PARACHOQUES |
| 8 | | 60250602 | 4 | DADO M6 SP. 2 IN GABBIA 836-B | NUT | ECROU | MUTTER | TUERCA |
| 9 | | 60110809 | 4 | VITE M8x25 TE - UNI 5739 | SCREW | VIS | SCHRAUBE | TORNILLO |
| 10 | | 60309002 | 4 | RONDELLA Ø8x24 - UNI 6593 | WASHER | RONDELLE | UNTERLAGSCHEIBE | ARANDELA |
| 11 | | 60508001 | 2 | RONDELLA Ø8 GROWER - DIN 127B | LOCK WASHER | RONDELLE FREIN | ZAHNSCHEIBE | ARANDELA DENTADA |
| 12 | | 60110612 | 2 | VITE M6x20 TE - UNI 5739 | SCREW | VIS | SCHRAUBE | TORNILLO |
| 13 | | 60506005 | 2 | RONDELLA Ø6 GROWER - DIN 127 | LOCK WASHER | RONDELLE FREIN | ZAHNSCHEIBE | ARANDELA DENTADA |
| 14 | | 60306007 | 2 | RONDELLA Ø6x18 - UNI 6593 | WASHER | RONDELLE | UNTERLAGSCHEIBE | ARANDELA |
| 15 | | 20811310 | 1 | PEDANA POGGIAPIEDI | BOTTOM PLATE | REPOSE PIED | BODENBLECH | PLATAFORMA |
| 16 | | 60180603 | 4 | VITE M6x16 TPSEI - UNI 5933 INOX | SCREW INOX | VIS INOX | SCHRAUBE INOX | TORNILLO INOX |
| 17 | | 63416004 | 1 | PEDALE COMANDO MARCIA ELETTR. | PEDAL DRIVE CONTROL | PEDALE COMMANDE DE MARCHE | PEDAL FAHRBETÄTIGUNG | PEDAL DE MANDO MARCHA |
| 18 | | 63499015 | 1 | MOLLA PEDALE | SPRING | RESSORT | FEDER | RESORTE |
| 19 | | 63409007 | 1 | MICROINTERRUPTORE PEDALE | MICROSWITCH | MICROINTERRUPTEUR | MIKROSCHALTER | MICROINTERRUPTOR |
| 20 | | 63499016 | 1 | POTENZIOMETRO PEDALE | POTENTIOMETER | POTENTIOMETRE | POTENTIOMETER | POTENCIOMETRO |
| 21 | | 60180502 | 4 | VITE M5x12 TPSEI - UNI 5933 INOX | SCREW INOX | VIS INOX | SCHRAUBE INOX | TORNILLO INOX |
| 22 | | 62406021 | 4 | DISTRANZIALE ESAGONALE M5x25 | SPACER HEXAGONAL | ENTRETOISE HEXAGONAL | SECHSKANT DISTANZHÜLSE | DISTANCIADOR HEXAGONAL |
| 23 | | 60220502 | 4 | DADO M5 AUTOBL. - UNI 7474 | LOCK NUT | ECROU AUTOBLOQUANT | STOPMUTTER | TUERCA AUTOBLOQUEANTE |
| 24 | | 48003500 | 1 | SOTTOFONDO BATTERIE | BATTERY BASE | BAC LOGEMENT BATTERIES | BATTERIEKASTEN | PLACA ASIENTO BATERÍAS |
| 25 | | 60180603 | 4 | VITE M6x16 TPSEI - UNI 5933 INOX | SCREW INOX | VIS INOX | SCHRAUBE INOX | TORNILLO INOX |
| 26 | | 47630610 | 1 | TUBO Ø13x160 LAGUNA VERDE | HOSE | TUYAU | SCHLAUCH | TUBO DE GOMA |
| 27 | | 20701080 | 1 | TAPPO NYLON NERO Ø13,5 | CAP | CAPUCHON | KAPPE | TAPÓN |
| 28 | | 60250804 | 2 | DADO M8 SP. 4 IN GABBIA 835-D | NUT | ECROU | MUTTER | TUERCA |
| 29 | | 46108300 | 1 | TELAIO | FRAME | CHASSIS | CHASSIS | BASTIDOR |
| 30 | | 60220801 | 2 | DADO M8 AUTOBL. - UNI 7474 | LOCK NUT | ECROU AUTOBLOQUANT | STOPMUTTER | TUERCA AUTOBLOQUEANTE |
| 31 | | 63714001 | 4 | SUPPORTO A SELLA | SUPPORT | SUPPORT | HALTERUNG | SOPORTE |
| 32 | | 60140501 | 4 | VITE M5x8 TCTC - UNI 7687 | SCREW | VIS | SCHRAUBE | TORNILLO |

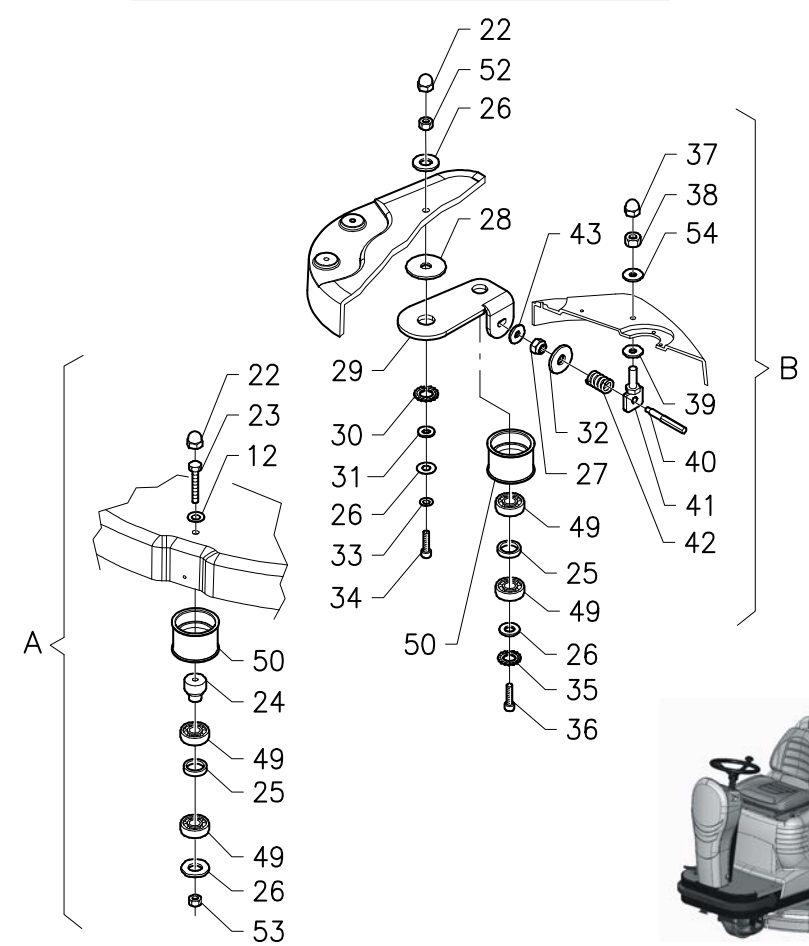
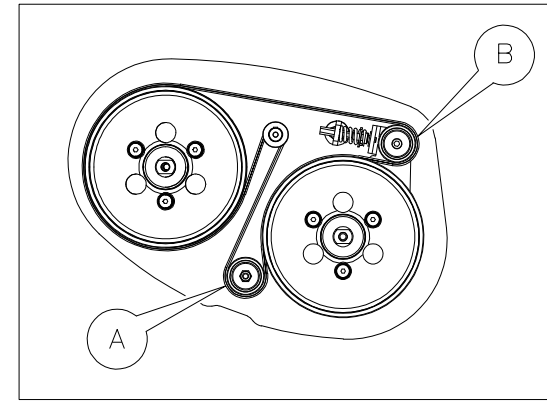
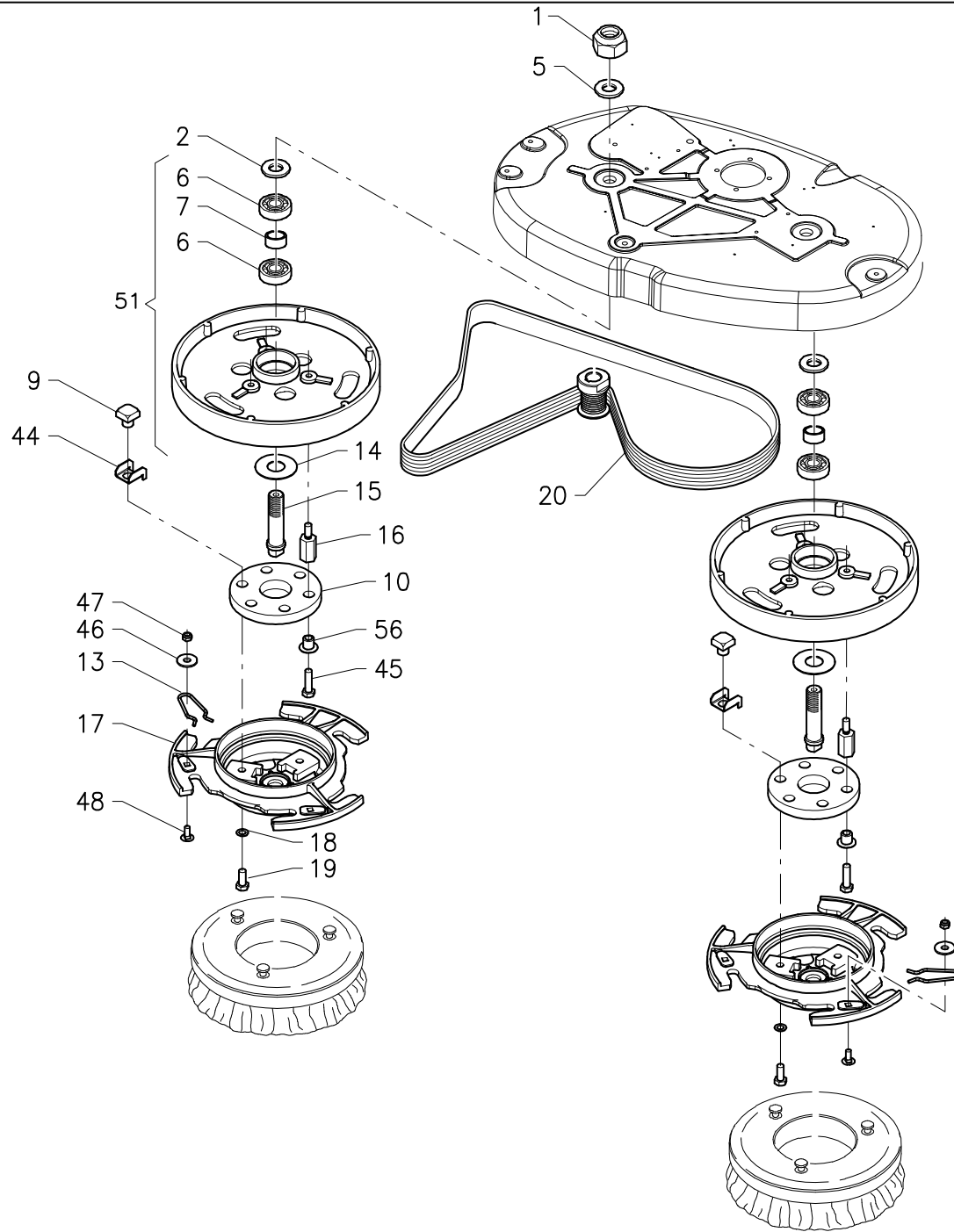


GRUPPO BASAMENTO

BRUSHES BASE ASSEMBLY • GROUPE D'EMBASE DES BROSSES • GRUPPE BÜRSTENGEHÄUSE • GRUPO BANCADA DE LOS CEPILLOS

M0802-10 R01

| Pos. | S/N | Codice | Q.tà | Denominazione | Description | Description | Benennung | Descripción |
|------|-----|----------|------|--|--------------------------|------------------------------|------------------------------|------------------------------|
| 1 | | 20802010 | 1 | ATTACCO BASAMENTO DX | BASE COUPLING RIGHT | ATTAQUE D'EMBASE DROITE | HALTERUNG BÜRSTENGEH. RECHTS | SOPORTE BANCADA DERECHO |
| 2 | | 60220604 | 3 | DADO M6 AUTOBL. - UNI 7473 INOX | LOCK NUT INOX | ECROU AUTOBLOQUANT INOX | STOPMUTTER INOX | TUERCA AUTOBLOQUEANTE INOX |
| 3 | | 60306007 | 2 | RONDELLA Ø6x18 - UNI 6593 | WASHER | RONDELLE | UNTERLAGSCHEIBE | ARANDELA |
| 4 | | 60110618 | 3 | VITE M6x30 TE - UNI 5739 INOX | SCREW INOX | VIS INOX | SCHRAUBE INOX | TORNILLO INOX |
| 5 | | 48508030 | 1 | BASAMENTO CON INSERTI | BRUSHES BASE | EMBASE DES BROSSES | BÜRSTENGEHÄUSE | BANCADA DE LOS CEPILLOS |
| 6 | | 46220170 | 1 | MOTORE 24V-650W | MOTOR | MOTEUR | MOTOR | MOTOR |
| 7 | | 60110510 | 1 | VITE M5x25 TE - UNI 5739 INOX | SCREW INOX | VIS INOX | SCHRAUBE INOX | TORNILLO INOX |
| 8 | | 60505003 | 2 | RONDELLA DENT. Ø5 - DIN 6798/A INOX | LOCK WASHER | RONDELLE FREIN | ZAHNSCHEIBE | ARANDELA DENTADA |
| 9 | | 60308004 | 4 | RONDELLA Ø8x17 - UNI 6592 HH | WASHER | RONDELLE | UNTERLAGSCHEIBE | ARANDELA |
| 10 | | 60508001 | 4 | RONDELLA Ø8 GROWER - DIN 127B | LOCK WASHER | RONDELLE FREIN | ZAHNSCHEIBE | ARANDELA DENTADA |
| 11 | | 60110807 | 4 | VITE M8x20 TE - UNI 5739 | SCREW | VIS | SCHRAUBE | TORNILLO |
| 12 | | 60221002 | 1 | DADO M10 AUTOBL. - UNI 7474 | LOCK NUT | ECROU AUTOBLOQUANT | STOPMUTTER | TUERCA AUTOBLOQUEANTE |
| 13 | | 46920220 | 1 | PULEGGIA MOTORE Ø30 | MOTOR PULLEY | POULIE DE MOTEUR | RIEMENSCHLEIBE MOTOR | POLEA DE MOTOR |
| 15 | | 20202500 | 1 | CARTER BASAMENTO | BASE COVER | CARTER D'EMBASE | ABDECKUNG BÜRSTENGEHÄUSE | PROTECCIÓN BANCADA |
| 16 | | 60110822 | 3 | VITE M8x45 TE - UNI 5739-65 INOX | SCREW INOX | VIS INOX | SCHRAUBE INOX | TORNILLO INOX |
| 17 | | 60308010 | 3 | RONDELLA Ø8x32 - UNI 6593 INOX | WASHER INOX | RONDELLE INOX | UNTERLAGSCHEIBE INOX | ARANDELA INOX |
| 18 | | 46541010 | 3 | RUOTA PARACOLPI Ø 80x30 | BUMPER WHEEL | ROUE DE BUTEE | ABWEISROLLE | RUEDA PARACHOQUES |
| 19 | | 47101040 | 3 | BOCCOLA | BUSHING | BAGUE | BUCHSE | CASQUILLO |
| 20 | | 48602040 | 1 | PARASPRUZZI DX | SPLASH GUARD RIGHT | BAVETTE DE PROTECTION DROITE | SPRITZGUMMI RECHTS | PARASALPICADURAS DERECHO |
| 21 | | 20602020 | 1 | LISTELLO PARASPRUZZI DESTRO | BLADE SPLASH GUARD RIGHT | LAME BAVETTE DROITE | SPRITZGUMMILEISTE RECHTS | LISTÓN PARASALPICADURAS DER. |
| 22 | | 48608010 | 1 | PARASPRUZZI SN | SPLASH GUARD LEFT | BAVETTE DE PROTECTION GAUCHE | SPRITZGUMMI LINKS | PARASALPICADURAS IZQUIERDO |
| 23 | | 20802050 | 1 | LISTELLO PARASPRUZZI SINISTRO | BLADE SPLASH GUARD LEFT | LAME BAVETTE GAUCHE | SPRITZGUMMILEISTE LINKS | LISTÓN PARASALPICADURAS IZQ. |
| 25 | | 62200004 | 2 | CHIUSURA A LEVA INOX | CLOSING LEVER INOX | FERMETURE A LEVIER INOX | HEBELSCHLIESSUNG INOX | CIERRE A PALANCA INOX |
| 26 | | 60110506 | 2 | VITE M5x18 TE - UNI 5739 INOX | SCREW INOX | VIS INOX | SCHRAUBE INOX | TORNILLO INOX |
| 27 | | 20802020 | 1 | ATTACCO SINISTRO BASAMENTO | BASE COUPLING LEFT | ATTAQUE D'EMBASE GAUCHE | HALTERUNG BÜRSTENGEH. LINKS | SOPORTE BANCADA IZQUIERDO |
| 28 | | 60220604 | 4 | DADO M6 AUTOBL. - UNI 7473 INOX | LOCK NUT | ECROU AUTOBLOQUANT | STOPMUTTER | TUERCA AUTOBLOQUEANTE |
| 29 | | 60306008 | 11 | RONDELLA Ø6x18 - UNI 6593 INOX | WASHER INOX | RONDELLE INOX | UNTERLAGSCHEIBE INOX | ARANDELA INOX |
| 30 | | 20302540 | 1 | STAFFA DISTRIBUTORE | SUPPORT | ATTAQUE | HALTERUNG | SOPORTE FIJADOR |
| 31 | | 60210606 | 2 | DADO M6 - UNI 5587 INOX | NUT INOX | ECROU INOX | MUTTER INOX | TUERCA INOX |
| 32 | | 60110614 | 1 | VITE M6x35 TE - UNI 5739 INOX | SCREW INOX | VIS INOX | SCHRAUBE INOX | TORNILLO INOX |
| 33 | | 60110625 | 1 | VITE M6x45 TE - UNI 5739 INOX | SCREW INOX | VIS INOX | SCHRAUBE INOX | TORNILLO INOX |
| 34 | | 60100612 | 1 | VITE M6x30 TTQST - UNI 5732 INOX | SCREW INOX | VIS INOX | SCHRAUBE INOX | TORNILLO INOX |
| 35 | | 60110618 | 1 | VITE M6x30 TE - UNI 5739 INOX | SCREW INOX | VIS INOX | SCHRAUBE INOX | TORNILLO INOX |
| 36 | | 63610181 | 4 | SPAZZOLA | CARBON BRUSH MOTOR | CHARBON MOTEUR | KOHLEBÜRSTE | ESCOBILLA MOTOR |
| 37 | | 60306010 | 4 | RONDELLA Ø6x24 - UNI 6593 | WASHER | RONDELLE | UNTERLAGSCHEIBE | ARANDELA |
| 38 | | 60190317 | 9 | VITE Ø4,2x16 AUTOF. TE - UNI 6950 INOX | SCREW INOX | VIS INOX | SCHRAUBE INOX | TORNILLO INOX |
| 39 | | 60905052 | 1 | LINGUETTA MM. 5x5 - UNI 6604/A | KEY | CLAVETTE | KEIL | CLAVIJA |
| 40 | | 62511004 | 2 | TERMINALE TUB. 6 MMQ - P12 GIALLO | TERMINAL | BORNE | KABELSCHUH | TERMINAL |
| 41 | | 47251410 | 4 | MOLLA A TAZZA Ø14,3xØ34x1,2-DIN 2093 | CUPPED WASHER | RONDELLE CONCAVE | TELLERFEDER | ARANDELA CONCAVA |
| 42 | | 62030012 | 1 | TAPPO A PRESSIONE TT34 | RELEASE CAP | CAPUCHON A DECLENCHMENT | SCHNAPPVERSCHLUSS | TAPÓN |
| 43 | | 60210501 | 1 | DADO M5 - UNI 5588 INOX | NUT INOX | ECROU INOX | MUTTER INOX | TUERCA INOX |



GRUPPO TRASMISSIONE BASAMENTO

TRANSMISSION ASSY BRUSHES BASE • GROUPE DE TRANSMISSION EMBASE DES BROSSES • GRUPPE ANTRIEB BÜRSTENGEHÄUSE • GRUPO TRANSMISIÓN BANCADA CEP.

M0802-11 R00

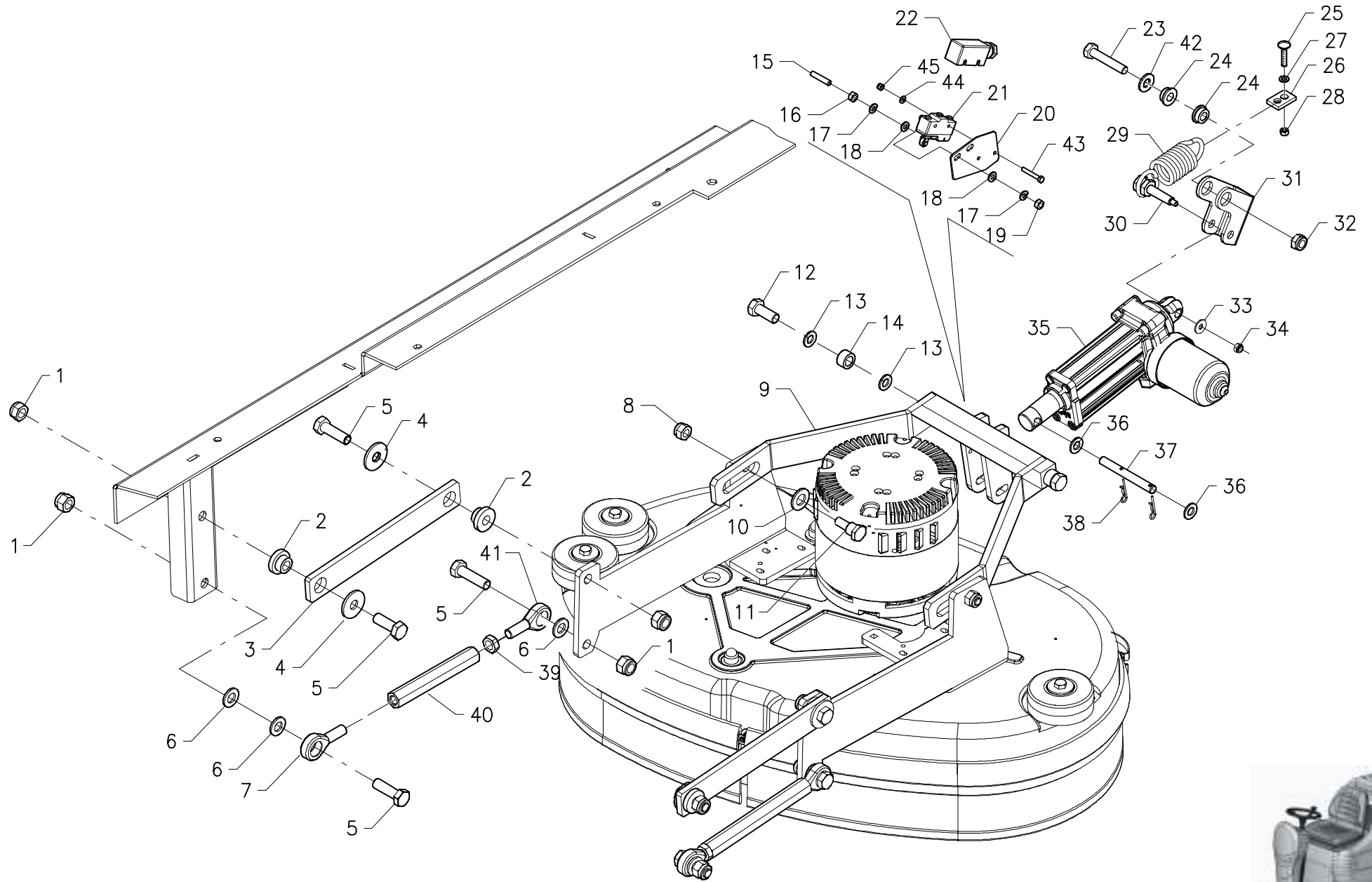
| Pos. | S/N | Codice | Q.tà | Denominazione | Description | Description | Benennung | Descripción |
|------|-----|----------|------|----------------------------------|--------------------------|----------------------------|------------------------------|----------------------------|
| 1 | | 6022001 | 2 | DADO M20 AUTOBL. - UNI 7474 | LOCK NUT | ECROU AUTOBLOQUANT | STOPMUTTER | TUERCA AUTOBLOQUEANTE |
| 2 | | 47002080 | 2 | DISTANZIALE | SPACER | ENTRETOISE | DISTANZHÜLSE | DISTANCIADOR |
| 5 | | 60321001 | 2 | RONDELLA Ø21x37 - UNI 6592 | WASHER | RONDELLE | UNTERLAGSCHEIBE | ARANDELA |
| 6 | | 61412005 | 4 | CUSCINETTO SF 6204-2RS | BEARING | ROULEMENT | LAGER | COJINETE |
| 7 | | 47001010 | 2 | DISTANZIALE | SPACER | ENTRETOISE | DISTANZHÜLSE | DISTANCIADOR |
| 9 | | 47103010 | 6 | BOCCOLA | BUSHING | BAGUE | BUCHSE | CASQUILLO |
| 10 | | 20302050 | 2 | GIUNTO ELASTICO Ø110x38x13 | FLEXIBLE COUPLING | ENTRAINEMENT ELASTIQUE | GUMMIKUPPLUNG | ACOPLAMIENTO ELÁSTICO |
| 11 | | 47103020 | 6 | BOCCOLA | BUSHING | BAGUE | BUCHSE | CASQUILLO |
| 12 | | 60308007 | 1 | RONDELLA Ø8x24 - UNI 6593 INOX | WASHER INOX | RONDELLE INOX | UNTERLAGSCHEIBE INOX | ARANDELA INOX |
| 13 | | 47230100 | 2 | MOLLA BLOCCAGGIO SPAZZOLA | BLOCKING SPRING BRUSH | RESSORT DE BLOCAGE BROSSSE | BLOCKIERUNGSFEDER BÜRSTE | RESORTE DE BLOQUEO CEPILLO |
| 14 | | 20102020 | 2 | PARAFILI | PROTECTION RING | ANNEAU DE PROTECTION | SCHUTZRING | ANILLO DE PROTECCIÓN |
| 15 | | 20202550 | 2 | ALBERO PULEGGE | PULLEY SHAFT | ARBRE DES POULIES | WELLE RIEMENSCHLEIBEN | EJE DE LAS POLEAS |
| 16 | | 20202520 | 6 | DISTANZIALE PER PIATTO | SPACER FOR PLATE | ENTRETOISE POUR PLATEAU | DISTANZHÜLSE FÜR TELLER | DISTANCIADOR PLATO |
| 17 | | 20302250 | 2 | PIATTO PORTASPAZZOLA PLASTICA | PLATE BRUSH HOLDER | PLATEAU PORTE-BROSSE | TELLER BÜRSTENTRÄGER | PLATO PORTACEPILLO |
| 18 | | 60508004 | 6 | RONDELLA CON. Ø8,5x22 DENT. INT. | CONICAL WASHER | RONDELLE CONIQUE | KONISCHE SCHEIBE | ARANDELA CÓNICA |
| 19 | | 60110808 | 6 | VITE M8x25 TE - UNI 5739 INOX | SCREW INOX | VIS INOX | SCHRAUBE INOX | TORNILLO INOX |
| 20 | | 61610014 | 1 | CINGHIA POLY V J12-1854 | BELT | COURROIE | RIEMEN | CORREA |
| 21 | | 46930010 | 2 | PULEGGIA LISCIA Ø250 | SMOOTH PULLEY | POULIE LISSE | GLATTE RIEMENSCHLEIBE | POLEA PAREJA |
| 22 | | 62040001 | 2 | COPRIDADO M8 NERO | NUT COVER BLACK | COUVRE-ECROU NOIR | MUTTERKAPPE SCHWARZ | CUBRETIERCA NEGRO |
| 23 | | 60110828 | 1 | VITE M8x60 TE - UNI 5737 INOX | SCREW INOX | VIS INOX | SCHRAUBE INOX | TORNILLO INOX |
| 24 | | 20202610 | 1 | PERNO TENDICINGHIA FISSO | PIN FIXED BELT TIGHTENER | AXE TENDEUR COURROIE FIXE | BOLZEN RIEMENSCHLEIBER FIX | PERNO TENSOR CORREA FIJO |
| 25 | | 47002070 | 2 | DISTANZIALE | SPACER | ENTRETOISE | DISTANZHÜLSE | DISTANCIADOR |
| 26 | | 60308009 | 4 | RONDELLA Ø8x32 - UNI 6593 | WASHER | RONDELLE | UNTERLAGSCHEIBE | ARANDELA |
| 27 | | 60220802 | 1 | DADO M8 AUTOBL. - UNI 7473 | LOCK NUT | ECROU AUTOBLOQUANT | STOPMUTTER | TUERCA AUTOBLOQUEANTE |
| 28 | | 47101010 | 1 | BOCCOLA | BUSHING | BAGUE | BUCHSE | CASQUILLO |
| 29 | | 20202620 | 1 | TENDICINGHIA MOBILE | BELT TIGHTENER MOVABLE | TENDEUR COURROIE MOBILE | RIEMENSCHLEIBER BEWEGLICH | TENSOR DE CORREA MÓVIL |
| 30 | | 60508002 | 1 | RONDELLA DENT. Ø8 - DIN 6798/A | LOCK WASHER | RONDELLE FREIN | ZAHNSCHLEIBE | ARANDELA DENTADA |
| 31 | | 20102210 | 1 | RONDELLA Ø8,2x30 DERLIN | WASHER | RONDELLE | UNTERLAGSCHEIBE | ARANDELA |
| 32 | | 60309002 | 1 | RONDELLA Ø8x24 - UNI 6593 | WASHER | RONDELLE | UNTERLAGSCHEIBE | ARANDELA |
| 33 | | 47250801 | 1 | MOLLA A TAZZA Ø8,2x20 - DIN 2093 | CUPPED WASHER | RONDELLE CONCAVE | TELLERFEDER | ARANDELA CONCAVA |
| 34 | | 60110810 | 1 | VITE M8x30 TE - UNI 5739 INOX | SCREW INOX | VIS INOX | SCHRAUBE INOX | TORNILLO INOX |
| 35 | | 60508001 | 1 | RONDELLA Ø8 GROWER - DIN 127B | LOCK WASHER | RONDELLE FREIN | ZAHNSCHLEIBE | ARANDELA DENTADA |
| 36 | | 60130801 | 1 | VITE M8x14 TCEI - UNI 5931 | SCREW | VIS | SCHRAUBE | TORNILLO |
| 37 | | 62040002 | 1 | COPRIDADO M10 NERO | NUT COVER BLACK | COUVRE-ECROU NOIR | MUTTERKAPPE SCHWARZ | CUBRETIERCA NEGRO |
| 38 | | 60221001 | 1 | DADO M10 AUTOBL. - UNI 7474 INOX | LOCK NUT INOX | ECROU AUTOBLOQUANT INOX | STOPMUTTER INOX | TUERCA AUTOBLOQUEANTE INOX |
| 39 | | 60311001 | 1 | RONDELLA Ø11x30 - UNI 6593 | WASHER | RONDELLE | UNTERLAGSCHEIBE | ARANDELA |
| 40 | | 20102050 | 1 | PERNO MOLLA | SPRING PIN | AXE DE RESSORT | FEDERBOLZEN | PERNO DE RESORTE |
| 41 | | 20102100 | 1 | SUPPORTO PERNO MOLLA | SUPPORT SPRING PIN | SUPPORT AXE DE RESSORT | HALTERUNG FEDERBOLZEN | SOPORTE PERNO RESORTE |
| 42 | | 47210250 | 1 | MOLLA COMPRESIONE | COMPRESSION SPRING | RESSORT DE COMPRESSION | DRUCKFEDER | RESORTE DE COMPRESIÓN |
| 43 | | 60306007 | 1 | RONDELLA Ø6x18 - UNI 6593 | WASHER | RONDELLE | UNTERLAGSCHEIBE | ARANDELA |
| 44 | | 20202540 | 6 | PIASTRA FERMO | STOP PLAQUE | PLAQUE D'ARRET | STOPBELEG | PLAQUETA DE SUJECIÓN |
| 45 | | 60110810 | 6 | VITE M8x30 TE - UNI 5739 INOX | SCREW INOX | VIS INOX | SCHRAUBE INOX | TORNILLO INOX |
| 46 | | 60306011 | 2 | RONDELLA Ø6x24 - UNI 6593 INOX | WASHER INOX | RONDELLE INOX | UNTERLAGSCHEIBE INOX | ARANDELA INOX |
| 47 | | 60220602 | 1 | DADO M6 AUTOBL. - UNI 7474 INOX | LOCK NUT INOX | ECROU AUTOBLOQUANT INOX | STOPMUTTER INOX | TUERCA AUTOBLOQUEANTE INOX |
| 48 | | 60110606 | 1 | VITE M6x14 TE - UNI 5739 INOX | SCREW INOX | VIS INOX | SCHRAUBE INOX | TORNILLO INOX |
| 49 | | 61412001 | 4 | CUSCINETTO SF. 6004-2RS1 | BEARING | ROULEMENT | LAGER | COJINETE |
| 50 | | 46930060 | 2 | PULEGGIA TENDICINGHIA Ø47 | PULLEY | POULIE | RIEMENSCHLEIBE | PULEA |
| 51 | | V0102004 | 2 | ASSIEME PULEGGIA LISCIA Ø250 | SMOOTH PULLEY ASSEMBLY | ENSEMBLE DE POULIE LISSE | GLATTE RIEMENSCHLEIBE KOMPL. | POLEA PAREJA COMPLETA |

GRUPPO TRASMISSIONE BASAMENTO

TRANSMISSION ASSY BRUSHES BASE • GROUPE DE TRANSMISSION EMBASE DES BROSSES • GRUPPE ANTRIEB BÜRSTENGEHÄUSE • GRUPO TRANSMISIÓN BANCADA CEP.

M0802-11 R00

| Pos. | S/N | Codice | Q.tà | Denominazione | Description | Description | Benennung | Descripción |
|------|-----|----------|------|----------------------------------|------------------|-------------------------|----------------------|----------------------------|
| 52 | | 60220803 | 1 | DADO M8 AUTOBL. - UNI 7474 INOX | LOCK NUT INOX | ECROU AUTOBLOQUANT INOX | STOPMUTTER INOX | TUERCA AUTOBLOQUEANTE INOX |
| 53 | | 60220802 | 1 | DADO M8 AUTOBL. - UNI 7473 | LOCK NUT | ECROU AUTOBLOQUANT | STOPMUTTER | TUERCA AUTOBLOQUEANTE |
| 54 | | 60311002 | 1 | RONDELLA Ø11x30 - UNI 6593 INOX | WASHER INOX | RONDELLE INOX | UNTERLAGSCHEIBE INOX | ARANDELA INOX |
| 55 | | 60508006 | 2 | RONDELLA Ø8 GROWER-DIN 127B INOX | LOCK WASHER INOX | RONDELLE FREIN INOX | ZAHNSCHEIBE INOX | ARANDELA DENTADA INOX |

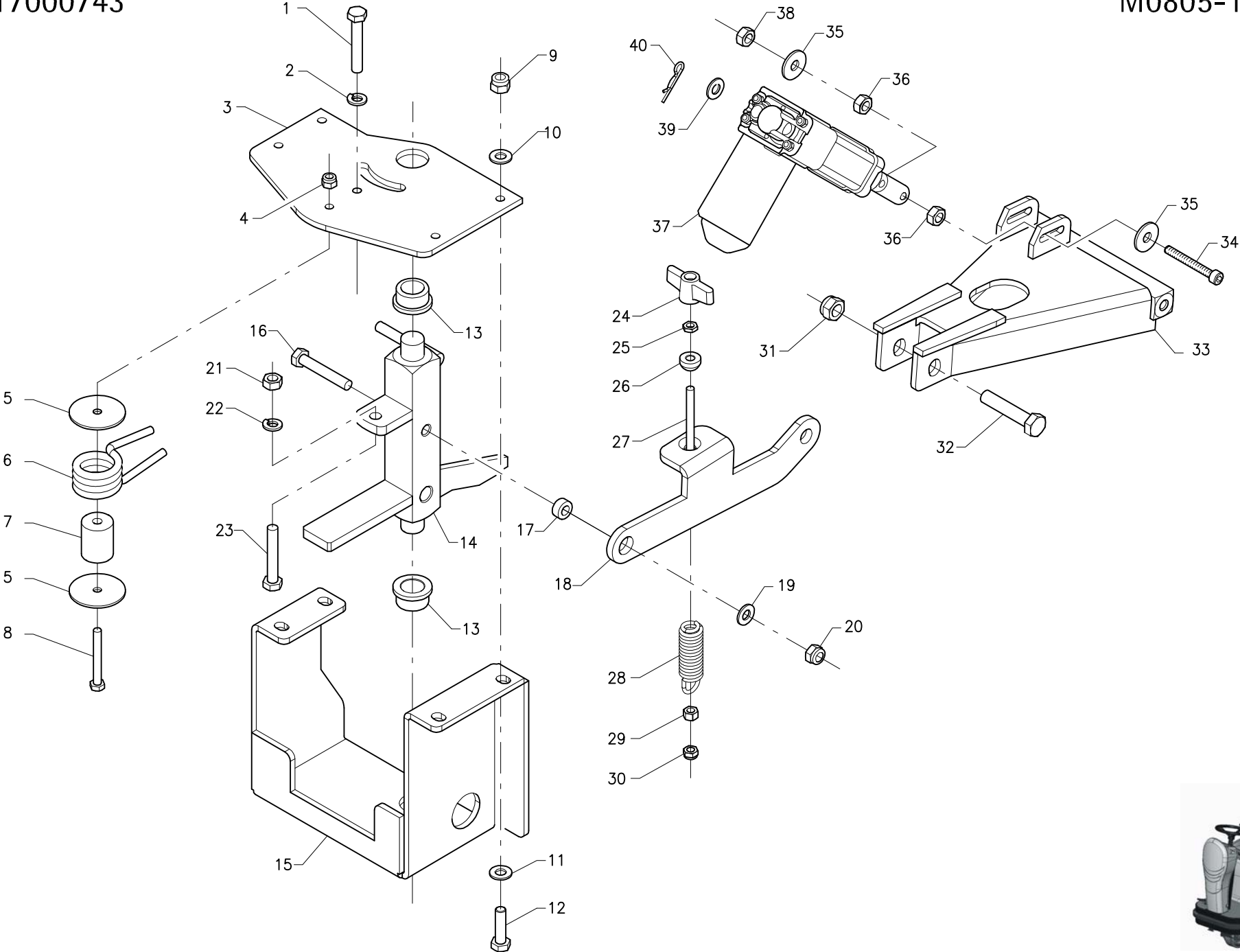


GRUPPO COMANDO BASAMENTO

BRUSHES BASE CONTROL ASSEMBLY • GROUPE COMMANDE EMBASE DES BROSSES • GRUPPE BÜRSTENBETÄTIGUNG • GRUPO MANDO BANCADA DE LOS CEPILLOS

M0803-10 R00

| Pos. | S/N | Codice | Q.tà | Denominazione | Description | Description | Benennung | Descripción |
|------|-----|----------|------|---------------------------------|--------------------------|---------------------------|----------------------------|----------------------------|
| 1 | | 60221201 | 8 | DADO M12 AUTOBL. - UNI 7474 | LOCK NUT | ECROU AUTOBLOQUANT | STOPMUTTER | TUERCA AUTOBLOQUEANTE |
| 2 | | 47108010 | 4 | BOCCOLA | BUSHING | BAGUE | BUCHSE | CASQUILLO |
| 3 | | 20803300 | 2 | BRACCIO FISSO | ARM | BRAS | ARM | BRAZO |
| 4 | | 60312005 | 4 | RONDELLA Ø12x36 - UNI 6593 | WASHER | RONDELLE | UNTERLAGSCHEIBE | ARANDELA |
| 5 | | 60111209 | 8 | VITE M12x40 TE - UNI 5739 | SCREW | VIS | SCHRAUBE | TORNILLO |
| 6 | | 60313003 | 6 | RONDELLA Ø13x24 - UNI 6592 INOX | WASHER INOX | RONDELLE INOX | UNTERLAGSCHEIBE INOX | ARANDELA INOX |
| 7 | | 61451202 | 2 | TESTA A SNODO M12 FILETTO SN | ARTICULATION HEAD | TETE ARTICULEE | KOPFGELENK | TESTA DE ARTICULACIÓN |
| 8 | | 60221003 | 2 | DADO M10 AUTOBL. - UNI 7473 | LOCK NUT | ECROU AUTOBLOQUANT | STOPMUTTER | TUERCA AUTOBLOQUEANTE |
| 9 | | 20803320 | 1 | ALBERO COMANDO BASAMENTO | SHAFT | ARBRE | WELLE | EJE |
| 10 | | 60314002 | 2 | RONDELLA Ø14x28 - UNI 6592 | WASHER | RONDELLE | UNTERLAGSCHEIBE | ARANDELA |
| 11 | | 20703350 | 2 | COLONNETTA BRACCI | STUD BOLT | COLONNETTE | SCHRAUBBOLZEN | PRISIONERO |
| 12 | | 60111202 | 2 | VITE M12x30 TE - UNI 5740 | SCREW | VIS | SCHRAUBE | TORNILLO |
| 13 | | 60513001 | 4 | RONDELLA Ø13x18 SCHNORR S | WASHER | RONDELLE | UNTERLAGSCHEIBE | ARANDELA |
| 14 | | 47103070 | 2 | BOCCOLA | BUSHING | BAGUE | BUCHSE | CASQUILLO |
| 15 | | 60160602 | 2 | GRANO M6x30 E.I. - UNI 5923 | DOWEL | VIS CYLINDRIQUE | MADENSCHRAUBE | TORNILLO |
| 16 | | 60210608 | 2 | DADO M6 - UNI 5588 | NUT | ECROU | MUTTER | TUERCA |
| 17 | | 60506004 | 4 | RONDELLA Ø6 GROWER - ASA B27 | LOCK WASHER | RONDELLE FREIN | ZAHNSCHEIBE | ARANDELA DENTADA |
| 18 | | 60306003 | 4 | RONDELLA Ø6x12 - UNI 6592 | WASHER | RONDELLE | UNTERLAGSCHEIBE | ARANDELA |
| 19 | | 60210608 | 2 | DADO M6 - UNI 5588 | NUT | ECROU | MUTTER | TUERCA |
| 20 | | 20603130 | 1 | SUPPORTO MICRO | SUPPORT MICRO SWITCH | SUPPORT MICROINTERRUPTEUR | HALTERUNG MIKROSCHALTER | SOPORTE MICROINTERRUPTOR |
| 21 | | 63409005 | 1 | MICROINTERRUPTORE MOD. AM1704 | MICROSWITCH | MICROINTERRUPTEUR | MIKROSCHALTER | MICROINTERRUPTOR |
| 22 | | 63499005 | 1 | CAPPUCCIO MICROINTERRUPTORE | CAP MICRO SWITCH | CAPUCHON MICRO-INTERRUPT. | KAPPE MIKROSCHALTER | TAPÓN MICROINTERRUPTOR |
| 23 | | 60111020 | 1 | VITE M10x50 TE - UNI 5737 | SCREW | VIS | SCHRAUBE | TORNILLO |
| 24 | | 47106020 | 2 | BOCCOLA | BUSHING | BAGUE | BUCHSE | CASQUILLO |
| 25 | | 60100802 | 1 | VITE M8x20 TTQST - UNI 5732 | SCREW | VIS | SCHRAUBE | TORNILLO |
| 26 | | 20603100 | 1 | AGGANCIAMENTO MOLLA PRESSIONE | COUPLER PRESSURE SPRING | ACCROCHAGE RESSORT PRESS. | ARRETIERUNG DRUCKFEDER | ENGANCHE RESORTE PRESIÓN |
| 27 | | 60310002 | 1 | RONDELLA Ø10,5x21 - UNI 6592 | WASHER | RONDELLE | UNTERLAGSCHEIBE | ARANDELA |
| 28 | | 60220801 | 1 | DADO M8 AUTOBL. - UNI 7474 | LOCK NUT | ECROU AUTOBLOQUANT | STOPMUTTER | TUERCA AUTOBLOQUEANTE |
| 29 | | 47220190 | 1 | MOLLA TRAZIONE | TRACTION SPRING | RESSORT DE TRACTION | ZUGFEDER | RESORTE DE TRACCIÓN |
| 30 | | 20603090 | 1 | PERNO CORPO MARTINETTO | PIN ACTUATOR BODY | AXE CORPS DU VERIN | BOLZEN KÖRPER SPINDELMOTOR | PERNO CUERPO GATO |
| 31 | | 20603140 | 1 | BILANCIERE PRESSIONE | ROCKER ARM | BALANCIER | KIPPEBEL | BALANCÍN |
| 32 | | 60221002 | 1 | DADO M10 AUTOBL. - UNI 7474 | LOCK NUT | ECROU AUTOBLOQUANT | STOPMUTTER | TUERCA AUTOBLOQUEANTE |
| 33 | | 60306007 | 1 | RONDELLA Ø6x18 - UNI 6593 | WASHER | RONDELLE | UNTERLAGSCHEIBE | ARANDELA |
| 34 | | 60220601 | 1 | DADO M6 AUTOBL. - UNI 7474 | LOCK NUT | ECROU AUTOBLOQUANT | STOPMUTTER | TUERCA AUTOBLOQUEANTE |
| 35 | | 46320035 | 1 | MARTINETTO 24 V | ACTUATOR | VERIN | SPINDELMOTOR | GATO |
| 36 | | 60310002 | 2 | RONDELLA Ø10,5x21 - UNI 6592 | WASHER | RONDELLE | UNTERLAGSCHEIBE | ARANDELA |
| 37 | | 20603030 | 1 | PERNO PISTONE MARTINETTO | PIN ACTUATOR PISTON | AXE PISTON DU VERIN | BOLZEN KOLBEN SPINDELMOTOR | PERNO PISTÓN GATO |
| 38 | | 60800003 | 2 | SPILLO Ø2,4x48 | CLIP | EPINGLE | SPLINT | ESPIGA |
| 39 | | 60211201 | 2 | DADO M12 - UNI 5589 | NUT | ECROU | MUTTER | TUERCA |
| 40 | | 20803310 | 2 | BRACCIO COMANDO BASAMENTO | ARM BRUSHES BASE CONTROL | BRAS COMMANDE DE BROSSES | ARM BÜRSTENBETÄTIGUNG | BRAZO MANDO BANCADA CEP. |
| 41 | | 61451201 | 2 | TESTA A SNODO M12 FILETTO DX | ARTICULATION HEAD | TETE ARTICULEE | KOPFGELENK | TESTA DE ARTICULACIÓN |
| 42 | | 60311001 | 1 | RONDELLA Ø11x30 - UNI 6593 | WASHER | RONDELLE | UNTERLAGSCHEIBE | ARANDELA |
| 43 | | 60110411 | 2 | VITE M4x30 TE - UNI 5739 INOX | SCREW INOX | VIS INOX | SCHRAUBE INOX | TORNILLO INOX |
| 44 | | 60304002 | 2 | RONDELLA Ø4x9 - UNI 6592 | WASHER | RONDELLE | UNTERLAGSCHEIBE | ARANDELA |
| 45 | | 60220403 | 2 | DADO M4 AUTOBL. - UNI 7474 INOX | LOCK NUT INOX | ECROU AUTOBLOQUANT INOX | STOPMUTTER INOX | TUERCA AUTOBLOQUEANTE INOX |

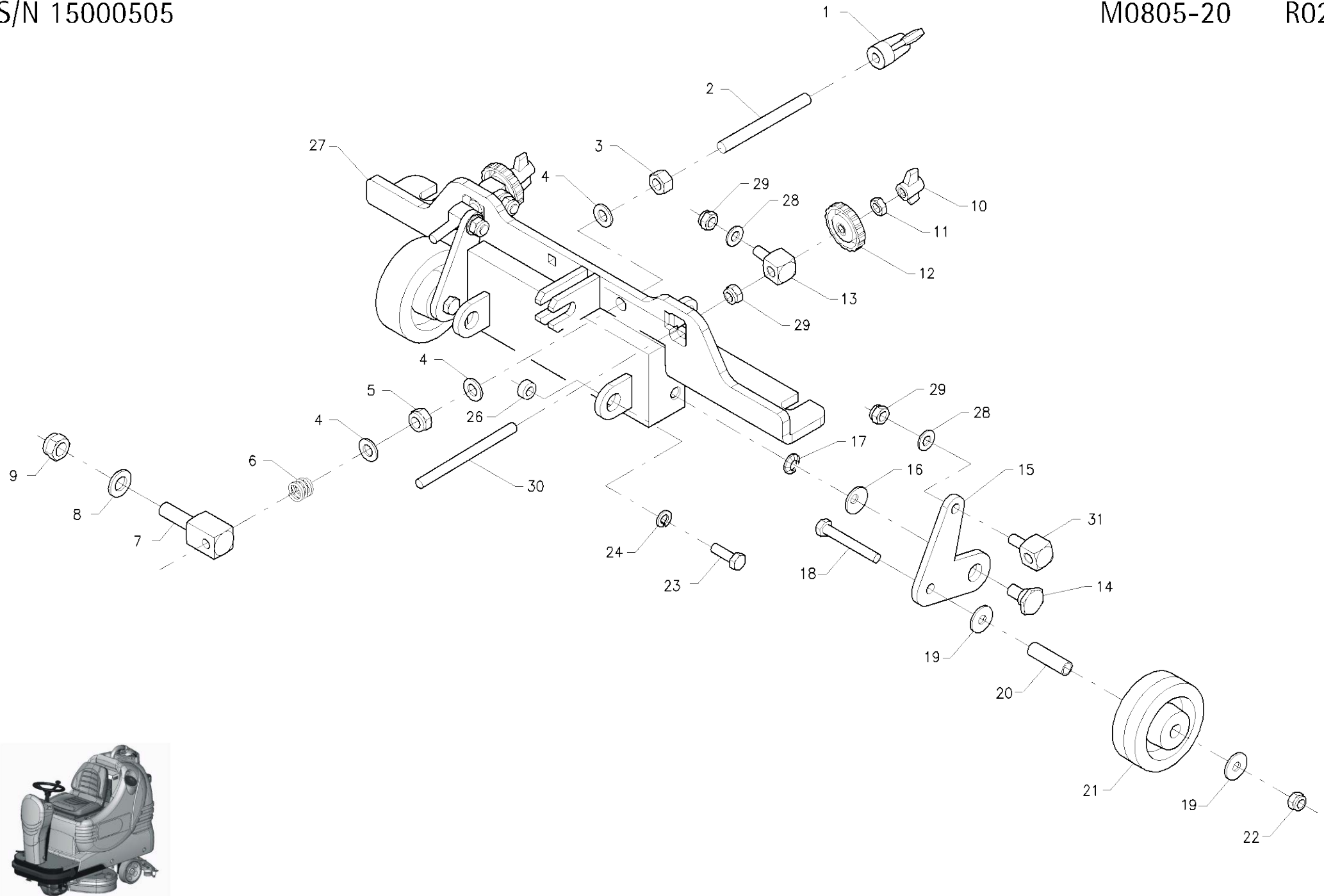


GRUPPO BRACCIO TERGIPAVIMENTO

SQUEEGEE ARM ASSEMBLY • GROUPE BRAS DE SUCEUR • GRUPE SAUGFUSSARM • GRUPO BRAZO BOQUILLA DE SECADO

M0805-10 R01

| Pos. | S/N | Codice | Q.tà | Denominazione | Description | Description | Benennung | Descripción |
|------|-----|----------|------|------------------------------------|-------------------|-------------------------|----------------------|----------------------------|
| 1 | | 60110819 | 1 | VITE M8x50 TE - UNI 5739 INOX | SCREW INOX | VIS INOX | SCHRAUBE INOX | TORNILLO INOX |
| 2 | | 60508006 | 1 | RONDELLA Ø8 GROWER - DIN 127B INOX | LOCK WASHER INOX | RONDELLE FREIN INOX | ZAHNSCHEIBE INOX | ARANDELA DENTADA INOX |
| 3 | | 20805310 | 1 | PIASTRA SNODO BRACCIO TERGI | PLAQUE ARM JOINT | PLAQUE DE JOINT BRAS | AUFLAGE ARMGELENK | PLACA ARTICULACIÓN BRAZO |
| 4 | | 60220604 | 1 | DADO M6 AUTOBL. - UNI 7473 INOX | LOCK NUT INOX | ECROU AUTOBLOQUANT INOX | STOPMUTTER INOX | TUERCA AUTOBLOQUEANTE INOX |
| 5 | | 20805070 | 2 | RONDELLA Ø45x6,5 SP. 2 | WASHER | RONDELLE | UNTERLAGSCHEIBE | ARANDELA |
| 6 | | 47230120 | 1 | MOLLA | SPRING | RESSORT | FEDER | RESORTE |
| 7 | | 47108030 | 1 | BOCCOLA | BUSHING | BAGUE | BUCHSE | CASQUILLO |
| 8 | | 60110630 | 1 | VITE M6x50 TE - UNI 5737 INOX | SCREW INOX | VIS INOX | SCHRAUBE INOX | TORNILLO INOX |
| 9 | | 60220801 | 4 | DADO M8 AUTOBL. - UNI 7474 | LOCK NUT | ECROU AUTOBLOQUANT | STOPMUTTER | TUERCA AUTOBLOQUEANTE |
| 10 | | 60309002 | 4 | RONDELLA Ø8x24 - UNI 6593 | WASHER | RONDELLE | UNTERLAGSCHEIBE | ARANDELA |
| 11 | | 60308007 | 4 | RONDELLA Ø8x24 - UNI 6593 INOX | WASHER INOX | RONDELLE INOX | UNTERLAGSCHEIBE INOX | ARANDELA INOX |
| 12 | | 60110810 | 4 | VITE M8x30 TE UNI 5739 INOX | SCREW INOX | VIS INOX | SCHRAUBE INOX | TORNILLO INOX |
| 13 | | 47103090 | 2 | BOCCOLA | BUSHING | BAGUE | BUCHSE | CASQUILLO |
| 14 | | 20805320 | 1 | SNODO BRACCIO | ARM JOINT | JOINT DE BRAS | ARMGELENK | ARTICULACIÓN BRAZO |
| 15 | | 20805300 | 1 | STAFFA SNODO BRACCIO | SUPPORT ARM JOINT | SUPPORT DE JOINT BRAS | HALTERUNG ARMGELENK | SOPORTE ARTICULACIÓN BRAZO |
| 16 | | 60110824 | 1 | VITE M8x50 TE - UNI 5737 | SCREW | VIS | SCHRAUBE | TORNILLO |
| 17 | | 47103080 | 1 | BOCCOLA | BUSHING | BAGUE | BUCHSE | CASQUILLO |
| 18 | | 20805050 | 1 | BRACCIO TERZO PUNTO | ARM | BRAS | ARM | BRAZO |
| 19 | | 60309002 | 1 | RONDELLA Ø8x24 - UNI 6593 | WASHER | RONDELLE | UNTERLAGSCHEIBE | ARANDELA |
| 20 | | 60220801 | 1 | DADO M8 AUTOBL. - UNI 7474 | LOCK NUT | ECROU AUTOBLOQUANT | STOPMUTTER | TUERCA AUTOBLOQUEANTE |
| 21 | | 60210809 | 1 | DADO M8 - UNI 5587 INOX | NUT INOX | ECROU INOX | MUTTER INOX | TUERCA INOX |
| 22 | | 60508006 | 1 | RONDELLA Ø8 GROWER - DIN 127B INOX | LOCK WASHER INOX | RONDELLE FREIN INOX | ZAHNSCHEIBE INOX | ARANDELA DENTADA INOX |
| 23 | | 60110819 | 1 | VITE M8x50 TE - UNI 5739 INOX | SCREW INOX | VIS INOX | SCHRAUBE INOX | TORNILLO INOX |
| 24 | | 61706003 | 1 | GALLETTI GB 48 M6 | WING NUT | ECROU PAPILLON | FLÜGELMUTTER | MARIPOSA |
| 25 | | 60210601 | 1 | DADO M6 - DIN 439 INOX | NUT INOX | ECROU INOX | MUTTER INOX | TUERCA INOX |
| 26 | | 47106030 | 1 | BOCCOLA | BUSHING | BAGUE | BUCHSE | CASQUILLO |
| 27 | | 20205040 | 1 | TIRANTE M6x85 INOX | TIE ROD INOX | TIRANT INOX | ZUGSTANGE INOX | TIRANTE INOX |
| 28 | | 47220180 | 1 | MOLLA TRAZIONE | TRACTION SPRING | RESSORT DE TRACTION | ZUGFEDER | RESORTE DE TRACCIÓN |
| 29 | | 60210606 | 1 | DADO M6 - UNI 5587 INOX | NUT INOX | ECROU INOX | MUTTER INOX | TUERCA INOX |
| 30 | | 60220602 | 1 | DADO M6 AUTOBL. - UNI 7474 INOX | LOCK NUT INOX | ECROU AUTOBLOQUANT INOX | STOPMUTTER INOX | TUERCA AUTOBLOQUEANTE INOX |
| 31 | | 60221201 | 1 | DADO M12 AUTOBL. - UNI 7474 | LOCK NUT | ECROU AUTOBLOQUANT | STOPMUTTER | TUERCA AUTOBLOQUEANTE |
| 32 | | 60111210 | 1 | VITE M12x60 TE - UNI 5737 | SCREW | VIS | SCHRAUBE | TORNILLO |
| 33 | | 20805330 | 1 | BRACCIO TERGIPAVIMENTO | SQUEEGEE ARM | BRAS DE SUCEUR | SAUGFUSSARM | BRAZO BOQUILLA DE SECADO |
| 34 | | 60130615 | 1 | VITE M6x50 TCEI - UNI 5931 12.9 | SCREW | VIS | SCHRAUBE | TORNILLO |
| 35 | | 60306007 | 2 | RONDELLA Ø6x18 - UNI 6593 | WASHER | RONDELLE | UNTERLAGSCHEIBE | ARANDELA |
| 36 | | 60210811 | 2 | DADO M8 - UNI 5588 | NUT | ECROU | MUTTER | TUERCA |
| 37 | | 46320045 | 1 | MARTINETTO AO-01/M-24V | ACTUATOR | VERIN | SPINDELMOTOR | GATO |
| 38 | | 60220601 | 1 | DADO M6 AUTOBL. - UNI7474 | LOCK NUT | ECROU AUTOBLOQUANT | STOPMUTTER | TUERCA AUTOBLOQUEANTE |
| 39 | | 60308004 | 1 | RONDELLA Ø8x17 - UNI 6592 | WASHER | RONDELLE | UNTERLAGSCHEIBE | ARANDELA |
| 40 | | 60800003 | 1 | SPILLO Ø2,4x48 | CLIP | EPINGLE | SPLINT | ESPIGA |

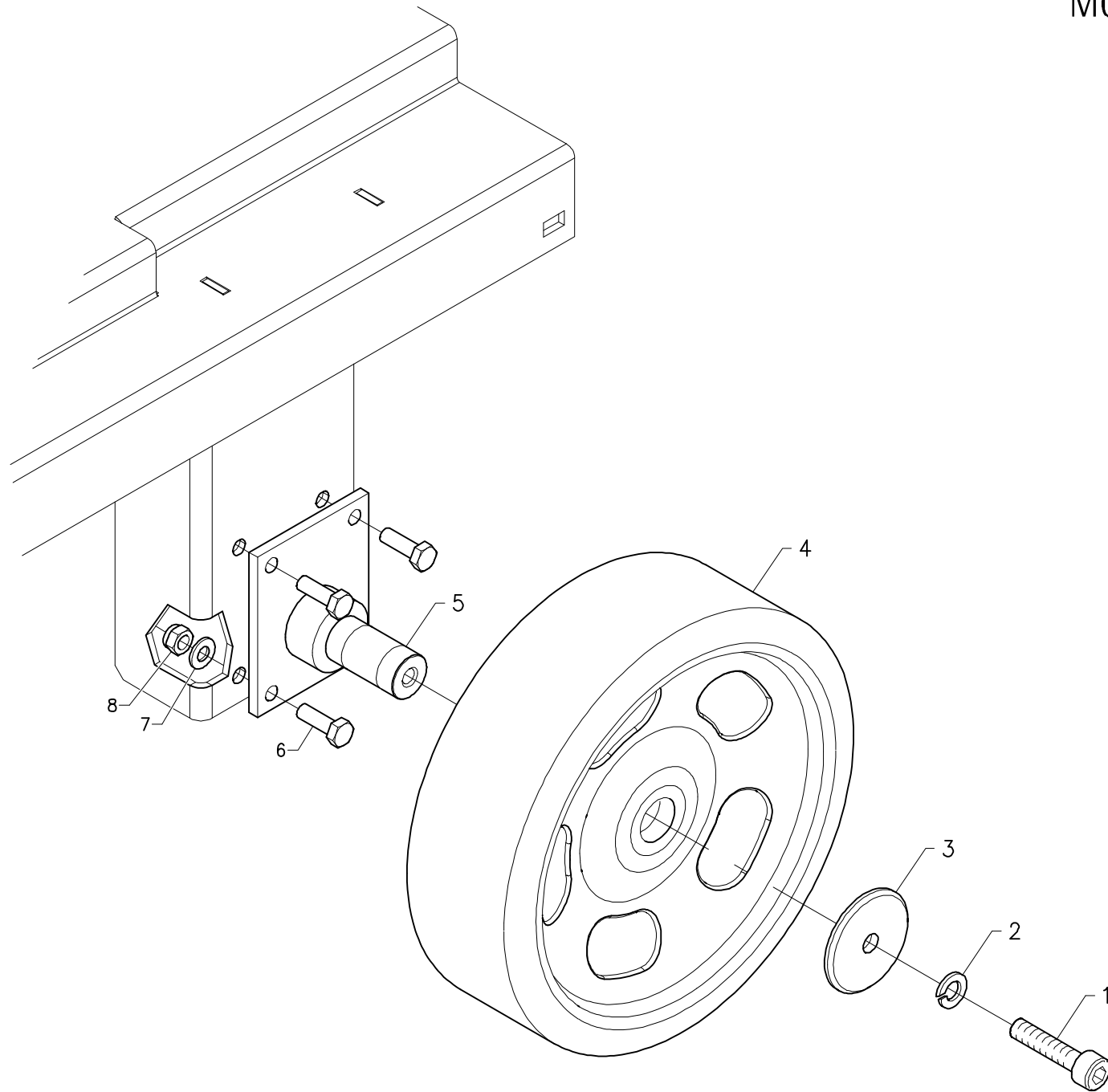


GRUPPO ATTACCO TERGIPAVIMENTO

SQUEEGEE SUPPORT ASSEMBLY • GROUPE SUPPORT DE SUCEUR • GRUPPE SAUGFUSSHALTERUNG • GRUPO SOPORTE BOQUILLA DE SECADO

M0805-20 R02

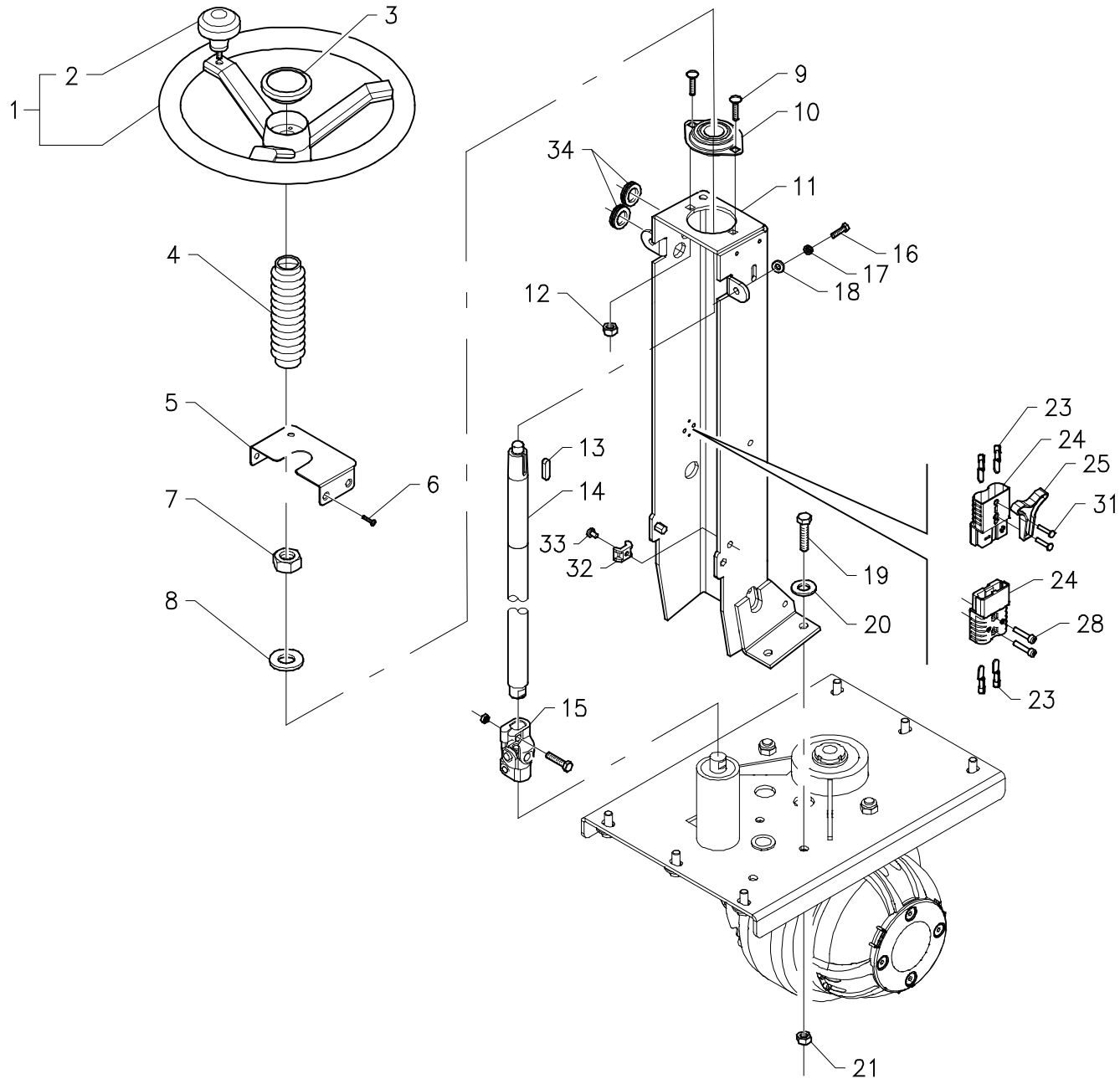
| Pos. | S/N | Codice | Q.tà | Denominazione | Description | Description | Benennung | Descripción |
|------|-----|----------|------|--|-------------------------|-----------------------------|---------------------------|----------------------------|
| 1 | | 61710004 | 1 | GALLETTO FEMMINA M10 | WING NUT | PAPILLON | FLÜGELSCHRAUBE | POMO |
| 2 | | 62406006 | 1 | BARRA FILETTATA M10x100 INOX | THREADED BAR INOX | BARRE FILETEE INOX | GEWINDESTANGE INOX | BARRA ROSCADA INOX |
| 3 | | 60211002 | 1 | DADO M10 - UNI 5589 INOX | NUT INOX | ECROU INOX | MUTTER INOX | TUERCA INOX |
| 4 | | 60310004 | 3 | RONDELLA Ø10,5 x20 UNI 6592 INOX | WASHER INOX | RONDELLE INOX | UNTERLAGSCHEIBE INOX | ARANDELA INOX |
| 5 | | 60221002 | 1 | DADO M10 AUTOBL. - UNI 7474 | LOCK NUT | ECROU AUTOBLOQUANT | STOPMUTTER | TUERCA AUTOBLOQUEANTE |
| 6 | | 47210030 | 1 | MOLLA COMPRESSIONE INOX | COMPRESSION SPRING INOX | RESSORT DE COMPRESSION INOX | DRUCKFEDER INOX | RESORTE DE COMPRESIÓN INOX |
| 7 | | 20605140 | 1 | REGISTRO FILETTATO | ADJUSTER | REGLAGE | VERSTELLSCHRAUBE | REGULADOR |
| 8 | | 60313003 | 1 | RONDELLA Ø13x24 - UNI 6592 INOX | WASHER INOX | RONDELLE INOX | UNTERLAGSCHEIBE INOX | ARANDELA INOX |
| 9 | | 60221202 | 1 | DADO M12 AUTOBL. - UNI 7474 INOX | LOCK NUT INOX | ECROU AUTOBLOQUANT INOX | STOPMUTTER INOX | TUERCA AUTOBLOQUEANTE INOX |
| 10 | | 61708009 | 2 | GALLETTO GB34 M8 | WING NUT | ECROU PAPILLON | FLÜGELMUTTER | MARIPOSA |
| 11 | | 60210806 | 2 | DADO M8 - UNI 5589 INOX | NUT INOX | ECROU INOX | MUTTER INOX | TUERCA INOX |
| 12 | | 61708001 | 2 | VOLANTINO VP40 M8 F.P. | HANDWHEEL | VOLANT | HANDRAD | RUEDA DE MANIOBRA |
| 13 | | 20305220 | 2 | REGISTRO FORATO | DRILLED ADJUSTER | REGISTRE FORE | GEBOHRTE VERSTELLSCHRAUBE | REGULADOR PERFORADO |
| 14 | | 20305100 | 2 | PERNO STAFFA RUOTINA | PIN WHEEL SUPPORT | AXE SUPPORT DE ROUE | BOLZEN RADHALTERUNG | PERNO SOPORTE RUEDA |
| 15 | | 20805350 | 2 | STAFFA RUOTINA | WHEEL SUPPORT | ATTAQUE DE ROUE | RADHALTERUNG | SOPORTE RUEDA |
| 16 | | 47251601 | 2 | MOLLA A TAZZA Ø16,3xØ31,5x,25 - DIN 2093 | CUPPED WASHER | RONDELLE CONCAVE | TELLERFEDER | ARANDELA CONCAVA |
| 17 | | 60510008 | 2 | RONDELLA SCHNORR Ø10x16 | WASHER SCHNORR | RONDELLE SCHNORR | UNTERLAGSCHEIBE SCHNORR | ARANDELA SCHNORR |
| 18 | | 60110828 | 2 | VITE M8x60 TE - UNI 5737 INOX | SCREW INOX | VIS INOX | SCHRAUBE INOX | TORNILLO INOX |
| 19 | | 60308007 | 4 | RONDELLA Ø8x24 - UNI 6593 INOX | WASHER INOX | RONDELLE INOX | UNTERLAGSCHEIBE INOX | ARANDELA INOX |
| 20 | | 47103140 | 2 | BOCCOLA CROMATA PER RUOTA | BUSHING CHROMIUM-PLATED | BAGUE CHROME | BUCHSE VERCHROMT | CASQUILLO CROMADO |
| 21 | | 46511030 | 2 | RUOTA Ø80x30 GOMMA | RUBBER WHEEL | ROUE CAOUTCHOUC | GUMMIRAD | RUEDA DE GOMA |
| 22 | | 60220803 | 2 | DADO M8 AUTOBL. - UNI 7474 INOX | LOCK NUT INOX | ECROU AUTOBLOQUANT INOX | STOPMUTTER INOX | TUERCA AUTOBLOQUEANTE INOX |
| 23 | | 60110806 | 2 | VITE M8x20 TE - UNI 5739 INOX | SCREW INOX | VIS INOX | SCHRAUBE INOX | TORNILLO INOX |
| 24 | | 60508005 | 2 | RONDELLA SCHNORR Ø8 TIPO S | WASHER | RONDELLE | UNTERLAGSCHEIBE | ARANDELA |
| 26 | | 47103080 | 2 | BOCCOLA | BUSHING | BAGUE | BUCHSE | CASQUILLO |
| 27 | | 20805340 | 1 | ATTACCO TERGIPAVIMENTO | SQUEEGEE SUPPORT | SUPPORT DE SUCEUR | SAUGFUSSHALTERUNG | SOPORTE BOQUILLA DE SECADO |
| 28 | | 60308003 | 4 | RONDELLA Ø8x17 - DIN 125A INOX | WASHER INOX | RONDELLE INOX | UNTERLAGSCHEIBE INOX | ARANDELA INOX |
| 29 | | 60220803 | 6 | DADO M8 AUTOBL. - UNI 7474 INOX | LOCK NUT INOX | ECROU AUTOBLOQUANT INOX | STOPMUTTER INOX | TUERCA AUTOBLOQUEANTE INOX |
| 30 | | 62406004 | 2 | TIRANTE FILETTATO M8x100 INOX | THREADED BAR INOX | BARRE FILETEE INOX | GEWINDESTANGE INOX | BARRA ROSCADA INOX |
| 31 | | 20305210 | 2 | REGISTRO FILETTATO | THREADED ADJUSTER | REGISTRE FILETE | GEWINDESCHRAUBE | REGULADOR ROSCADO |



GRUPPO RUOTE
WHEELS • ROUES • RÄDER • -RUEDAS

M0807-10 R00

| Pos. | S/N | Codice | Q.tà | Denominazione | Description | Description | Benennung | Descripción |
|------|-----|----------|------|---------------------------------|--------------------|---------------------|---------------------|------------------------|
| 1 | | 60131004 | 2 | VITE M10x20 TCEI - UNI 5931 | SCREW | VIS | SCHRAUBE | TORNILLO |
| 2 | | 60510006 | 2 | RONDELLA Ø10 GROWER - UNI 1751B | LOCK WASHER | RONDELLE FREIN | ZAHNSCHEIBE | ARANDELA DENTADA |
| 3 | | 20807300 | 2 | RONDELLA PROTEZIONE CUSCINETTO | PROTECTION WASHER | RONDELLE DE PROTION | SCHUTZSCHEIBE | ARANDELA DE PROTECCIÓN |
| 4 | | 46524140 | 2 | RUOTA | WHEEL | ROUE | RAD | RUEDA |
| 5 | | 46708030 | 2 | SUPPORTO SEMIASSI | SUPPORT AXLE SHAFT | SUPPORT DEMI-ESSIEU | HALTERUNG ACHSWELLE | SÓPORTE SEMIEJE |
| 6 | | 60110809 | 8 | VITE M8x25 TE - UNI 5739 | SCREW | VIS | SCHRAUBE | TORNILLO |
| 7 | | 60308004 | 8 | RONDELLA Ø8x17 - UNI 6592 | WASHER | RONDELLE | UNTERLAGSCHEIBE | ARANDELA |
| 8 | | 60220801 | 8 | DADO M8 AUTOBL. - UNI 7474 | LOCK NUT | ECROU AUTOBLOQUANT | STOPMUTTER | TUERCA AUTOBLOQUEANTE |



GRUPPO STERZO

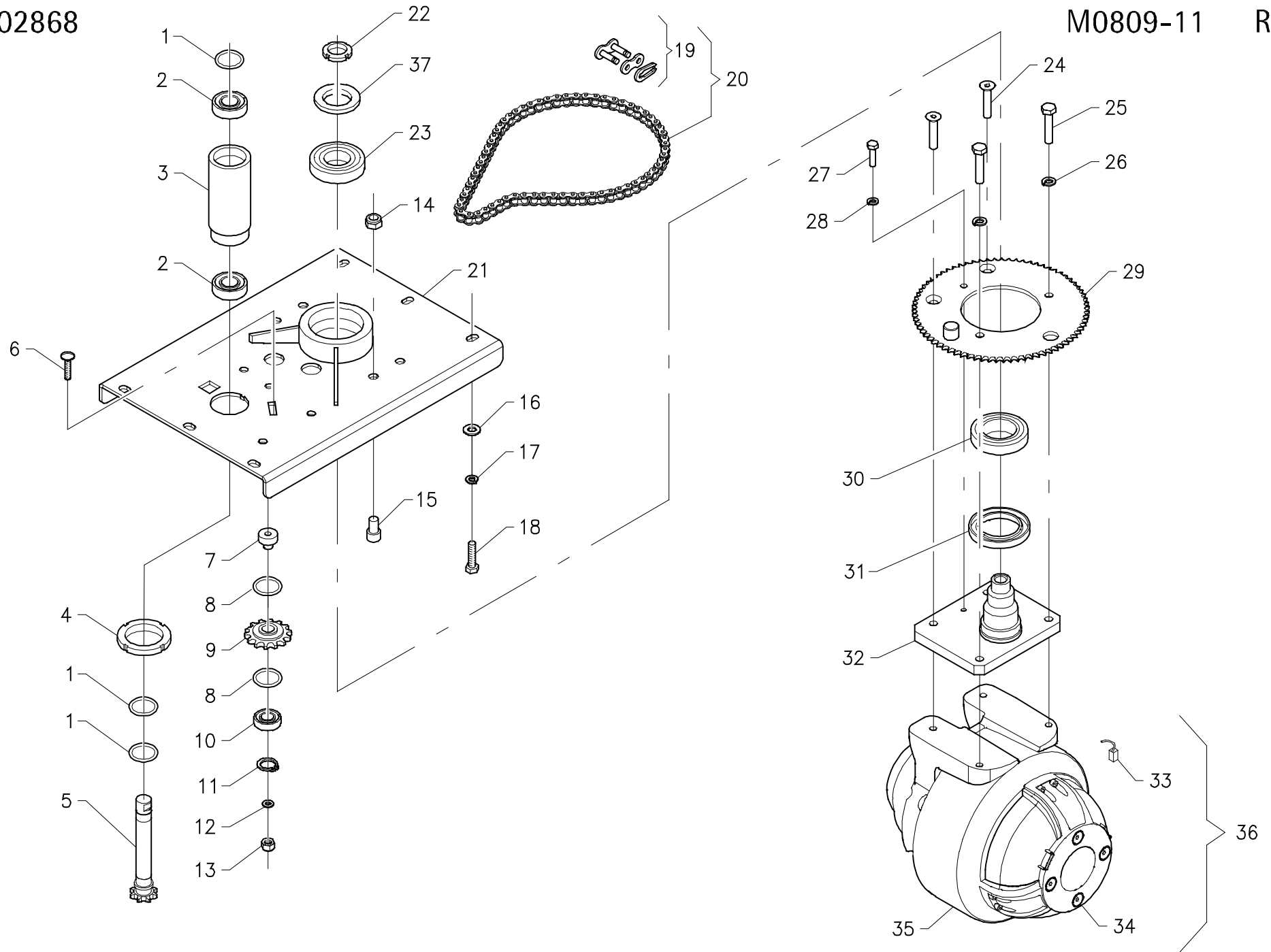
STEERING WHEEL ASSEMBLY • GROUPE DE VOLANT • GRUPPE STEUERRAD • GRUPO DIRECCIÓN

M0809-10 R02

| Pos. | S/N | Codice | Q.tà | Denominazione | Description | Description | Benennung | Descripción |
|------|-----|----------|------|---------------------------------|-----------------------|--------------------------|--------------------------|----------------------------|
| 1 | | 49206010 | 1 | VOLANTE Ø320 CON POMELLO | DRIVE WHEEL WITH KNOB | VOLANT AVEC POMMEAU | LENKRAD MIT KNOPF | VOLANTE CON POMO |
| 2 | | 62410005 | 1 | POMELLO PER VOLANTE | KNOB | POMMEAU | RENDELSCHRAUBE | POMO |
| 3 | | 62410002 | 1 | TAPPO PER VOLANTE | COVER | COUVERCLE | DECKEL | TAPA |
| 4 | | 47650020 | 1 | TUBO A SOFFIETTO GOMMA STERZO | FOLDING RUBBER HOSE | TUYAU A SOUFLLET | FALTENSCHLAUCH | TUBO DE FUELLE |
| 5 | | 20611110 | 1 | COPERTURA TELAIO ANTERIORE | COVER FRONT FRAME | COUVERTURE CHASSIS AVANT | ABDECKUNG CHASSIS VORNE | COBERTURA BASTIDOR DELANT. |
| 6 | | 60170504 | 4 | VITE M5x10 TPS+ - UNI 7688 | SCREW | VIS | SCHRAUBE | TORNILLO |
| 7 | | 60211403 | 1 | DADO M14 - UNI 5589 | NUT | ECROU | MUTTER | TUERCA |
| 8 | | 60514001 | 1 | RONDELLA CON. Ø14x32 DENT. INT. | CONICAL WASHER | RONDELLE CONIQUE | KONISCHE UNTERLAGSCHEIBE | ARANDELA CÓNICA |
| 9 | | 60100802 | 2 | VITE M8x20 TTQST - UNI 5732 | SCREW | VIS | SCHRAUBE | TORNILLO |
| 10 | | 61442501 | 1 | SUPPORTO CUSCINETTO | BEARING SUPPORT | SUPPORT DE ROULEMENT | LAGERHALTERUNG | SOPORTE COJINETE |
| 11 | | 46108500 | 1 | TELAIO ANTERIORE | FRONT FRAME | CHASSIS AVANT | CHASSIS VORNE | BASTIDOR DELANTERO |
| 12 | | 60220801 | 2 | DADO M8 AUTOBL. - UNI 7474 | LOCK NUT | ECROU AUTOBLOQUANT | STOPMUTTER | TUERCA AUTOBLOQUEANTE |
| 13 | | 60905051 | 1 | LINGUETTA MM. 5x5x20 | KEY | CLAVETTE | KEIL | CLAVIJA |
| 14 | | 20609050 | 1 | ALBERO VOLANTE | SHAFT DRIVE WHEEL | ARBRE DE VOLANT | WELLE LENKRAD | EJE VOLANTE |
| 15 | | 62407001 | 1 | GIUNTO CARDANICO | UNIVERSAL JOINT | JOINT UNIVERSEL | KREUZGELENK | ARTICULACIÓN UNIVERSAL |
| 16 | | 60110612 | 2 | VITE M6x20 TE - UNI 5739 | SCREW | VIS | SCHRAUBE | TORNILLO |
| 17 | | 60506005 | 2 | RONDELLA Ø6 GROWER - DIN 127 | LOCK WASHER | RONDELLE FREIN | ZAHNSCHEIBE | ARANDELA DENTADA |
| 18 | | 60306007 | 2 | RONDELLA Ø6x18 - UNI 6593 | WASHER | RONDELLE | UNTERLAGSCHEIBE | ARANDELA |
| 19 | | 60111006 | 4 | VITE M10x25 TE - UNI 5739 | SCREW | VIS | SCHRAUBE | TORNILLO |
| 20 | | 60311001 | 4 | RONDELLA Ø11x30 - UNI 6593 | WASHER | RONDELLE | UNTERLAGSCHEIBE | ARANDELA |
| 21 | | 60221002 | 4 | DADO M10 AUTOBL. - UNI 7474 | LOCK NUT | ECROU AUTOBLOQUANT | STOPMUTTER | TUERCA AUTOBLOQUEANTE |
| 23 | | 63130014 | 4 | CONTATTO CONNETTORE BIP. 120 A | CONTACT CONNECTOR | CONTACT DU CONNECTEUR | STECKERKONTAKT | CONTACTO CONECTOR |
| 24 | | 63110042 | 2 | CORPO CONNETTORE SB 120A ROSSO | BIPOLAR CONNECTOR | CONNECTEUR BIPOLAIRE | BIPOLARSTECKER | CONECTOR BIPOLAR |
| 25 | | 63120001 | 1 | MANETTA CONNETTORE | CONNECTOR LEVER | MANETTE CONNECTEUR | HEBEL LADESTCKER | MANETA CONECTOR |
| 28 | | 60140514 | 2 | VITE M5x25 TCTC - UNI 7687 INOX | SCREW INOX | VIS INOX | SCHRAUBE INOX | TORNILLO INOX |
| 31 | | 60190503 | 2 | VITE D.5,2x19 AUTOF.TC | SCREW | VIS | SCHRAUBE | TORNILLO |
| 32 | | 63714001 | 1 | SUPPORTO A SELLA | SUPPORT | SUPPORT | HALTERUNG | SOPORTE |
| 33 | | 60140501 | 1 | VITE M5x8 TCTC - UNI 7687 | SCREW | VIS | SCHRAUBE | TORNILLO |
| 34 | | 63713007 | 2 | PASSACAVO 15/21-30/6-13 | FAIRLEAD | PASSE-CABLE | KABELDURCHGANG | GUIACABLE |

S/N 16002868

M0809-11 R01

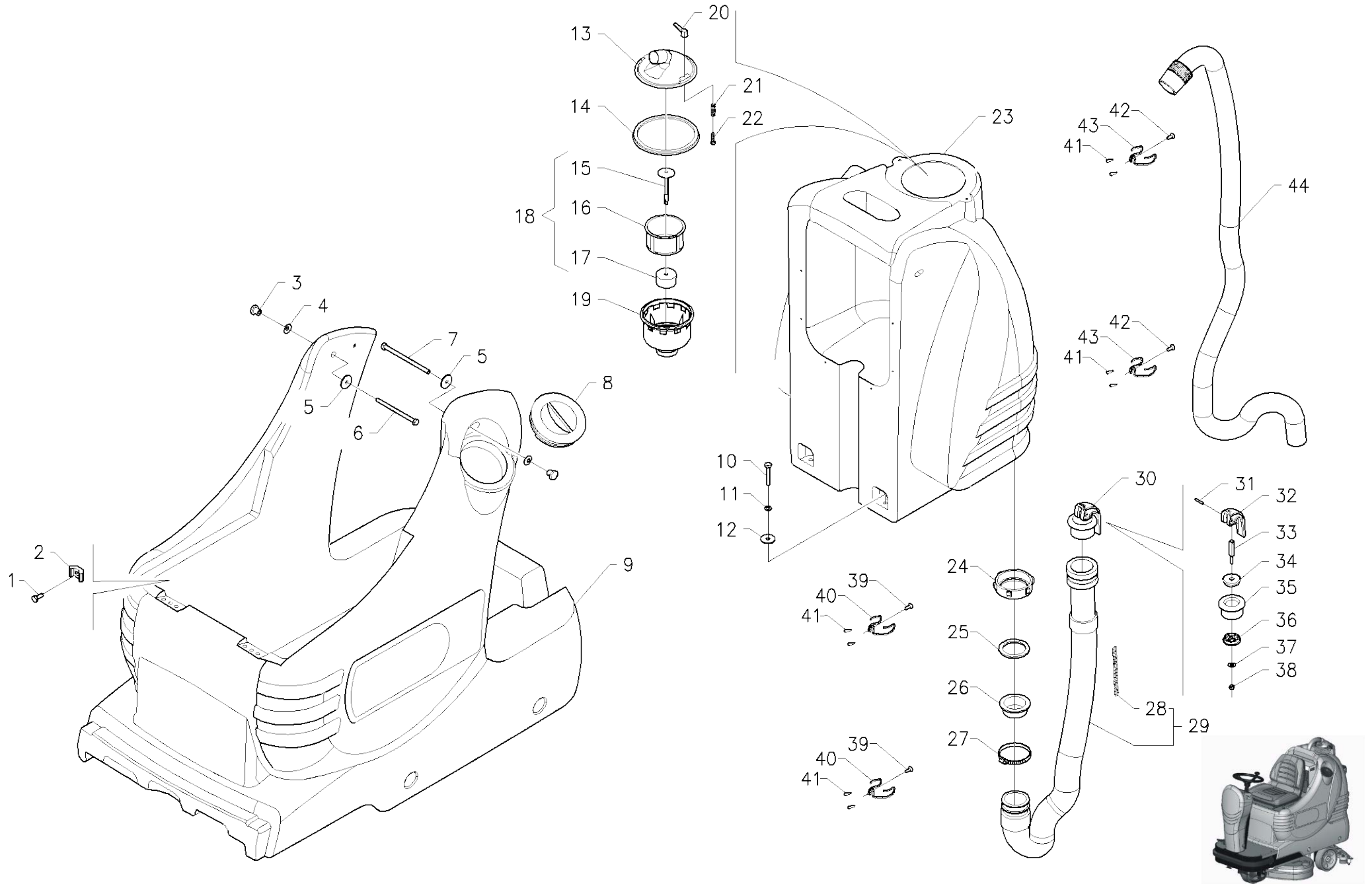


GRUPPO SUPPORTO STERZO

SUPPORT STEERING WHEEL ASSEMBLY • GROUPE SUPPORT DE VOLANT • GRUPPE HALTERUNG TEUERRAD • GRUPO SOPORTE DE LA DIRECCIÓN

M0809-11 R01

| Pos. | S/N | Codice | Q.tà | Denominazione | Description | Description | Benennung | Descripción |
|------|-----|----------|------|---------------------------------|-----------------------------|--------------------------|-------------------------|--------------------------|
| 1 | | 60428002 | 3 | SPESSORE RAM | SHIM RAM | CALE RAM | BEILAGERING RAM | ESPESOR RAM |
| 2 | | 61412001 | 2 | CUSCINETTO SF. 6004-2RS1 | BEARING | ROULEMENT | LAGER | COJINETE |
| 3 | | 20809320 | 1 | TUBO CUSCINETTI | PIPE BEARINGS | TUBE ROULEMENTS | LAGERROHR | TUBO COJINETES |
| 4 | | 60285010 | 1 | GHIERA M50 | RING NUT | EMBOUT | NUTMUTTER | TUERCA ANULAR |
| 5 | | 20809010 | 1 | ALBERO PIGNONE STERZO | SHAFT PINION STEERING WHEEL | ARBRE PIGNON DE VOLANT | WELLE RITZEL STEUERRAD | EJE PIÑON DIRECCIÓN |
| 6 | | 60100807 | 1 | VITE TTQST M8x40 - UNI 5732 | SCREW | VIS | SCHRAUBE | TORNILLO |
| 7 | | 20809030 | 1 | PERNO TENDICATENA | PIN CHAIN TIGHTENER | AXE TENDEUR DE CHAINE | BOLZEN KETTENSANNER | PERNO TENSOR DE CADENA |
| 8 | | 60428002 | 2 | SPESSORE RAM | SHIM RAM | CALE RAM | BEILAGERING RAM | ESPESOR RAM |
| 9 | | 20809050 | 1 | PIGNONE TENDICATENA | PINION CHAIN TIGHTENER | PIGNON TENDEUR DE CHAINE | RITZEL KETTENSANNER | PIÑON TENSOR DE CADENA |
| 10 | | 61411202 | 1 | CUSCINETTO SF. 6001-2RS1 | BEARING | ROULEMENT | LAGER | COJINETE |
| 11 | | 61112801 | 1 | ANELLO SEGER | SEEGER RING | SERRE CLIPS | SEEGERRING | ANILLO SEEGER |
| 12 | | 60308004 | 1 | RONDELLA Ø8x17 - UNI 6593 | WASHER | RONDELLE | UNTERLAGSCHEIBE | ARANDELA |
| 13 | | 60220801 | 1 | DADO M8 AUTOBL. - UNI 7474 | LOCK NUT | ECROU AUTOBLOQUANT | STOPMUTTER | TUERCA AUTOBLOQUEANTE |
| 14 | | 60221201 | 2 | DADO M12 AUTOBL. - UNI 7474 | LOCK NUT | ECROU AUTOBLOQUANT | STOPMUTTER | TUERCA AUTOBLOQUEANTE |
| 15 | | 60131207 | 2 | VITE M12x20 TCEI - UNI 5931 | SCREW | VIS | SCHRAUBE | TORNILLO |
| 16 | | 60311001 | 6 | RONDELLA Ø11x30 - UNI 6593 | WASHER | RONDELLE | UNTERLAGSCHEIBE | ARANDELA |
| 17 | | 60510006 | 6 | RONDELLA Ø10 GROWER - UNI 1751B | LOCK WASHER | RONDELLE FREIN | ZAHNSCHEIBE | ARANDELA DENTADA |
| 18 | | 60111006 | 6 | VITE M10x25 TE - UNI 5739 | SCREW | VIS | SCHRAUBE | TORNILLO |
| 19 | | 61520003 | 1 | GIUNTO CATENA 3/8x7/32 | JOINT CHAIN | ATTACHE RAPID CHAINE | KETTENSCHLOSS | ESLABON CADENA |
| 20 | | 61510023 | 1 | CATENA 3/8x7/32-89 PASSI | CHAIN | CHAINE | KETTE | CADENA |
| 21 | | 20809300 | 1 | SUPPORTO STERZO | SUPPORT STEERING WHEEL | SUPPORT DE VOLANT | HALTERUNG STEUERRAD | SOPORTE DIRECCIÓN |
| 22 | | 60282510 | 1 | GHIERA M25 | RING NUT | EMBOUT | NUTMUTTER | TUERCA ANULAR |
| 23 | | 61413501 | 1 | CUSCINETTO 6207 | BEARING | ROULEMENT | LAGER | COJINETE |
| 24 | | 60181001 | 2 | VITE M10x50 TPSEI - UNI 5933 | SCREW | VIS | SCHRAUBE | TORNILLO |
| 25 | | 60111020 | 2 | VITE M10x50 TE - UNI 5737 | SCREW | VIS | SCHRAUBE | TORNILLO |
| 26 | | 60510006 | 2 | RONDELLA Ø10 GROWER - UNI 1751B | LOCK WASHER | RONDELLE FREIN | ZAHNSCHEIBE | ARANDELA DENTADA |
| 27 | | 60110801 | 1 | VITE M8x12 TE - UNI 5739 | SCREW | VIS | SCHRAUBE | TORNILLO |
| 28 | | 60508001 | 1 | RONDELLA Ø8 GROWER - DIN 127B | LOCK WASHER | RONDELLE FREIN | ZAHNSCHEIBE | ARANDELA DENTADA |
| 29 | | 46820040 | 1 | CORONA STERZO | CROWN GEAR STEERING WHEEL | COURONNE DE VOLANT | ZAHNKETTENRAD STEUERRAD | CORONA DENTADA DIRECCIÓN |
| 30 | | 61424501 | 1 | CUSCINETTO A RULLI CONICO | ROLLER BEARING | ROULEMENT A BILLES | ROLLENLAGER | COJINETE A RODILLOS |
| 31 | | 61252801 | 1 | PARAOLIO | OIL SEAL | JOINT PAULSTRA | SIMMERING | ARO RASCADOR DE ACEITE |
| 32 | | 20809310 | 1 | STAFFA MOTORUOTA | SUPPORT TRACTION WHEEL | ATTAQUE DE MOTOROUE | HALTERUNG ANTRIEBSMOTOR | SOPORTE RUEDA MOTRIZ |
| 33 | | 63610185 | 4 | SPAZZOLA MOTORE | CARBON BRUSH | CHARBON MOTEUR | KOHLEBÜRSTE | ESCOBILLA MOTOR |
| 34 | | 46220510 | 1 | MOTORE | MOTOR | MOTEUR | MOTOR | MOTOR |
| 35 | | 46524160 | 1 | ANELLO GOMMATO | RUBBER WHEEL | ROUE | GUMMIRAD | RUEDA DE GOMA |
| 36 | | 46200360 | 1 | MOTORUOTA 24V 600 W | TRACTION WHEEL | MOTOROUE | ANTRIEBSMOTOR | RUEDA MOTRIZ |
| 37 | | 60324001 | 1 | RONDELLA Ø24x44 - UNI 6592 | WASHER | RONDELLE | UNTERLAGSCHEIBE | ARANDELA |

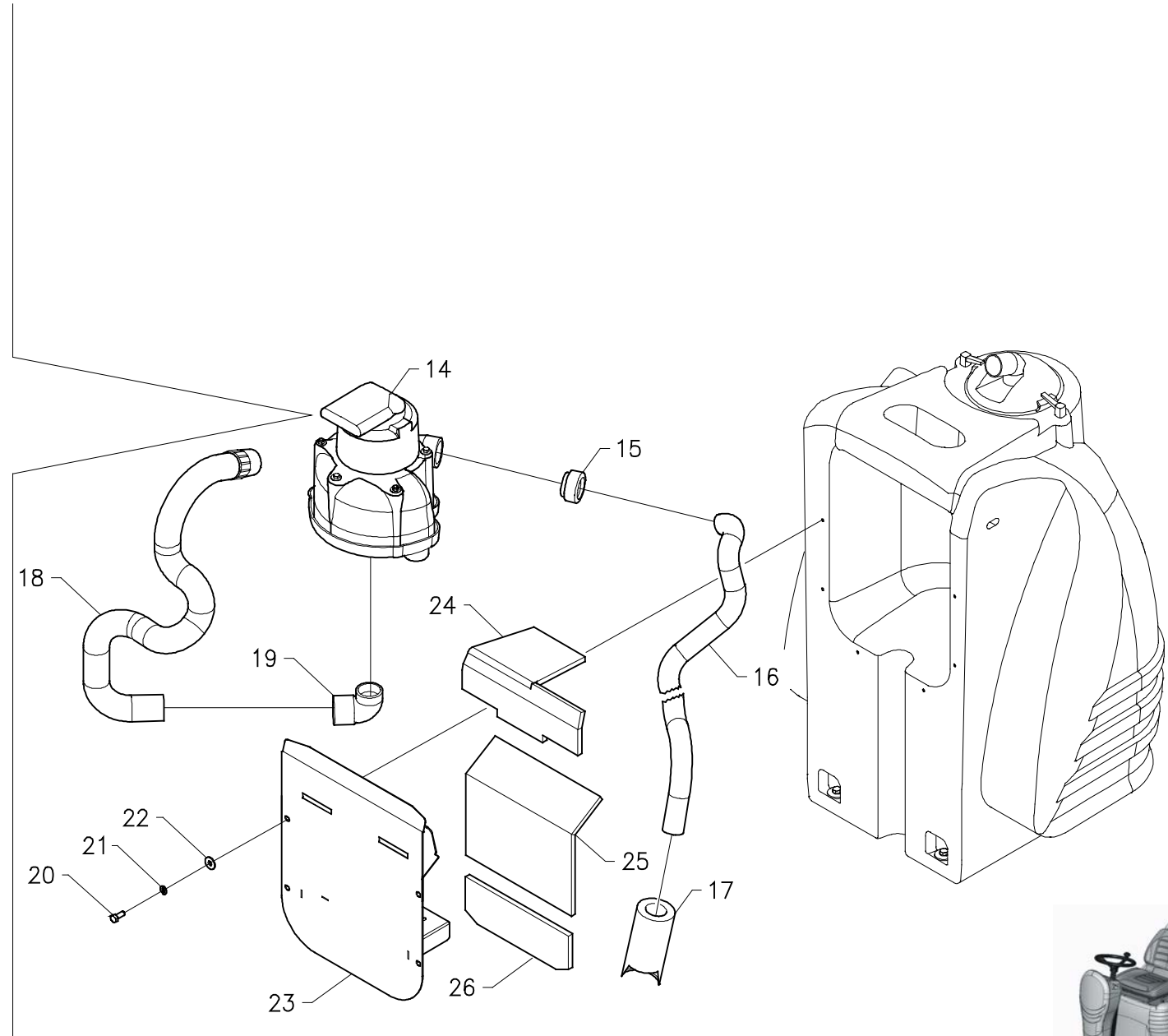
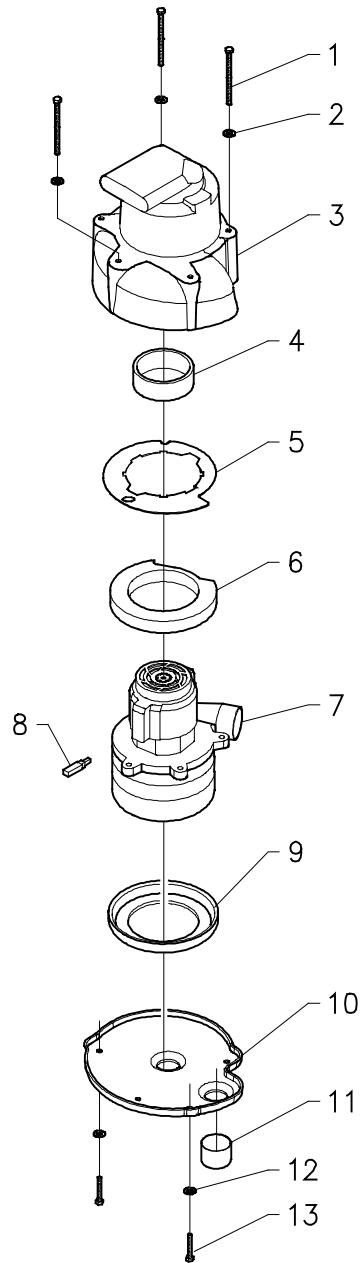


GRUPPO SERBATOI

TANKS ASSEMBLY • GROUPE DES RESERVOIRS • GRUPE TANKS • GRUPO DEPÓSITOS

M0810-10 R00

| Pos. | S/N | Codice | Q.tà | Denominazione | Description | Description | Benennung | Descripción |
|------|-----|----------|------|--|---------------------------|-----------------------------|-----------------------------|-----------------------------|
| 1 | | 60180603 | 2 | VITE M6x16 TPSEI - UNI 5933 INOX | SCREW INOX | VIS INOX | SCHRAUBE INOX | TORNILLO INOX |
| 2 | | 63714001 | 2 | SUPPORTO A SELLA | SADDLE SUPPORT | SUPPORT A SELLE | SATTELHALTERUNG | SOPORTE CON ASIENTO |
| 3 | | 47103130 | 2 | BOCCOLA | BUSHING | BAGUE | BUCHSE | CASQUILLO |
| 4 | | 60514001 | 2 | RONDELLA CON. Ø14x32 - DENT. INTERNA | CONICAL WASHER | RONDELLE CONIQUE | KONISCHE UNTERLAGSCHEIBE | ARANDELA CÓNICA |
| 5 | | 60308009 | 2 | RONDELLA Ø8x32 - UNI 6593 | WASHER | RONDELLE | UNTERLAGSCHEIBE | ARANDELA |
| 6 | | 60110842 | 1 | VITE M8x120 TE - UNI 5737 | SCREW | VIS | SCHRAUBE | TORNILLO |
| 7 | | 60110832 | 1 | VITE M8x70 TE - UNI 5739 | SCREW | VIS | SCHRAUBE | TORNILLO |
| 8 | | 62350001 | 1 | TAPPO SERBATOIO SOLUZIONE | CAP SOLUTION TANK | BOUCHON RESERVOIR SOL. | DECKEL FRISCHWASSERTANK | TAPA DEPÓSITO SOLUCIÓN |
| 9 | | 47308010 | 1 | SERBATOIO SOLUZIONE | SOLUTION TANK | RESERVOIR SOLUTION | FRISCHWASSERTANK | DEPÓSITO SOLUCIÓN |
| 10 | | 60110826 | 2 | VITE M8x55 TE - UNI 5737 | SCREW | VIS | SCHRAUBE | TORNILLO |
| 11 | | 60508001 | 2 | RONDELLA Ø8 GROWER - DIN 127B | LOCK WASHER | RONDELLE FREIN | ZAHNSCHEIBE | ARANDELA DENTADA |
| 12 | | 60308009 | 2 | RONDELLA Ø8x32 - UNI 6593 | WASHER | RONDELLE | UNTERLAGSCHEIBE | ARANDELA |
| 13 | | 20110040 | 1 | CALOTTA FILTRO | FILTER CAP | CALOTTE DE FILTRE | FILTERKAPPE | TAPA DE FILTRO |
| 14 | | 47800010 | 1 | GUARNIZIONE CALOTTA FILTRO | GASKET FILTER CAP | JOINT CALOTTE DE FILTRE | DICHTUNG FILTERKAPPE | GUARNICIÓN TAPA FILTRO |
| 15 | | 20110060 | 1 | ASTA CON PIATTELLO | ROD WITH PLATE | TIGE AVEC RONDELLE PROTECT. | STANGE MIT SCHEIBE | VARILLA CON PLATILLO |
| 16 | | 47900010 | 1 | FILTRO GALLEGGIANTE | FILTER FLOAT | FILTRE DE FLOTTEUR | SCHWIMMERFILTER | FILTRO DE FLOTADOR |
| 17 | | 20110070 | 1 | GALLEGGIANTE Ø60 | FLOAT | FLOTTEUR | SCHWIMMER | FLOTADOR |
| 18 | | V0110007 | 1 | ASSIEME FILTRO + GALLEGGIANTE | FILTER AND FLOAT ASSEMBLY | FILTRE + FLOTTEUR COMPLET | FILTER + SCHWIMMER KOMPLETT | FILTRO + FLOTADOR COMPLETO |
| 19 | | 20110050 | 1 | PROTEZIONE FILTRO | FILTER PROTECTION | PROTECTION DE FILTRE | FILTERSCHUTZ | PROTECCIÓN DE FILTRO |
| 20 | | 61820002 | 2 | LEVA DI BLOCCAGGIO M6 MOD.KFB-42 | BLOCKING LEVER | LEVIER DE BLOCAGE | BLOCKIERUNGSHEBEL | PALANCA DE BLOQUEO |
| 21 | | 47210080 | 2 | MOLLA COMPRESIONE INOX | COMPRESSION SPRING INOX | RESSORT DE COMPR. INOX | DRUCKFEDER INOX | RESORTE DE COMPR. INOX |
| 22 | | 60110618 | 2 | VITE M6x30 TE - UNI 5739 INOX | SCREW INOX | VIS INOX | SCHRAUBE INOX | TORNILLO INOX |
| 23 | | 47308020 | 1 | SERBATOIO RECUPERO | RECOVERY TANK | RESERVOIR DE RECUPERATION | SCHMUTZWASSERTANK | DEPÓSITO DE RECUPERACIÓN |
| 24 | | 62340090 | 1 | GHIERA M73x4 TUBO SCARICO | RING NUT EXHAUST HOSE | EMBOUT TUYAU DE VIDANGE | NUTMUTTER ABWASSERSCHL. | TUERCA ANULAR TUBO DE DESC. |
| 25 | | 47800040 | 1 | GUARNIZIONE TUBO SCARICO | GASKET EXHAUST HOSE | JOINT TUYAU DE VIDANGE | DICHTUNG ABWASSERSCHLAUCH | JUNTA TUBO DE DESCARGA |
| 26 | | 20610060 | 1 | FLANGIA TUBO SCARICO | FLANGE EXHAUST HOSE | FLASQUE TUYAU DE VIDANGE | FLANSCH ABWASSERSCHLAUCH | BRIDA TUBO DE DESCARGA |
| 27 | | 61930006 | 1 | FASCETTA STRINGITUBO | CLAMP HOSE WRENCH | COLLIER SERRE-TUYAU | BRIDE SCHLAUCHKLEMME | ABRAZADERA BLOQUEO TUBO |
| 28 | | 20110240 | 1 | CATENELLA TAPPO SCARICO | CHAIN | CHAINE | KETTE | CADENA |
| 29 | | 47610290 | 1 | TUBO Ø50,1x960 SCARICO | EXHAUST HOSE | TUYAU DE VIDANGE | ABWASSERSCHLAUCH | TUBO DE DESCARGA |
| 30 | | V0610001 | 1 | TAPPO SCARICO COMPLETO | EXHAUST PLUG ASSEMBLY | BOUCHON DE VIDANGE COMPL. | ABLASSPFROPFEN KOMPLETT | TAPÓN DE DESCARGA COMPLETO |
| 31 | | 60604004 | 1 | SPINA CILINDRICA Ø4x20 - UNI 1707 INOX | PARALLEL PIN INOX | GOUPILLE CYLINDRIQUE INOX | ZYLINDERSTIFT INOX | PASADOR CILÍNDRICO INOX |
| 32 | | 61820003 | 1 | MANETTA TAPPO SCARICO | LEVER EXHAUST PLUG | MANETTE BOUCHON VIDANGE | HEBEL ABLASSPFROPFEN | PALANCA TAPÓN DESCARGA |
| 33 | | 20110170 | 1 | TIRANTE TAPPO SCARICO Ø39 | TIE ROD EXHAUST PLUG | TIRANT BOUCHON DE VIDANGE | GESTÄNGE ABLASSPFROPFEN | TIRANTE TAPÓN DESCARGA |
| 34 | | 20110130 | 1 | COPERCHIO TAPPO SCARICO Ø39 | COVER EXHAUST PLUG | COUVERCLE BOUCHON VIDANGE | DECKEL ABLASSPFROPFEN | TAPA TAPÓN DESCARGA |
| 35 | | 20610040 | 1 | GOMMA TAPPO SCARICO Ø50 | RUBBER EXHAUST PLUG | GOMME BOUCHON VIDANGE | GUMMI ABLASSPFROPFEN | GOMA TAPÓN DESCARGA |
| 36 | | 20110140 | 1 | FONDELLO TAPPO SCARICO Ø39 | BOTTOM EXHAUST PLUG | FOND BOUCHON VIDANGE | BODEN ABLASSPFROPFEN | FONDO TAPÓN DESCARGA |
| 37 | | 60306008 | 1 | RONDELLA Ø6x18 - UNI 6593 INOX | WASHER INOX | RONDELLE INOX | UNTERLAGSCHEIBE INOX | ARANDELA INOX |
| 38 | | 60220604 | 1 | DADO M6 AUTOBL. - UNI 7473 INOX | LOCK NUT INOX | ECROU AUTOBLOQUANT INOX | STOPMUTTER INOX | TUERCA AUTOBLOQUEANTE INOX |
| 39 | | 60180603 | 2 | VITE M6x16 TPSEI - UNI 5933 INOX | SCREW INOX | VIS INOX | SCHRAUBE INOX | TORNILLO INOX |
| 40 | | 47230080 | 2 | MOLLA AGGANCIAMENTO MANICOTTO | SPRING MUFF COUPLER | RESSORT D'ACCROCH. MANCHON | ARRETIERUNGSFEDER MUFFE | RESORTE ENGANCHE MANGUITO |
| 41 | | 62010006 | 8 | CAPPELLOTTO | CAP | COUVERCLE | DECKEL | TAPA |
| 42 | | 60180602 | 2 | VITE M6x12 TPSEI - UNI 5933 INOX | SCREW INOX | VIS INOX | SCHRAUBE INOX | TORNILLO INOX |
| 43 | | 47230040 | 2 | MOLLA AGGANCIAMENTO MANICOTTO | SPRING MUFF COUPLER | RESSORT D'ACCROCH. MANCHON | ARRETIERUNGSFEDER MUFFE | RESORTE ENGANCHE MANGUITO |
| 44 | | 47610070 | 1 | TUBO Ø38,2x1680 TERGIPAVIMENTO | SQUEEGEE HOSE | TUYAU DE SUCEUR | SCHLAUCH SAUGFUSS | TUBO BOQUILLA DE SECADO |



GRUPPO ASPIRAZIONE

SUCTION ASSEMBLY • GROUPE DE L'ASPIRATION • GRUPPE ABSAUGUNG • GRUPO ASPIRACIÓN

M0810-11 R00

| Pos. | S/N | Codice | Q.tà | Denominazione | Description | Description | Benennung | Descripción |
|------|-----|----------|------|-----------------------------------|-----------------------------|-----------------------------|---------------------------|------------------------------|
| 1 | | 60110635 | 3 | VITE M6x130 TE - UNI 5737 | SCREW | VIS | SCHRAUBE | TORNILLO |
| 2 | | 60306007 | 3 | RONDELLA Ø6x18 - UNI 6593 | WASHER | RONDELLE | UNTERLAGSCHEIBE | ARANDELA |
| 3 | | 20810020 | 1 | CUFFIA ASPIRATORE 3 STADI | SUCTION MOTOR CASING | PROTECTEUR MOTEUR D'ASP. | ABDECKUNG SAUGMOTOR | COBERTURA MOTOR ASPIRACIÓN |
| 4 | | 48101010 | 1 | SEPARATORE ASPIRATORE | SEPARATOR SUCTION MOTOR | SEPARATEUR MOTEUR D'ASP. | SEPARATOR SAUGMOTOR | SEPARADOR MOTOR DE ASP. |
| 5 | | 20110080 | 1 | LAMIERA INTERNA PROTEZIONE ASP. | INNER PROTECTION RING | ANNEAU INTER. PROTECTION | INNERER SCHUTZRING | CHAPA INTERIOR DE PROTECCIÓN |
| 6 | | 48106020 | 1 | ANTIVIBRANTE ASPIRATORE | VIBRATION-DAMPING | ANTIVIBRANT MOTEUR D'ASP. | DÄMMSCHICHT SAUGMOTOR | ANTIVIBRANTE MOTOR ASPIR. |
| 7 | | 49320080 | 1 | MOTORE ASP. 24V 570W H.1600 CONV. | SUCTION MOTOR | MOTEUR D'ASPIRATION | SAUGMOTOR | MOTOR DE ASPIRACIÓN |
| 8 | | 63608112 | 1 | SPAZZOLA MOTORE | CARBON BRUSH MOTOR | CHARBON DE MOTEUR | KOHLEBÜRSTE MOTOR | ESCOBILLA MOTOR |
| 9 | | 47804010 | 1 | GUARNIZIONE ASPIRATORE | SUCTION MOTOR GASKET | JOINT MOTEUR D'ASPIRATION | DICHTUNGSRING SAUGMOTOR | GUARNICIÓN MOTOR ASP. |
| 10 | | 20810080 | 1 | BASE CUFFIA ASPIRATORE + INSERTI | SUCTION MOTOR BASE + INSERT | BASE MOTEUR D'ASP. + ENCART | BASIS SAUGMOTOR + EINSATZ | BASE MOTOR DE ASP. + INSERTO |
| 11 | | 62030008 | 1 | TAPPO 40x27 PT 40 | CAP | BOUCHON | DECKEL | TAPA |
| 12 | | 60306007 | 2 | RONDELLA Ø6x18 - UNI 6593 | WASHER | RONDELLE | UNTERLAGSCHEIBE | ARANDELA |
| 13 | | 60110617 | 2 | VITE M6x25 TE - UNI 5739 | SCREW | VIS | SCHRAUBE | TORNILLO |
| 14 | | V0810003 | 1 | ASSIEME ASPIRATORE | SUCTION MOTOR ASSEMBLY | GROUPE DE MOTEUR D'ASPIRAT. | GRUPPE SAUGMOTOR | GRUPO MOTOR DE ASPIRACIÓN |
| 15 | | 20810040 | 1 | MANICOTTO TUBO SCARICO | COUPLER | MANCHON | MUFFE | MANGUITO |
| 16 | | 47610160 | 1 | TUBO SCARICO ARIA | HOSE | TUYAU | SCHLAUCH | TUBO DE GOMA |
| 17 | | 47650010 | 1 | TUBO FONOASSORBENTE MM.70 ASP | DEADENING HOSE | TUYAOU INSONORISANT | SCHALLSCHLUCKER | TUBO FONOABSORBENTE |
| 18 | | 47610270 | 1 | TUBO Ø38,2x950 ASPIRATORE | SUCTION HOSE | TUYAU D'ASPIRATION | SAUGSCHLAUCH | TUBO DE ASPIRACIÓN |
| 19 | | 62320020 | 1 | RACCORDO CURVO | ELBOW | COUDE | WINKELVERSCHRAUBUNG | RACOR CODO |
| 20 | | 60110608 | 4 | VITE M6x16 TE - UNI 5739 | SCREW | VIS | SCHRAUBE | TORNILLO |
| 21 | | 60506004 | 4 | RONDELLA Ø6 GROWER - ASA B27 | LOCK WASHER | RONDELLE FREIN | ZAHNSCHEIBE | ARANDELA DENTADA |
| 22 | | 60306007 | 4 | RONDELLA Ø6x18 - UNI 6593 | WASHER | RONDELLE | UNTERLAGSCHEIBE | ARANDELA |
| 23 | | 20810010 | 1 | SUPPORTO ASPIRATORE | SUPPORT SUCTION MOTOR | SUPPORT MOTEUR D'ASPIRATION | HALTERUNG SAUGMOTOR | SOPORTE MOTOR DE ASPIRACIÓN |
| 24 | | 48108030 | 1 | FONOAASSORBENTE | DEADENING | ISOLANT PHONIQUE | SCHALLDICHTUNG | FONOAABSORBENTE |
| 25 | | 48108010 | 1 | FONOAASSORBENTE ASPIRATORE | DEADENING SUCTION | ISOLANT PHONIQUE. ASP. | SCHALLDICHTUNG | FONOAABSORBENTE MOTOR |
| 26 | | 48108020 | 1 | FONOAASSORBENTE ASPIRATORE | DEADENING SUCTION | ISOLANT PHONIQUE. ASP. | SCHALLDICHTUNG | FONOAABSORBENTE MOTOR |